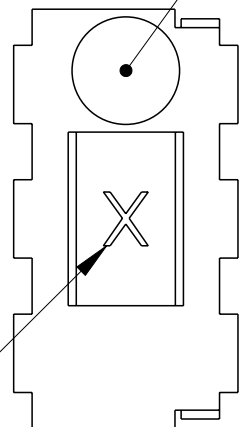
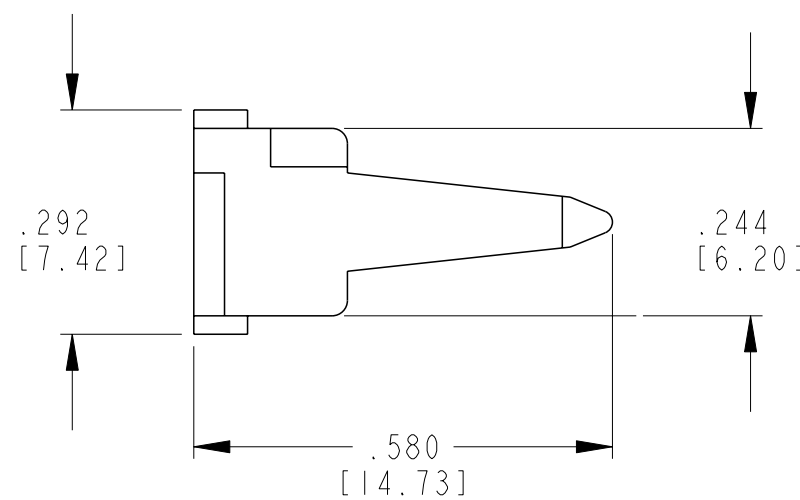
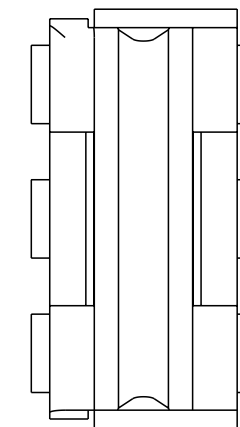
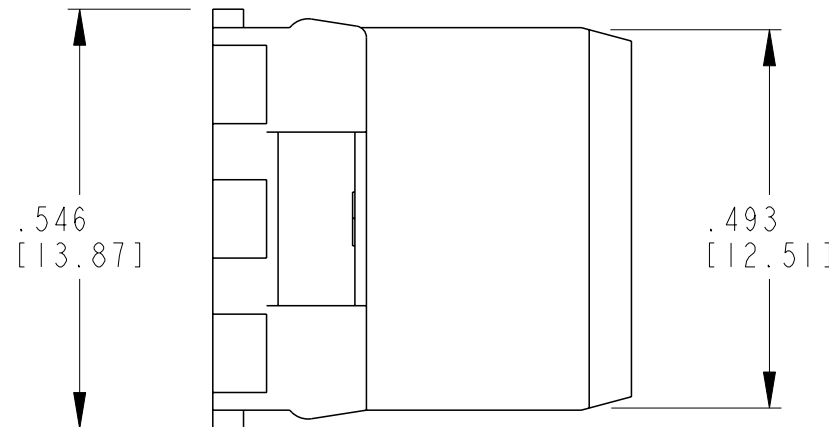
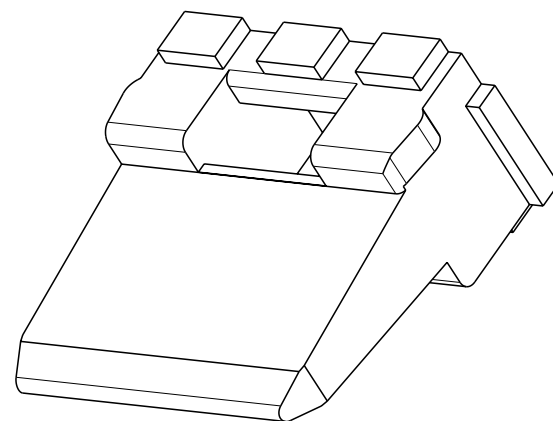


LOC	DIST	REVISIONS					
		P	LTR	DESCRIPTION	DATE	DWN	APVD
-	-		B	REVISED PER EO P21310	4-26-12	RLM	RDR
			C	REVISED PER ECO-13-013634	8-26-13	RLM	DM
			CI	REVISED PER ECO-14-005288	4-9-14	PV	DM
			G	REVISED PER PCN-23-190134	29SEP2023	GB	CB

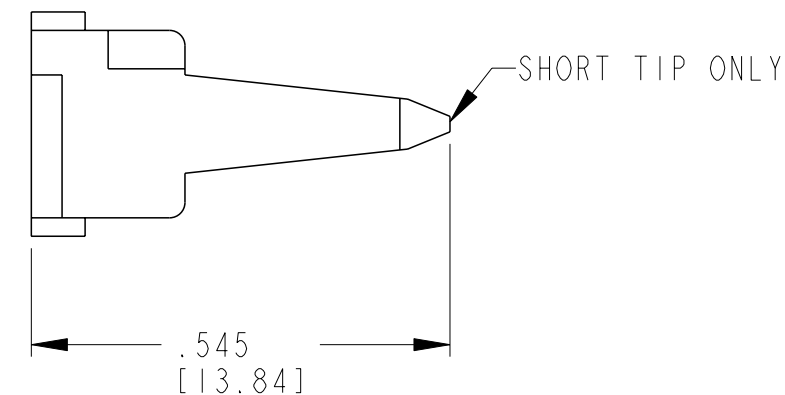
OPTIONAL GATE VESTIGE  
 APPROX. AS SHOWN




CAVITY I.D. APPROX.  
 AS SHOWN.



**OPTIONAL CONFIGURATION**



1. USED WITH DT04-6P-XXXX (XXXX = ALL MODIFICATIONS).  
 CONSULT FACTORY FOR MODIFICATIONS AND APPLICATION.

THIS DRAWING IS A CONTROLLED DOCUMENT.		DWN R. MESSENGER 16AUG2013	 TE Connectivity			
DIMENSIONS: INCHES [mm]		CHK R. MESSENGER 28MAR2014				
TOLERANCES UNLESS OTHERWISE SPECIFIED:		APVD D. MEYER 28MAR2014	NAME WEDGE LOCK 6 WAY RECEPTACLE DT SERIES			
0 PLC ±- 1 PLC ±- 2 PLC ±- 3 PLC ±.025 [0.64] 4 PLC ±- ANGLES ±0°30'0"		PRODUCT SPEC 108-151009	SIZE A3	CAGE CODE 4AFU8	DRAWING NO C-W6P	RESTRICTED TO -
MATERIAL PBT GF30 GREEN		FINISH -	APPLICATION SPEC 114-151009	WEIGHT 0.84 g		
CUSTOMER DRAWING			SCALE 4:1	SHEET 1	OF 1	REV G

printed on 23 Oct 2023 15:05 (Eastern Standard Time) from TE354946