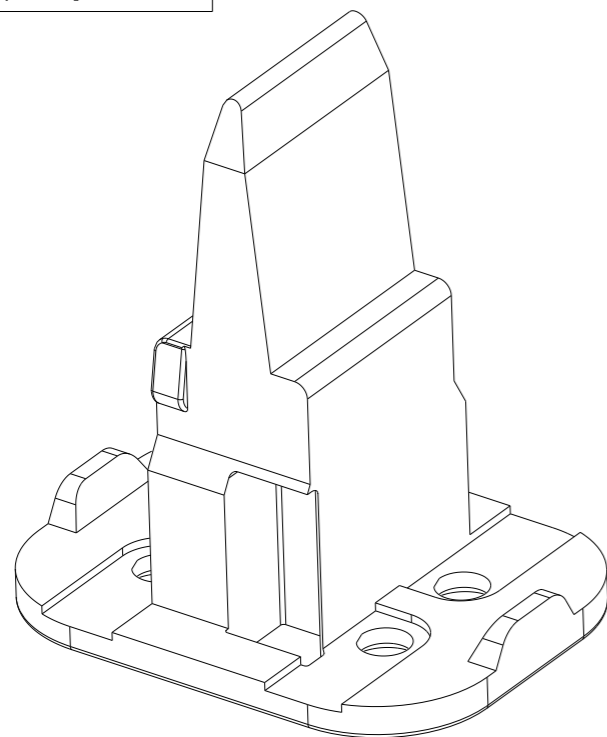
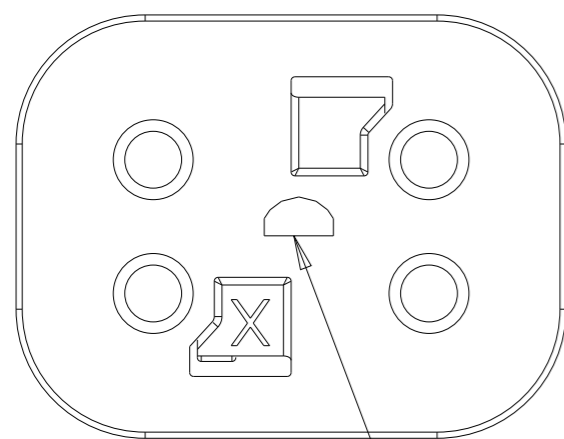
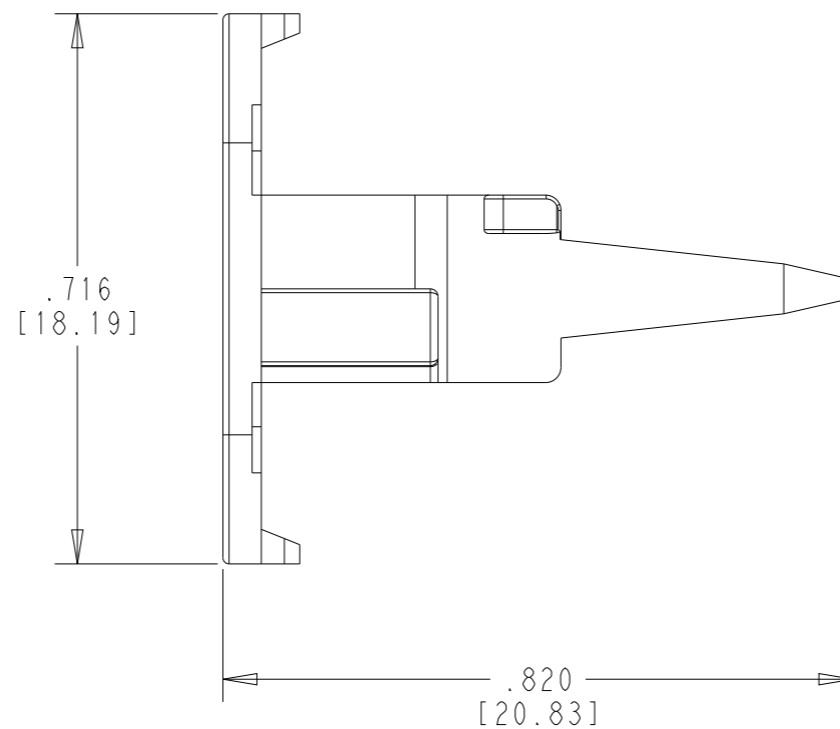


REVISIONS

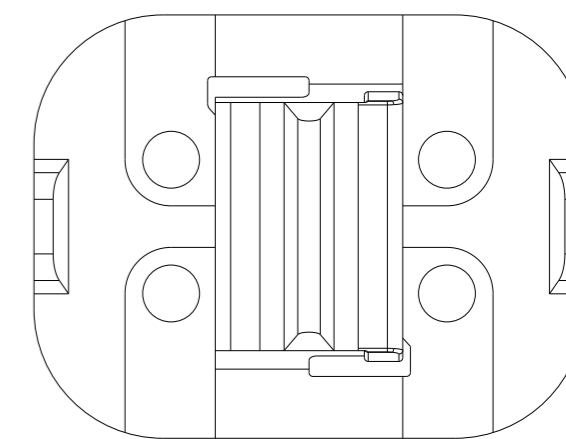
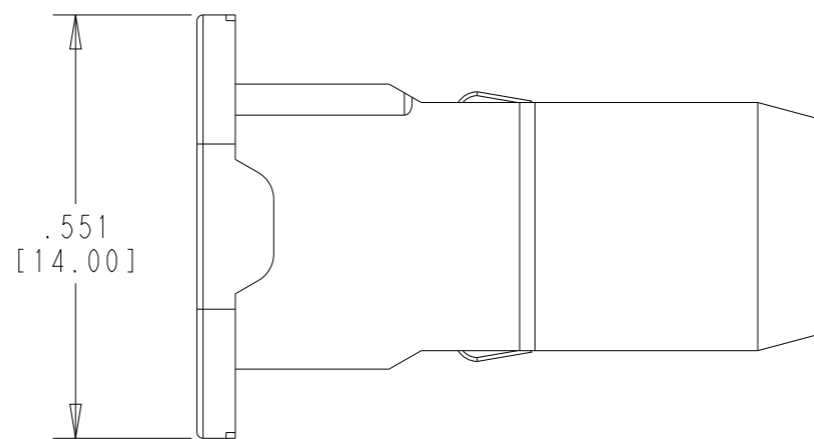
P	LTR	DESCRIPTION	DATE	DWN	APVD
	NC	NEW RELEASE PER E.O. P16276	09AUG1999	RDR	RDR
	B	REVISED PER PCN-23-190134	05OCT2023	GB	CB



3D VIEW



WEDGE KEY IDENTIFICATION



1. THIS WEDGE LOCK IS UTILIZED BY DT06-4S-XXXX (XXXX = ALL MODIFICATIONS). CONSULT FACTORY FOR MODIFICATIONS. WEDGE DESIGNED TO MATE WITH RECEPTACLE WEDGE W4PD.

NOTES:

THIS DRAWING IS A CONTROLLED DOCUMENT.		DWN S. THEIS	27AUG1999		
DIMENSIONS: INCHES [mm]		CHK -	-		
TOLERANCES UNLESS OTHERWISE SPECIFIED:		APVD R. REED	01SEP1999	NAME WEDGE LOCK -D- KEY POSITION P012 MOD	
		PRODUCT SPEC	108-151009	COLOR : BROWN	
0 PLC ±- 1 PLC ±- 2 PLC ±- 3 PLC ±.025 [0.64] 4 PLC ±- ANGLES ±-		APPLICATION SPEC	114-151009	DT SERIES	
MATERIAL PBT GF30 COLOR : BROWN		WEIGHT	1.21 g	SIZE A3	CAGE CODE 00779
		CUSTOMER DRAWING		DRAWING NO C=W4SD-P012	RESTRICTED TO -
		SCALE 4:1		SHEET 1 OF 1	REV B