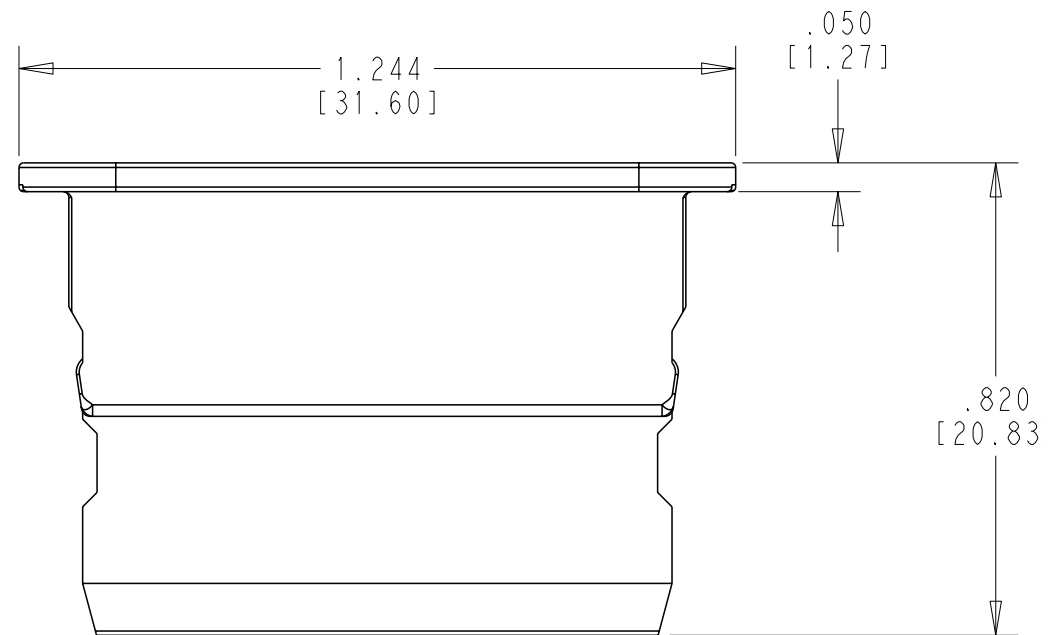
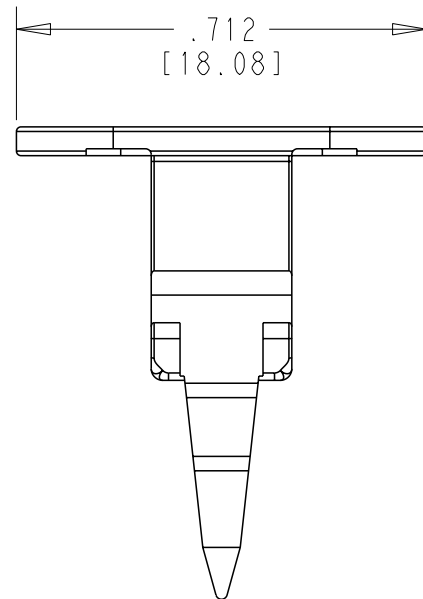
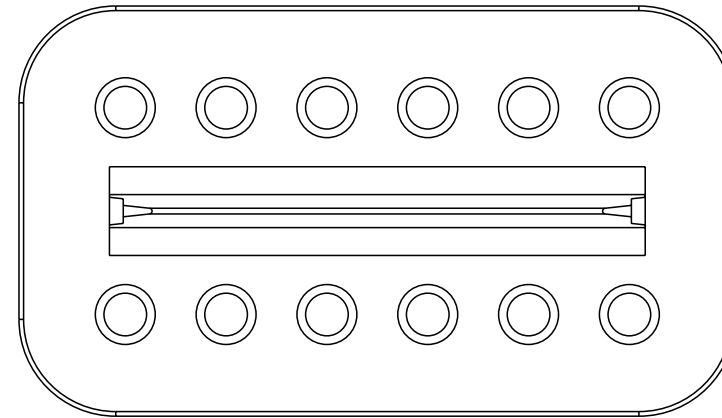


REVISIONS

P	LTR	DESCRIPTION	DATE	DWN	APVD
C		REVISED/REDRAWN PER E.O. P17352	23JUL2001	RDR	RDR
D		REVISED PER E.O. P18147	27MAY2003	RDR	RDR
E		REVISED PER E.O. P19120	16DEC2005	RDR	RDR
G		REVISED PER PCN-23-190134	05OCT2023	GB	CB



1. THIS WEDGE MATES WITH DT06-12SX-XXXX (X = ALL KEYS, XXXX = ALL MODIFICATIONS). CONSULT FACTORY FOR MODIFICATIONS.

NOTES:

THIS DRAWING IS A CONTROLLED DOCUMENT.		DWN X. SANCHEZ	11 JUL 2001										
DIMENSIONS: INCHES [mm]		CHK -	APVD -			NAME WEDGE LOCK FOR 12 WAY PLUG DT. SERIES							
		TOLERANCES UNLESS OTHERWISE SPECIFIED:		PRODUCT SPEC 108-151009	<table border="1"> <tr> <th>SIZE</th> <th>CAGE CODE</th> <th>DRAWING NO</th> <th>RESTRICTED TO</th> </tr> <tr> <td>A3</td> <td>00779</td> <td>G-W12S</td> <td>-</td> </tr> </table>	SIZE	CAGE CODE	DRAWING NO	RESTRICTED TO	A3	00779	G-W12S	-
SIZE	CAGE CODE	DRAWING NO	RESTRICTED TO										
A3	00779	G-W12S	-										
MATERIAL PBT GF30 ORANGE		FINISH -		APPLICATION SPEC 114-151009	SCALE 3:1								
		WEIGHT 2 g		CUSTOMER DRAWING	SHEET 1 OF 1								
					REV G								

printed on 23 Oct 2023 15:55 (Eastern Standard Time) from TE354946