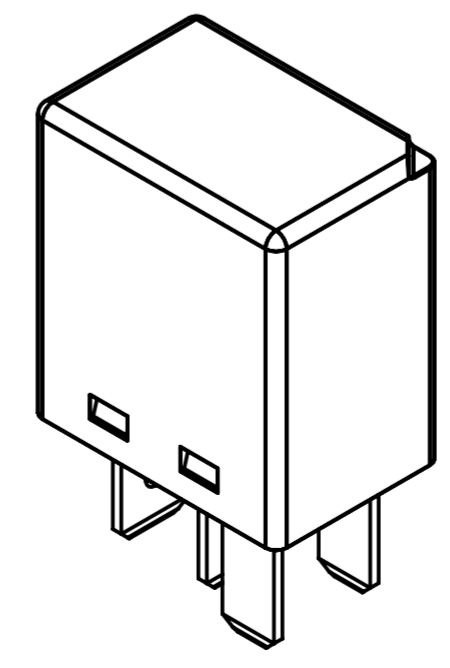
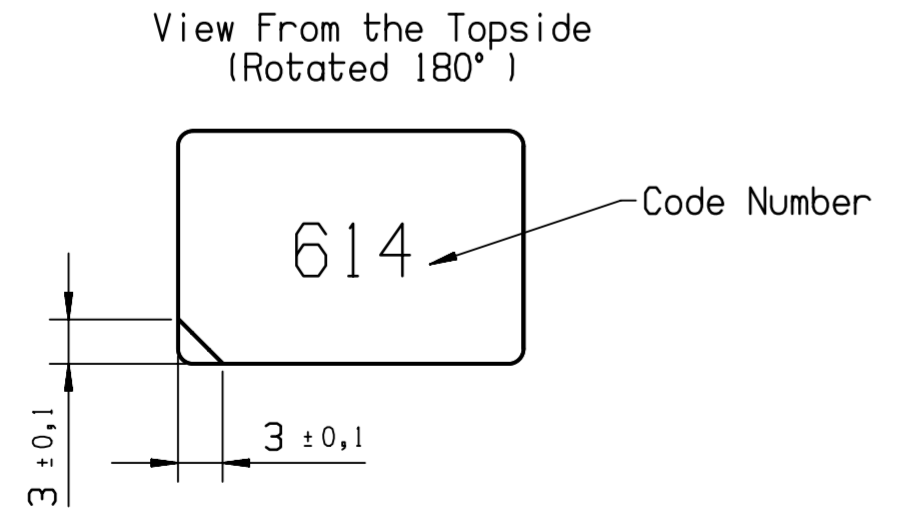
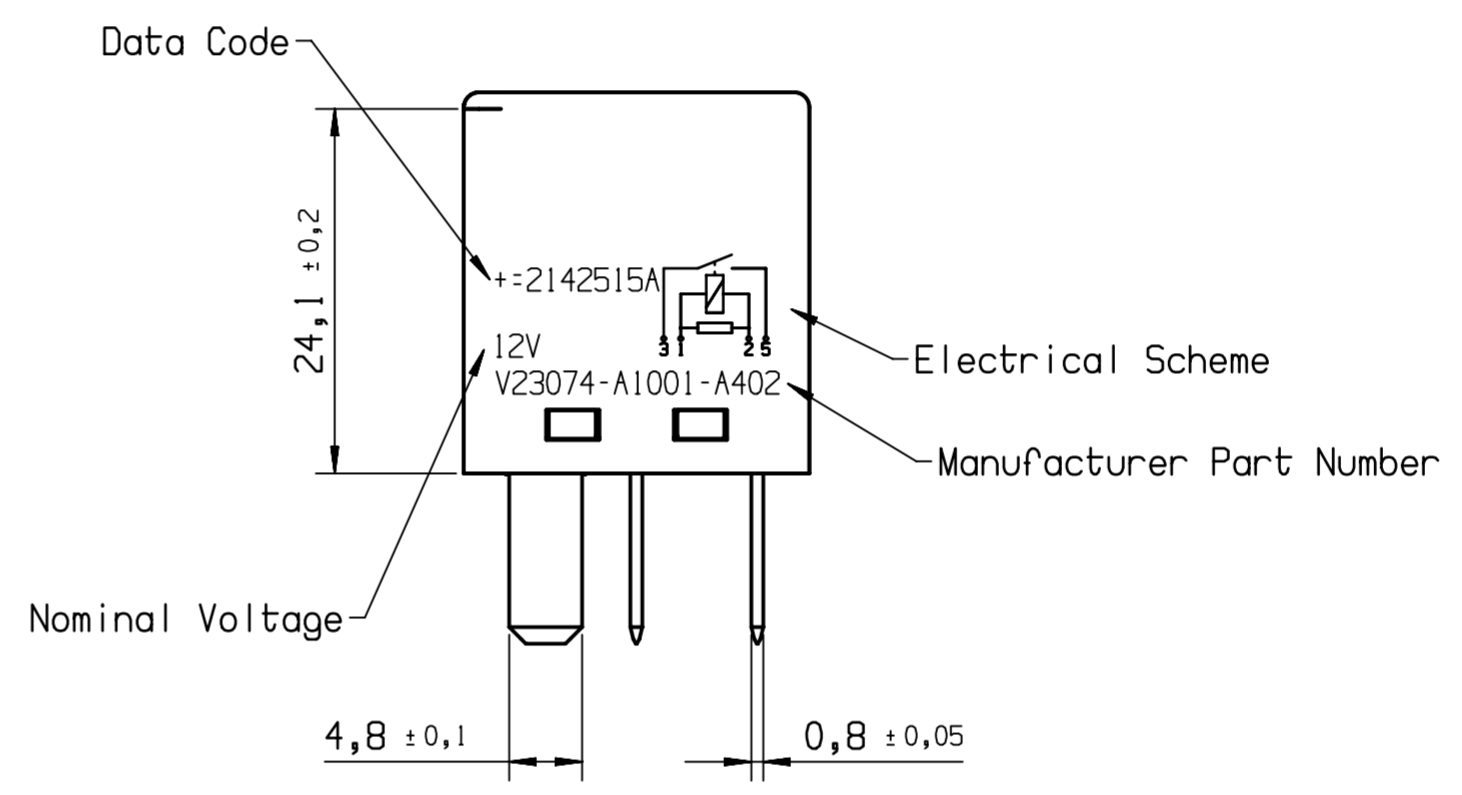
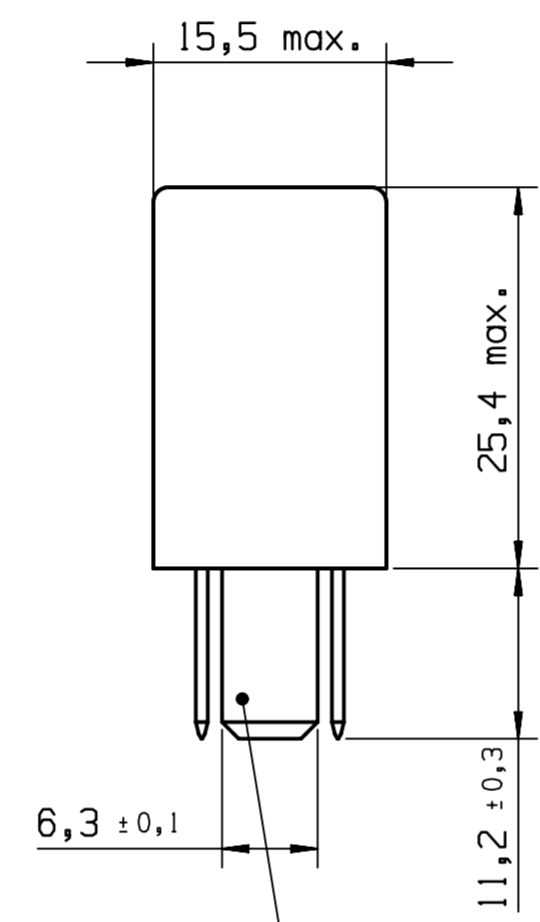
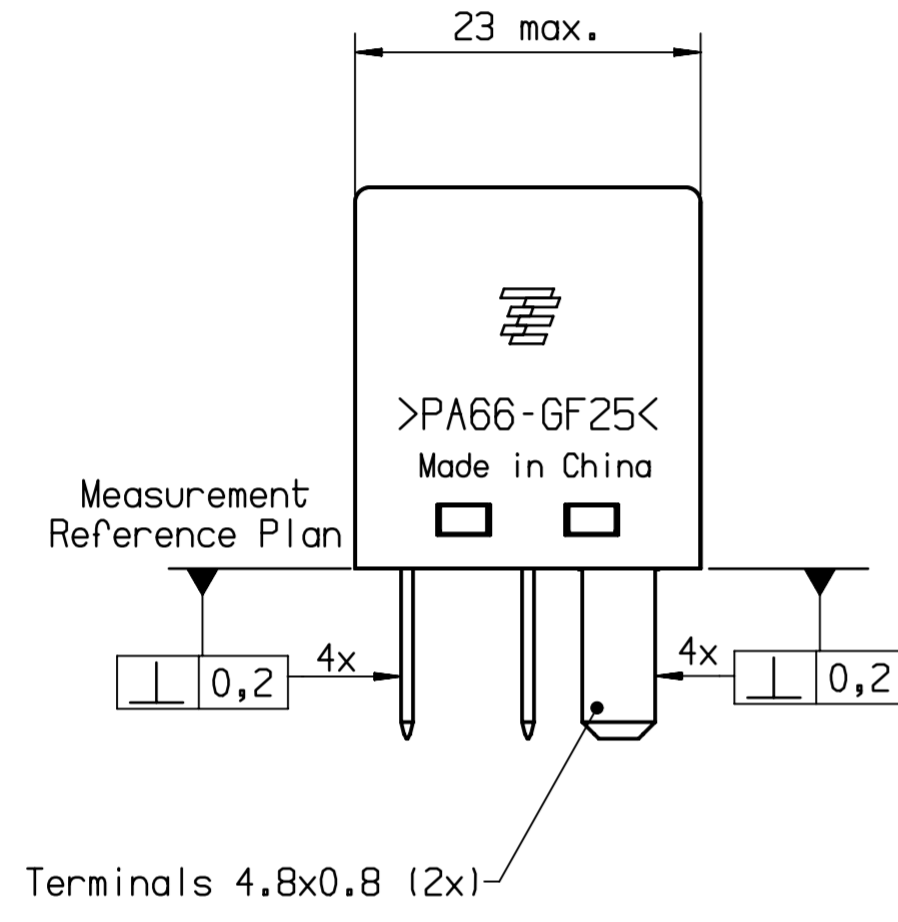
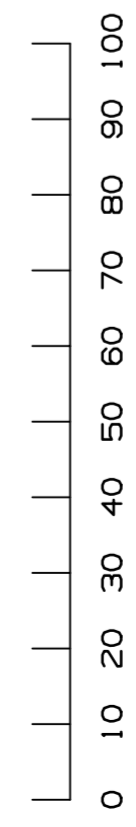


Positional Tolerance:  $\phi 0,15$



MANUFACTURER PART NUMBER	PART NUMBER
V23074-A1001-A402-SZ-CBOX	0-1393292-5



PROPRIETARY THE REPRODUCTION, TRANSMISSION OR USE OF THIS DOCUMENT OR IT'S CONTENTS IS NOT PERMITTED WITHOUT EXPRESSED WRITTEN AUTHORITY. OFFENDERS WILL BE LIABLE FOR ALL DAMAGES. ALL RIGHTS, INCLUDING RIGHTS CREATED BY REGISTERED PATENT(S) GRANTED FOR A UTILITY MODEL OR DESIGN, ARE RESERVED.				CHANGES TO THIS DRAWING MUST BE DONE ONLY IN CAD		PAPER SIZE <b>A2</b>	
APPLICABLE SPEC.:				FINISH			
DIMENSIONS UNLESS SPECIFIED OTHERWISE Tol. ISO 8015 ISO 2768 - v1				DIMENSIONS IN MM		SCALE <b>2:1; 5:1</b> WEIGHT <b>18g</b>	
DATE 28-05-09				PART NAME <b>Dimension Drawing Micro A</b>			
NAME HFrancisco				DWG NO. <b>V23074-A1001-A402</b>			
LOCATION TE PE Evora				SHT. OF 1 <b>1</b>			
DATE 06DEC2010				CUSTOMER DRAWING			
APP. CLASS 1				REV. CHANGE ORDER			