

THIS DRAWING IS UNPUBLISHED. RELEASED FOR PUBLICATION  
 © COPYRIGHT copyright.d8Te- ALL RIGHTS RESERVED.

REVISIONS					
P	LTR	DESCRIPTION	DATE	DWN	APVD
B		ECR-16-010100	14JUL2016	L.Z	X.X
B1		ECR-18-008476	08JUN2018	G.W	C.W
C		ECR-19-009136	27JUL2019	C.D	C.W

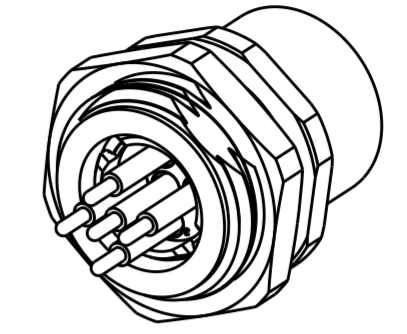
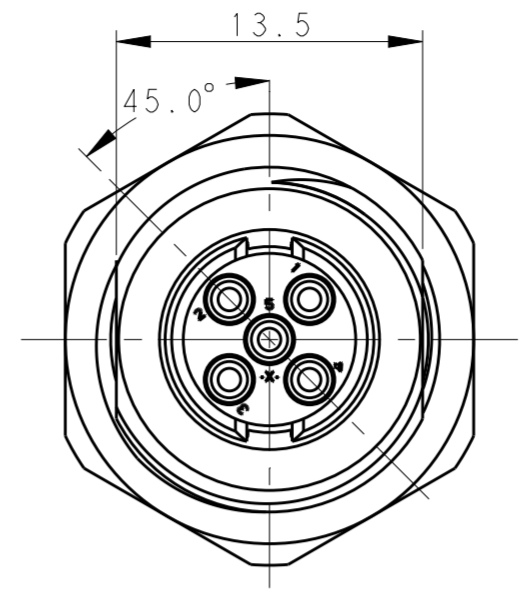
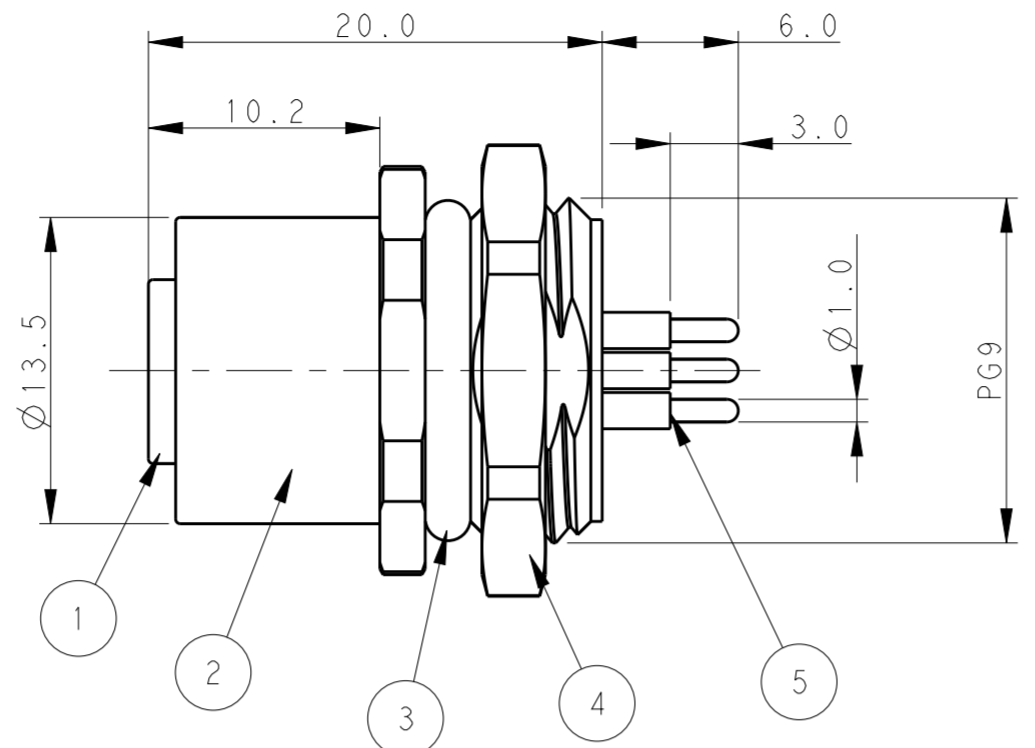
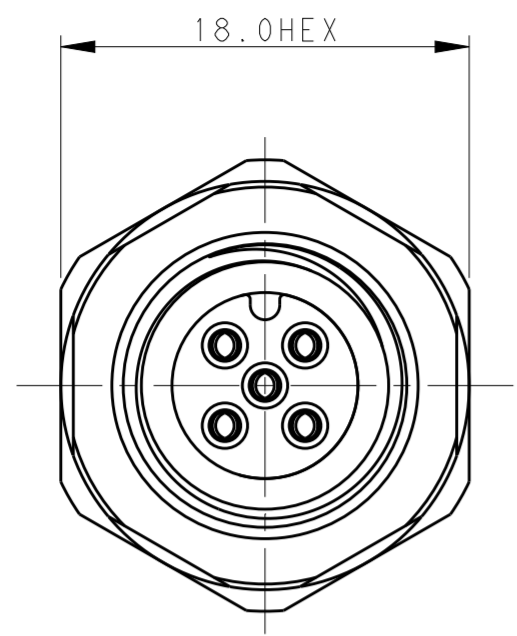
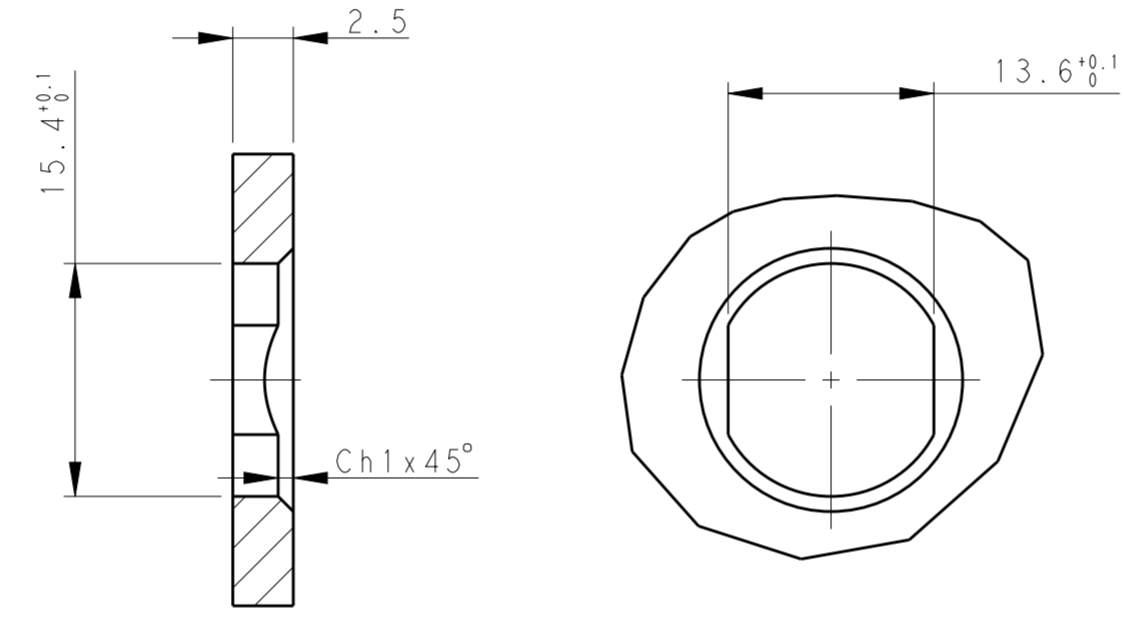


TABLE 1

TECHNICAL DATA	T4143012021-000	T4143012031-000	T4143012041-000	T4143012051-000
RATED VOLTAGE	250V	250V	250V	60V
RATED CURRENT	4A	4A	4A	4A
POLLUTION DEGREE	3	3	3	3
OVERVOLTAGE CATEGORY	II	II	II	II
MATERIAL GROUP	II	II	II	II
CONTACT RESISTANCE	<=10mΩ	<=10mΩ	<=10mΩ	<=10mΩ
INSULATION RESISTANCE	>100MΩ	>100MΩ	>100MΩ	>100MΩ
DEGREE OF PROTECTION	IP67	IP67	IP67	IP67
OPERATION TEMPERATURE	-40~85°C	-40~85°C	-40~85°C	-40~85°C



RECOMMENDED PANEL CUTOUT

NOTE:  
 1. TECHNICAL DATA: SEE TABLE 1  
 2. RECOMMENDED MOUNT PANEL SEE DETAIL  
 3. PRODUCT COMPLIES WITH IEC61076-2-101  
 4. ALL MATERIALS TO BE ROHS COMPLIANT  
 5. ALL MATERIALS TO BE REACH COMPLIANT  
 6. PN INFORMATION FOR ASSEMBLY PARTS

注释:  
 1: 技术参数, 见表1  
 2: 推荐开孔尺寸详见如图所示  
 3: 产品符合标准 IEC61076-2-101  
 4: 所有材料符合ROHS参照标准TEC-138-705  
 5: 所有材料符合REACH参照标准TEC-138-705  
 6: 成品料号信息如下:

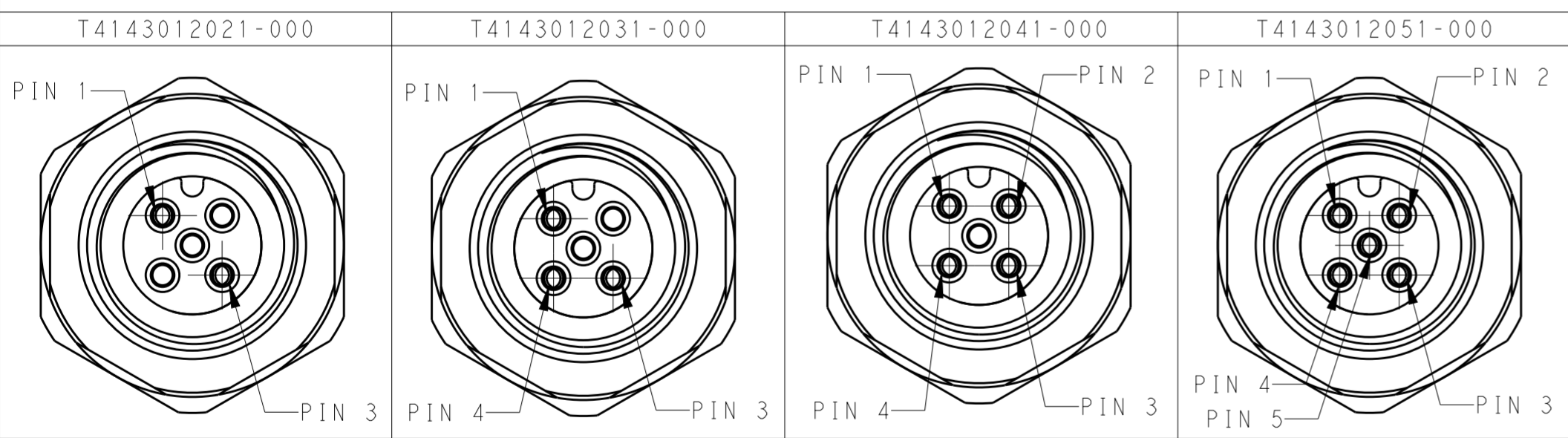
T41430120X1-000

CONTACT FINISH:  
 1: GOLD 3u''  
 NUMBER OF PINS:  
 02: 2 PINS  
 03: 3 PINS  
 04: 4 PINS  
 05: 5 PINS

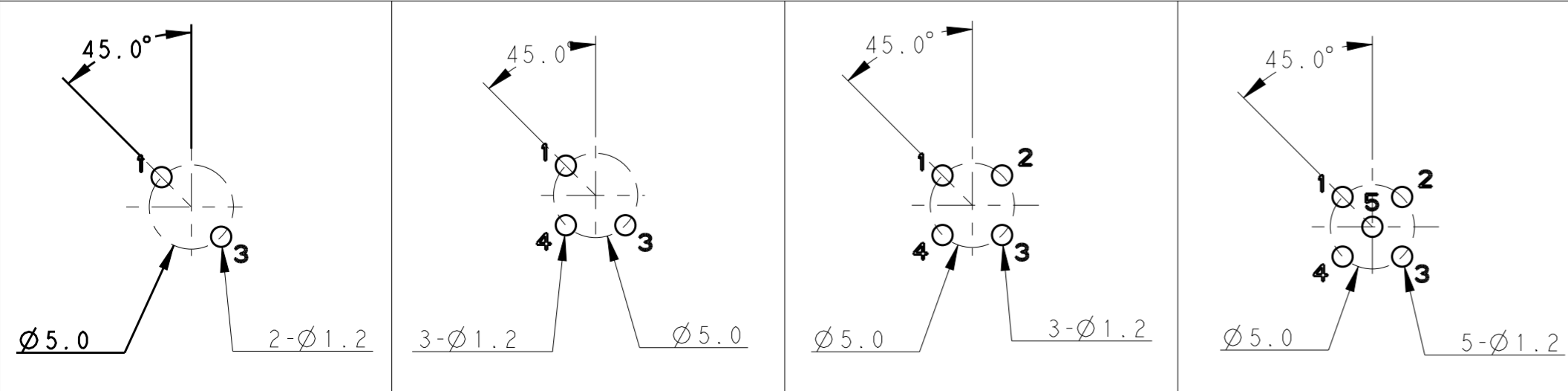
T41430120X1-000

端子电镀:  
 1: 3u''全  
 针数:  
 02: 2 针  
 03: 3 针  
 04: 4 针  
 05: 5 针

PIN ARRANGEMENT A-CODE



RECOMMENDED DRILLING DIAGRAM



T4143012021-000	RPC-M12-FB-2CON-PG9-LBU
T4143012031-000	RPC-M12-FB-3CON-PG9-LBU
T4143012041-000	RPC-M12-FB-4CON-PG9-LBU
T4143012051-000	RPC-M12-FB-5CON-PG9-LBU
PART NUMBER	TYPE

PLATING	MATERIAL	DESCRIPTION	ITEM	5	2	3	4	5
3u'' GOLD PLATED	COPPER ALLOY	CONTACT		5	2	3	4	5
80u'' NICKEL PLATED	COPPER ALLOY	METAL NUT		4	1	1	1	1
BLACK	RUBBER	O-RING		3	1	1	1	1
80u'' NICKEL PLATED	COPPER ALLOY	M12, MALE, METAL BODY		2	1	1	1	1
-	PA66	M12, MALE HSG		1	1	1	1	1

THIS DRAWING IS A CONTROLLED DOCUMENT. DWN BO GAO 27-Jul-19  
 CHK KOBBY ZHAO 13-May-16  
 APVD XIANG XU 13-May-16

**STE** TE Connectivity

NAME: M12 PANEL MOUNT CONNECTOR A CODE, FEMALE, FRONT MOUNTING PCB SOLDERING

SIZE: A2 CAGE CODE: - DRAWING NO: 108-106140 APPLICATION SPEC: 114-137144 WEIGHT: -

MATERIAL: - FINISH: -

CUSTOMER DRAWING SCALE: 3:1 SHEET: 1 OF 1 REV: C