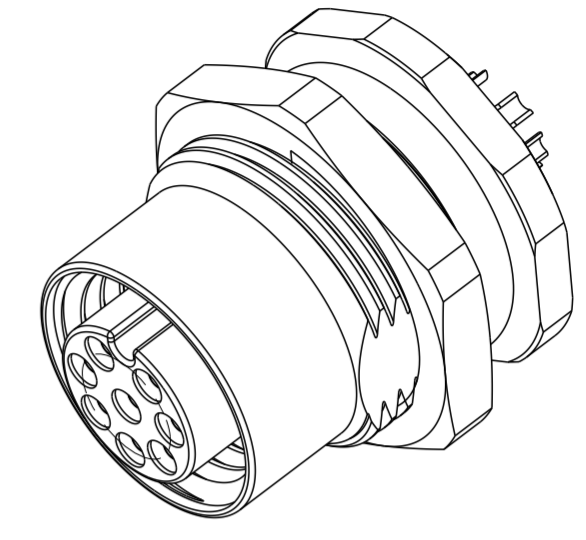
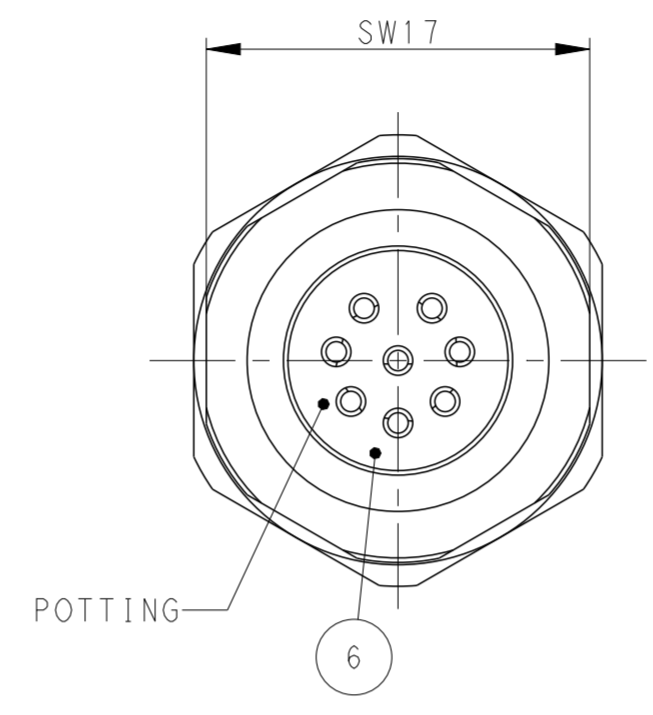
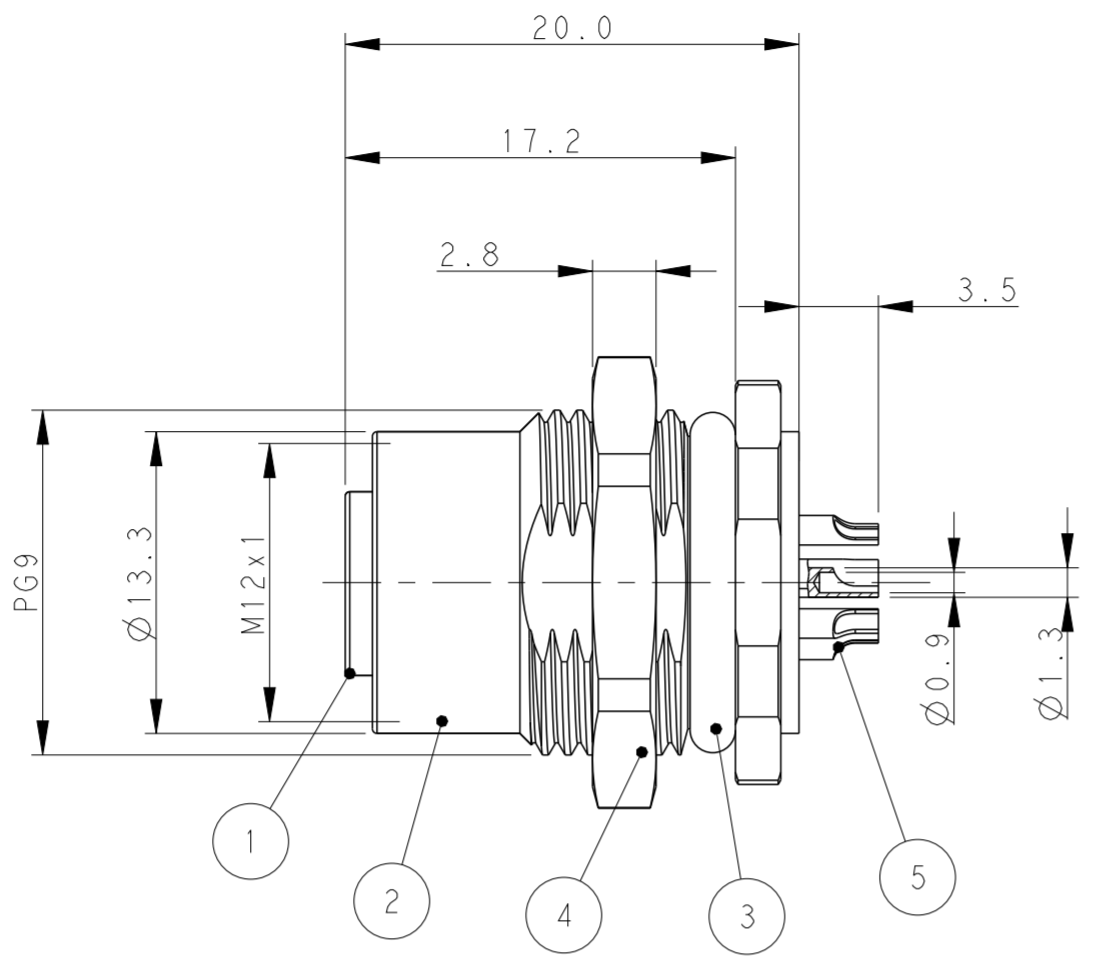
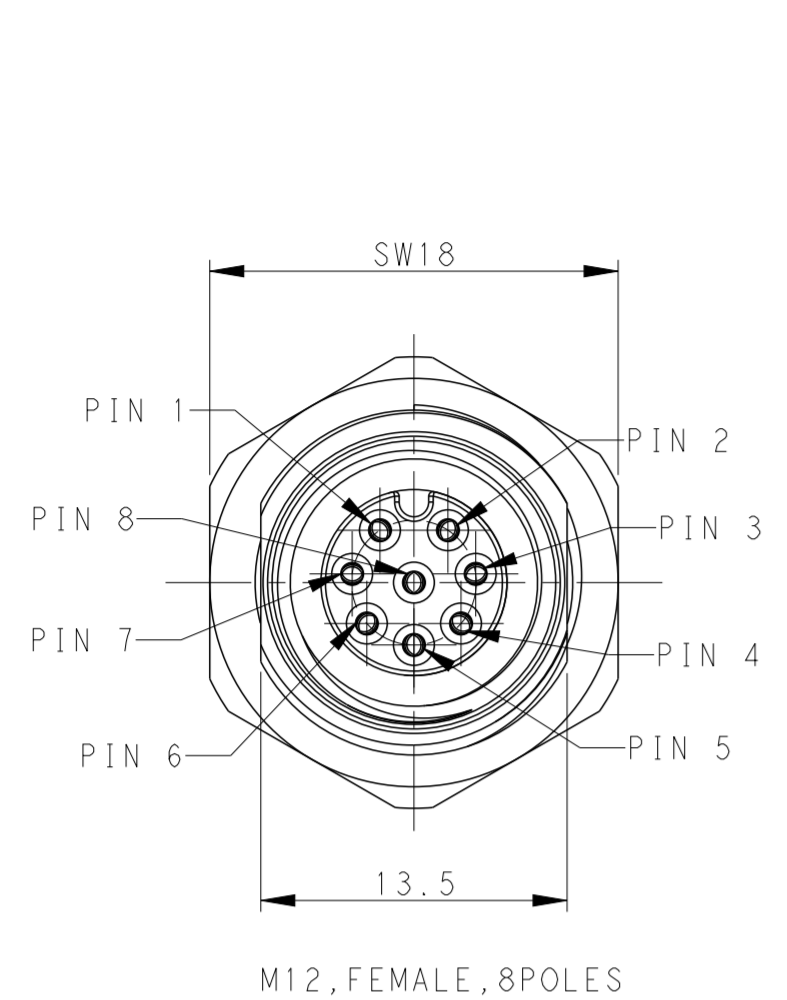


THIS DRAWING IS UNPUBLISHED. RELEASED FOR PUBLICATION  
 © COPYRIGHT copyright.d8Te- ALL RIGHTS RESERVED.

REVISIONS					
P	LTR	DESCRIPTION	DATE	DWN	APVD
A		INITIAL RELEASE	03JAN2018	G.W	C.W
A1		ECR-18-003481	08MAR2018	G.W	C.W
B		ECR-19-009136	11JUL2019	C.D	C.W
B1		ECR-24-209064 UPDATE VIEW DESCRIPTION	06OCT2021	G.W	C.W



NOTE:  
 1. TECHNICAL DATA: SEE TABLE 1  
 2. RECOMMENDED MOUNT PANEL SEE DETAIL  
 3. PACKAGING: 1 PIECE IN A BAG  
 4. ALL DIMENSIONS ARE FOR NOMINAL REFERENCE ONLY UNLESS OTHERWISE STATED

注释:  
 1. 技术参数, 见表1  
 2. 推荐开孔尺寸详见如图所示  
 3. 包装: 1PCS/袋  
 4. 所有尺寸仅供参考, 除非另有说明

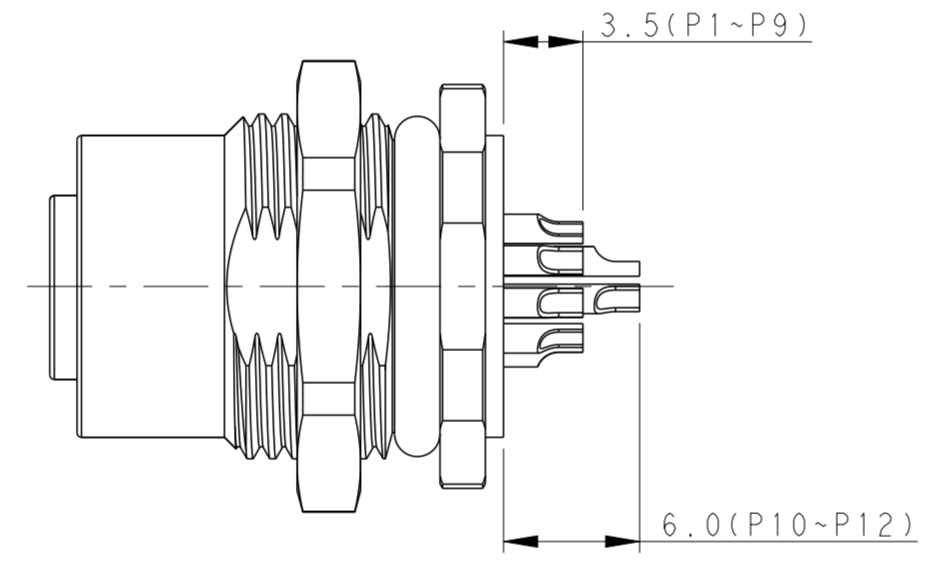
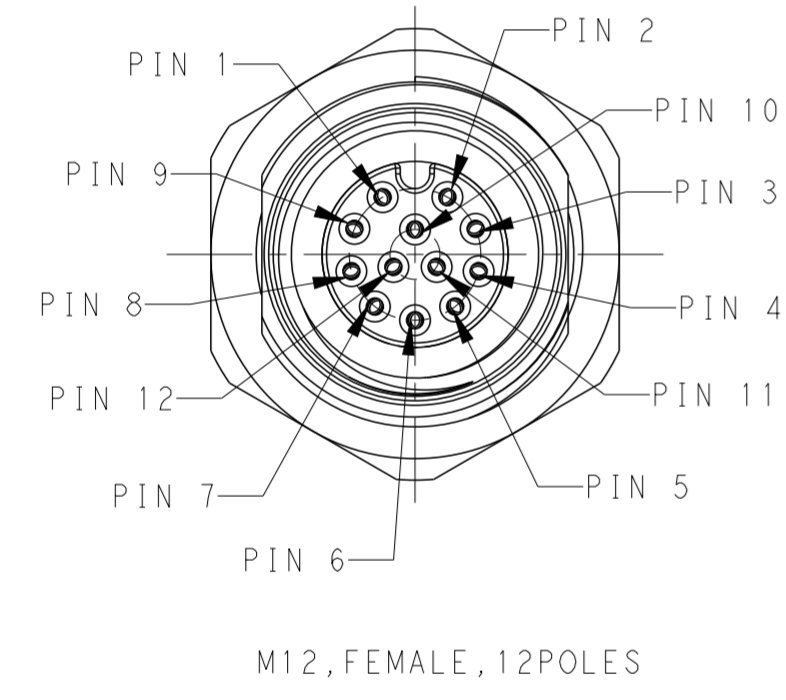
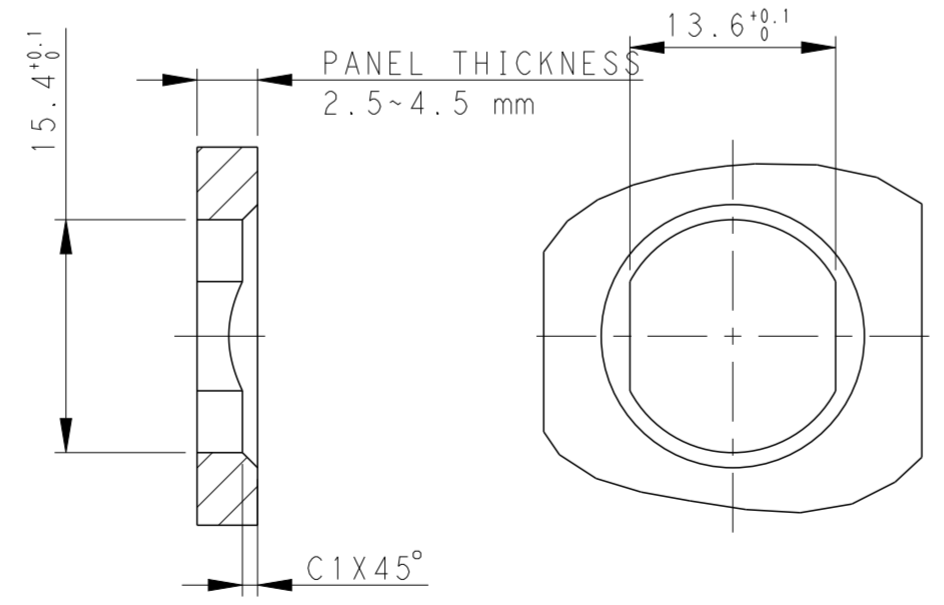


TABLE 1

TECHNICAL DATA	T4131012081-000	T4131012121-000
RATED VOLTAGE	30V	30V
RATED CURRENT	2A	1.5A
POLLUTION DEGREE	3	3
OVERVOLTAGE CATEGORY	II	II
MATERIAL GROUP	II	II
DEGREE OF PROTECTION	IP67	IP67
OPERATION TEMPERATURE	-40~85°C	-40~85°C



T4131012121-000	RPC-M12-FF-12CON-PG9-LAU	12
T4131012081-000	RPC-M12-FF-8CON-PG9-LAU	8
PART NUMBER	TYPE	POS.

OTHERS	MATERIAL	DESCRIPTION	ITEM
-	EPOXY RESIN	POTTING ADHESIVE	6
GOLD PLATED	COPPER ALLOY	CONTACT	5
NICKEL PLATED	COPPER ALLOY	METAL NUT	4
BLACK	RUBBER	O-RING	3
NICKEL PLATED	COPPER ALLOY	M12, FEMALE, METAL BODY	2
-	PA66	M12, FEMALE HSG	1

THIS DRAWING IS A CONTROLLED DOCUMENT.

DWN: 03JAN2018, Gavin Wang  
 CHK: 03JAN2018, Kevin Huang  
 APVD: 03JAN2018, Chris Wang

STE TE Connectivity

M12 PANEL MOUNT CONNECTOR  
 A CODE, FEMALE, REAR MOUNT  
 WIRE SOLDERING

SIZE: A2, CAGE CODE: -, DRAWING NO: T4131012081000, RESTRICTED TO: B1

SCALE: 3:1, SHEET: 1 OF 1, REV: B1