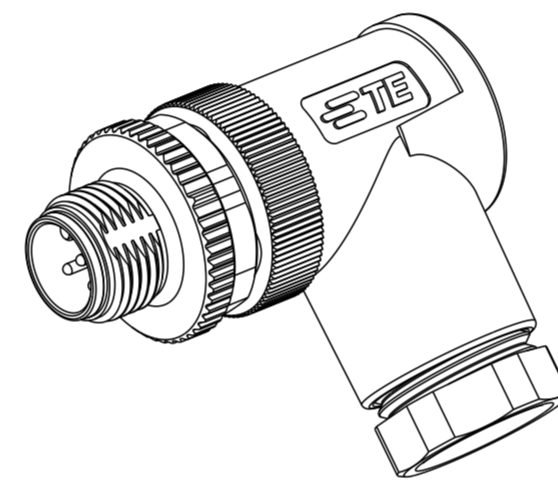
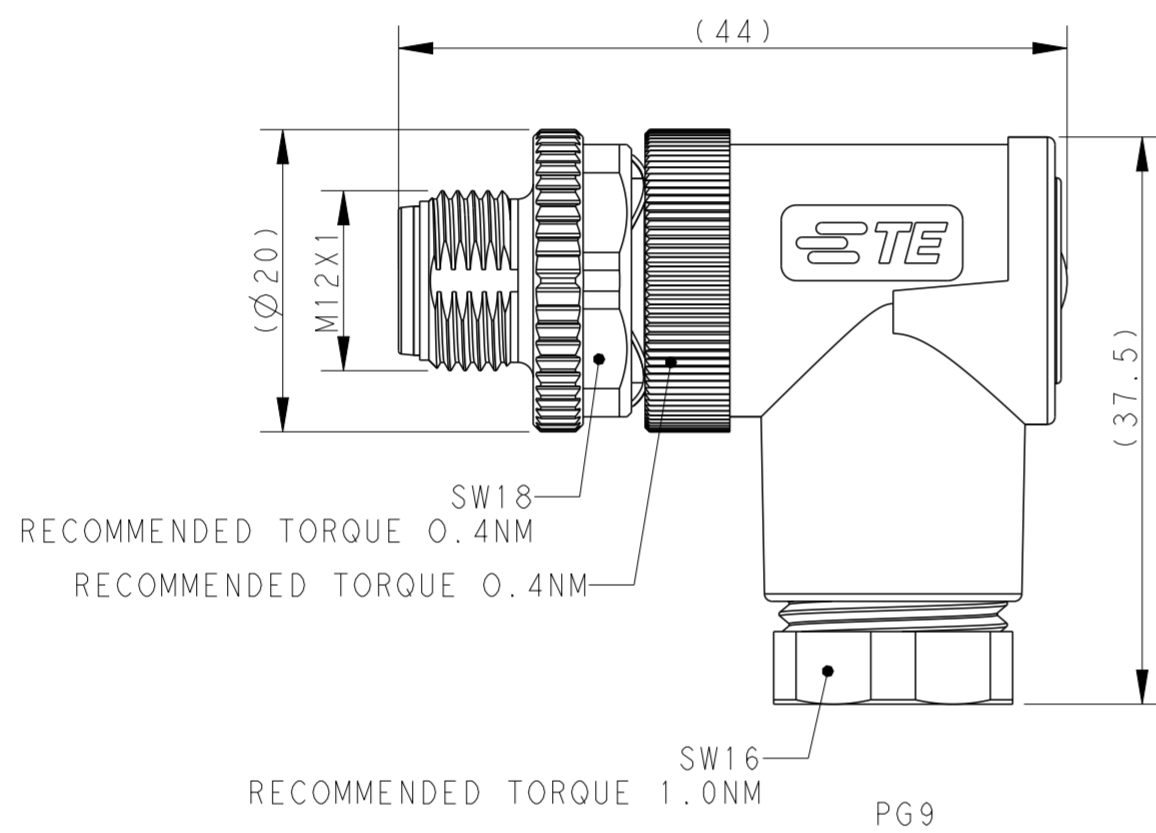
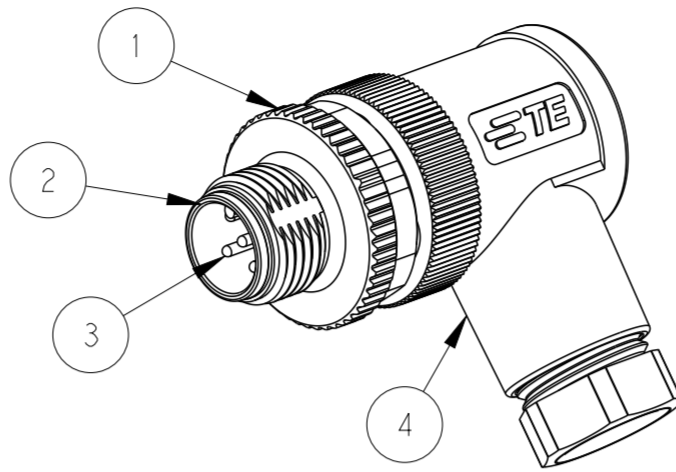
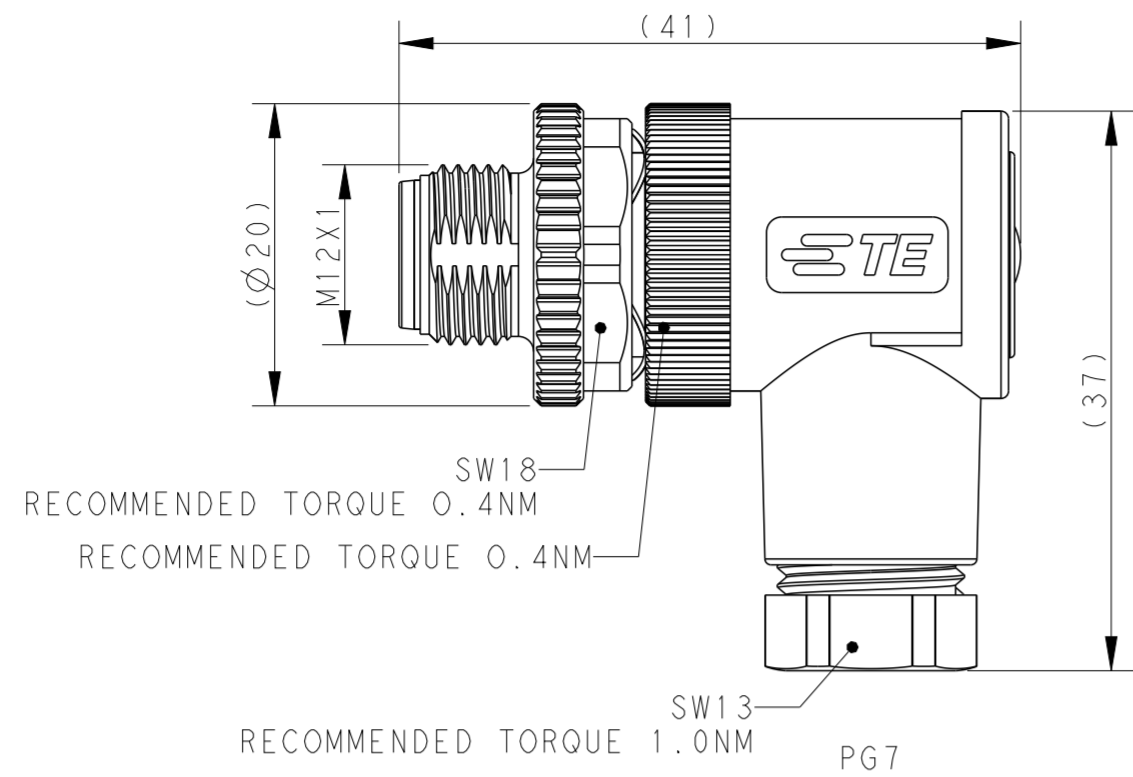
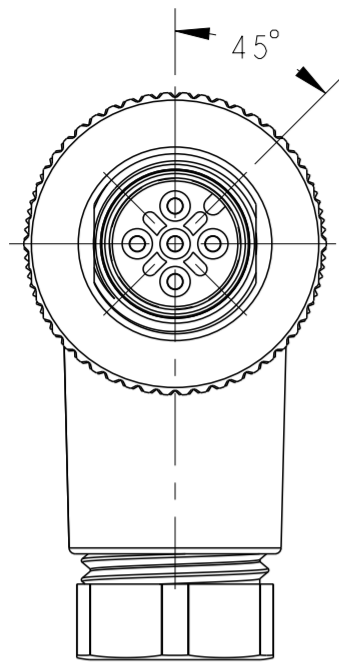


THIS DRAWING IS UNPUBLISHED. RELEASED FOR PUBLICATION 20  
 © COPYRIGHT 20 BY - ALL RIGHTS RESERVED.

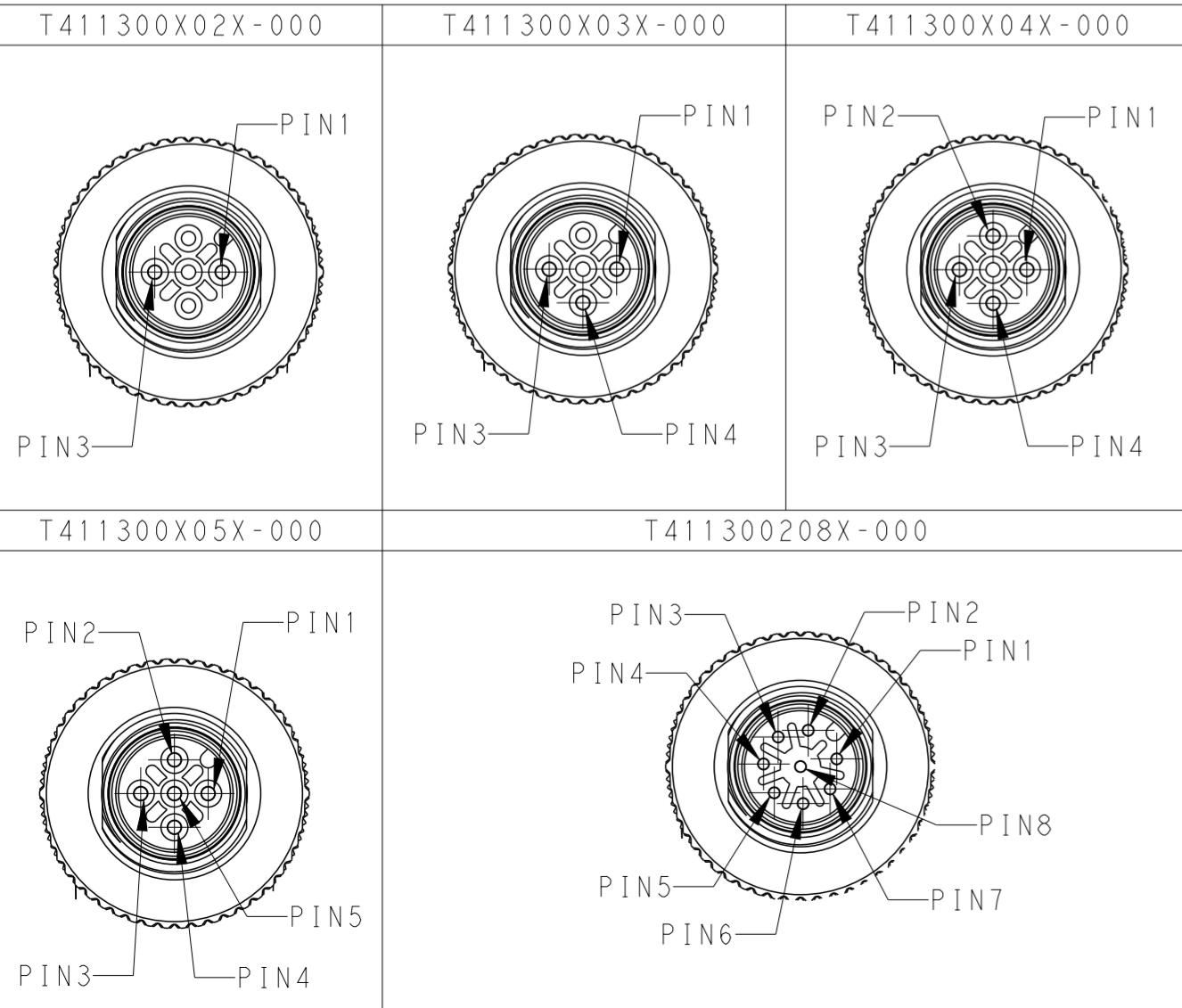
REVISIONS					
P	LTR	DESCRIPTION	DATE	DWN	APVD
A1		ECR-15-012625 CORRECT TYPE	20AUG2015	N.P	X.X
A2		ECR-15-018715 ADD 114 SPEC.	29DEC2015	N.P	X.X
A3		ECR-20-012708 ADD MODEL PG9	22SEP2020	NP	XX
B		ECR-22-132011	25AUG2022	BP	CW



TECHNICAL DATA	T411300X02X-000	T411300X03X-000	T411300X04X-000	T411300X05X-000	T411300X08X-000
	RATED VOLTAGE	250V	250V	250V	60V
RATED CURRENT	4A	4A	4A	4A	2A
POLLUTION DEGREE	3	3	3	3	3
OVERVOLTAGE CATEGORY	II	II	II	II	II
MATERIAL GROUP	II	II	II	II	II
CONTACT RESISTANCE	≤10mΩ	≤10mΩ	≤10mΩ	≤10mΩ	≤10mΩ
INSULATION RESISTANCE	>100MΩ	>100MΩ	>100MΩ	>100MΩ	>100MΩ
DEGREE OF PROTECTION	IP67	IP67	IP67	IP67	IP67
OPERATION TEMPERATURE	-40~85°C	-40~85°C	-40~85°C	-40~85°C	-40~85°C

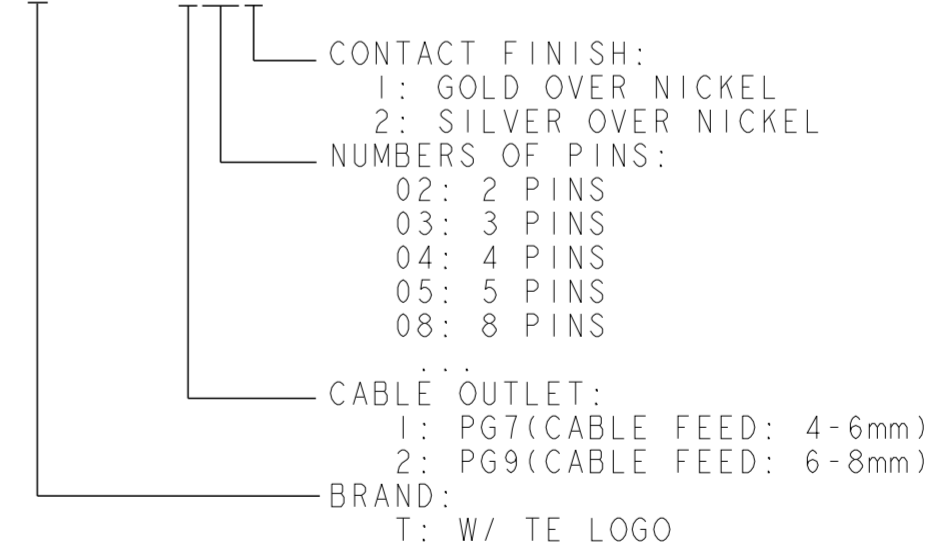
- NOTE:
- MATERIAL:
    - ITEM NO.1: NUT - ZINC DIE-CAST, NICKEL PLATED
    - ITEM NO.2: HOUSING - PA
    - ITEM NO.3: CONTACT - BRONZE
    - ITEM NO.4: HOUSING BODY: - ZINC DIE-CAST, NICKEL PLATED
  - CONTACT FINISH: GOLD OVER NICKEL OR SILVER OVER NICKEL
  - CABLE WIRES:
    - FOR 2~5 PIN:
      - 24AWG/0.25mm<sup>2</sup>...18AWG/0.75mm<sup>2</sup> (WITHOUT FERRULE)
      - 26AWG/0.14mm<sup>2</sup>...20AWG/0.50mm<sup>2</sup> (WITH FERRULE)
    - FOR 8 PIN:
      - 24AWG/0.25mm<sup>2</sup>...20AWG/0.50mm<sup>2</sup> (WITHOUT FERRULE)
      - 26AWG/0.14mm<sup>2</sup>...22AWG/0.34mm<sup>2</sup> (WITH FERRULE)
  - ALL DIMENSIONS ARE FOR NOMINAL REFERENCE ONLY UNLESS OTHERWISE STATED
  - PACKAGING: 1 PIECE IN A BAG
  - PN INFORMATION

PIN ARRANGEMENT A-CODE



T4113002081-000	RPC-M12-MR-8CON-PG9-MU
T4113002082-000	RPC-M12-MR-8CON-PG9-M
T4113001081-000	RPC-M12-MR-8CON-PG7-MU
T4113001082-000	RPC-M12-MR-8CON-PG7-M
T4113002051-000	RPC-M12-MR-5CON-PG9-MU
T4113001051-000	RPC-M12-MR-5CON-PG7-MU
T4113002052-000	RPC-M12-MR-5CON-PG9-M
T4113001052-000	RPC-M12-MR-5CON-PG7-M
T4113002041-000	RPC-M12-MR-4CON-PG9-MU
T4113001041-000	RPC-M12-MR-4CON-PG7-MU
T4113002042-000	RPC-M12-MR-4CON-PG9-M
T4113001042-000	RPC-M12-MR-4CON-PG7-M
T4113002031-000	RPC-M12-MR-3CON-PG9-MU
T4113001031-000	RPC-M12-MR-3CON-PG7-MU
T4113002032-000	RPC-M12-MR-3CON-PG9-M
T4113001032-000	RPC-M12-MR-3CON-PG7-M
T4113002021-000	RPC-M12-MR-2CON-PG9-MU
T4113001021-000	RPC-M12-MR-2CON-PG7-MU
T4113002022-000	RPC-M12-MR-2CON-PG9-M
T4113001022-000	RPC-M12-MR-2CON-PG7-M
TE PN	TYPE

T411300XXXX-000



THIS DRAWING IS A CONTROLLED DOCUMENT.		DWN HAO WANG 08DEC2014	TE Connectivity		
DIMENSIONS: mm		CHK KOBBY ZHAO 08DEC2014			
TOLERANCES UNLESS OTHERWISE SPECIFIED:		APVD XIANG XU 08DEC2014	NAME M12 MALE, A CODE, RA UNSHIELDED CONNECTOR SCREW TERMINAL		
0 PLC ±0.2		PRODUCT SPEC 108-106140	SIZE A2		
1 PLC ±0.2		APPLICATION SPEC 114-137144	CAGE CODE -		
2 PLC ±0.2		WEIGHT -	DRAWING NO. C-T411300XXXX000		
3 PLC ±		MATERIAL -	RESTRICTED TO -		
4 PLC ±		FINISH -	SCALE 2:1 SHEET 1 OF 1 REV B		
ANGLES ±2		Customer Drawing			