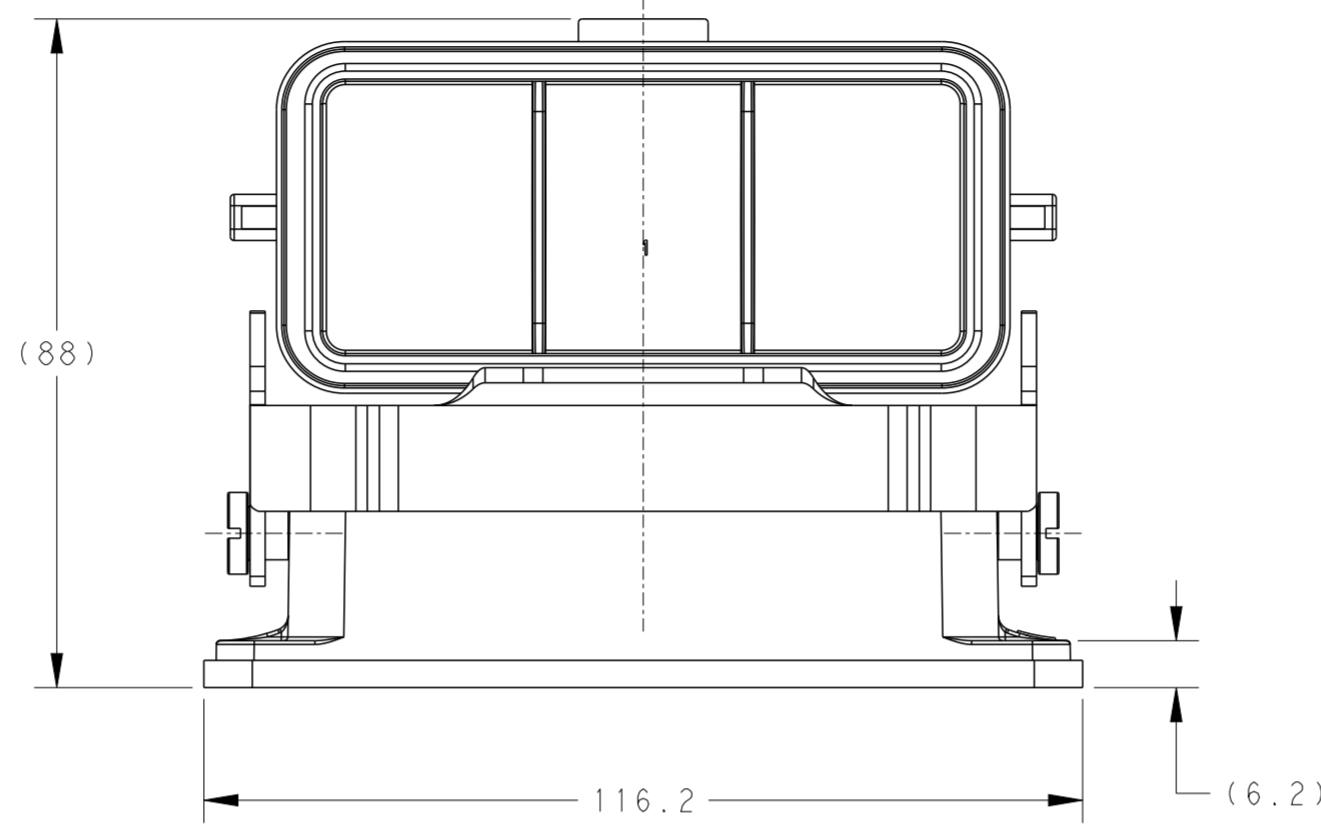
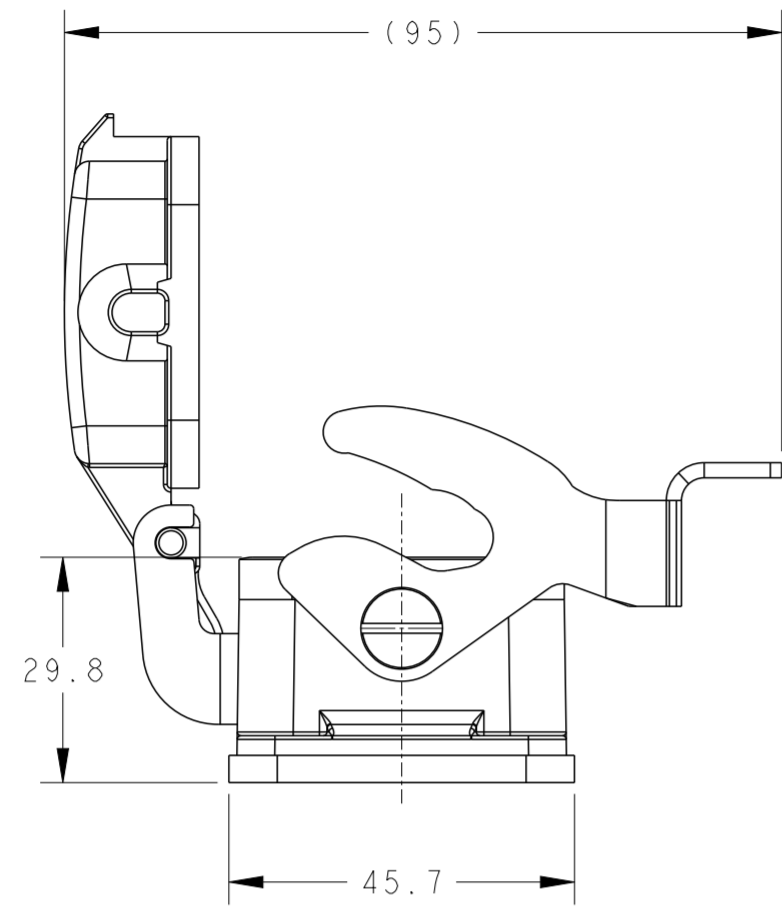


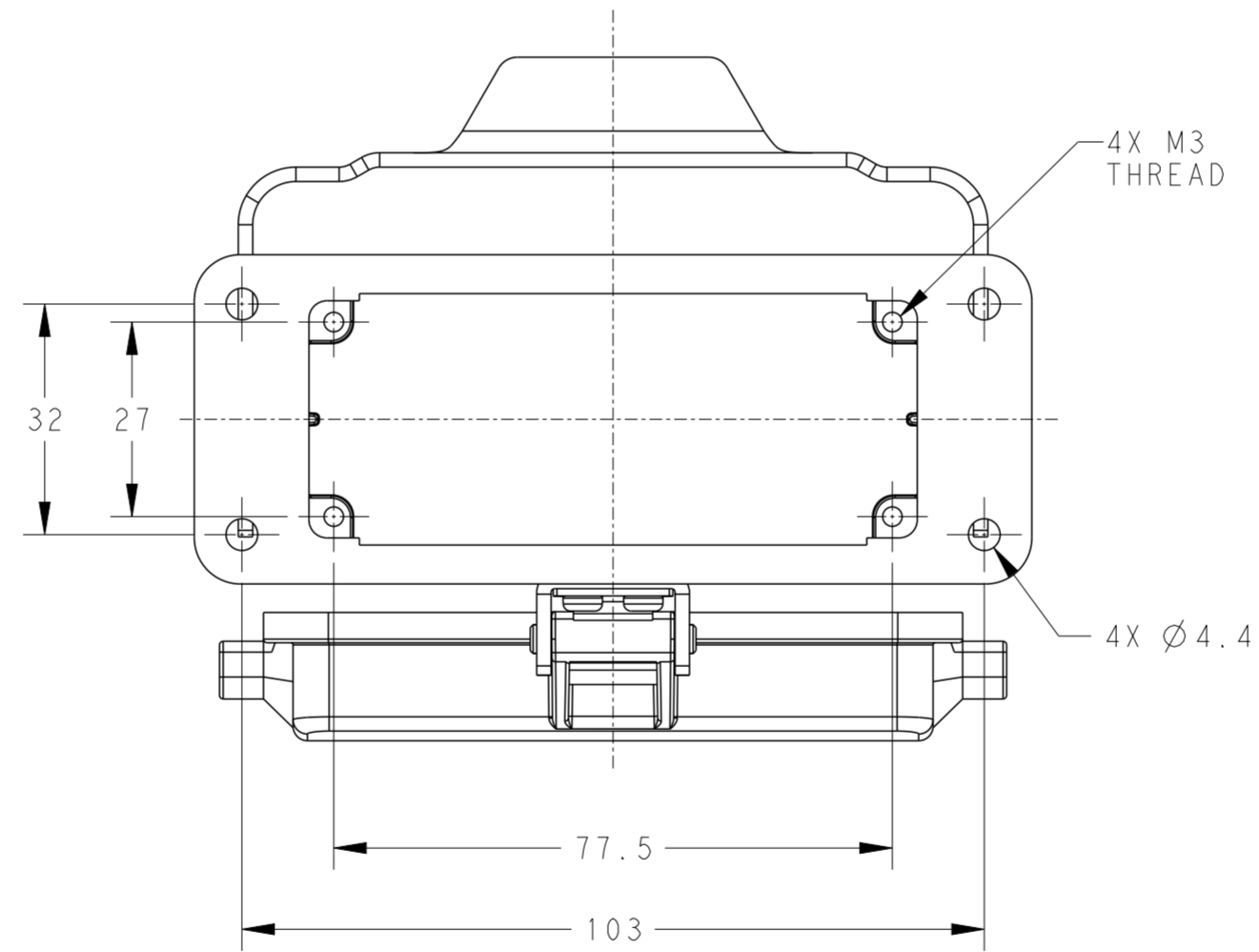
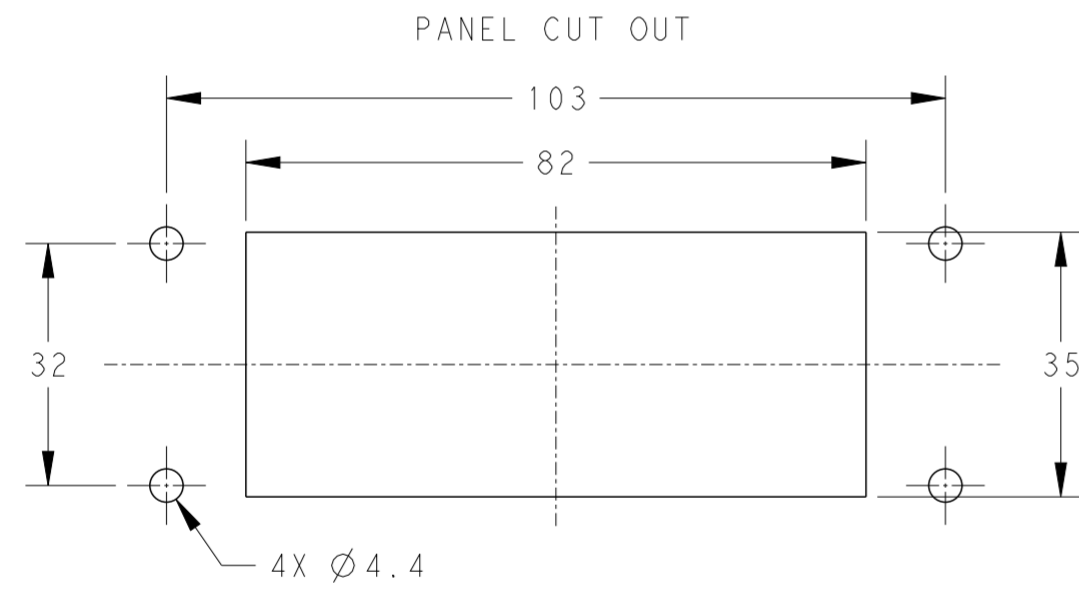
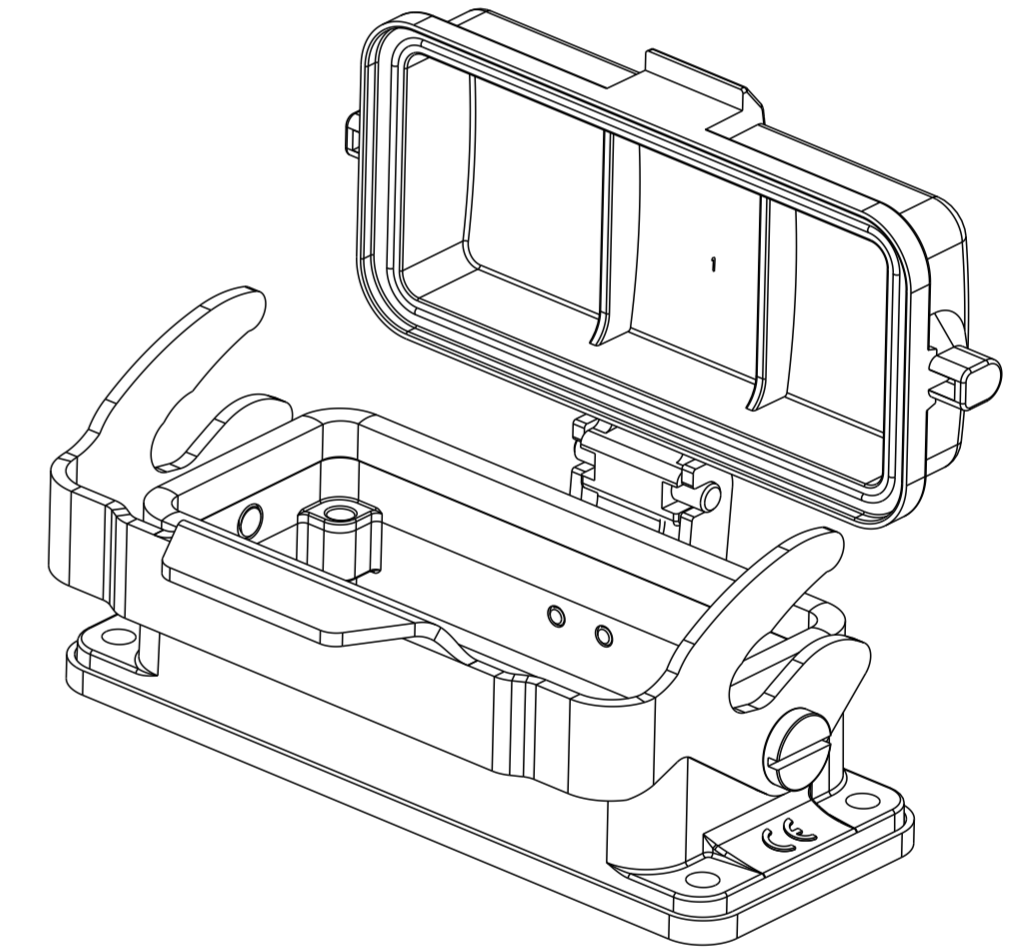
THIS DRAWING IS UNPUBLISHED. RELEASED FOR PUBLICATION 20
 © COPYRIGHT 20 BY - ALL RIGHTS RESERVED.

REVISIONS					
P	LTR	DESCRIPTION	DATE	DWN	APVD
A		INITIAL	25JUN2015	DW	CW
B		ECR-20-008190	16SEP2020	WOR	CW
C		ECR-23-194273	18DEC2023	BS	CW



NOTES:
 1. TECHNICAL CHARACTERISTICS:
 HOUSING MATERIAL: DIE CAST ALUMINIUM ALLOY
 SURFACE: POWDER COATED, GREY
 DEGREE OF PROTECTION: IP65 (MATED)

注释:
 1. 技术参数:
 下壳材料: 铝合金
 表面处理: 粉末涂层, 灰色
 防护等级: IP65 (配合)



T1510163000-000	H16B-AD-LB
PART NUMBER	DESCRIPTION

THIS DRAWING IS A CONTROLLED DOCUMENT.		DWN 25JUN2015 David Wang	TE Connectivity	
DIMENSIONS: mm		CHK 25JUN2015 Chris Wang	NAME H16B-AD-LB	
TOLERANCES UNLESS OTHERWISE SPECIFIED:		APVD 25JUN2015 Xiang Xu	PRODUCT SPEC 108-137013	
0 PLC	±	APPLICATION SPEC	SIZE	CAGE CODE
1 PLC	±	114-137013	A2	00779
2 PLC	±	WEIGHT	DRAWING NO. C-T1510163000000	
3 PLC	±	Customer Drawing	SCALE	1:1
4 PLC	±		SHEET	1 OF 1
ANGLES	±		REV	C
FINISH	-			