

Origin:

Customer:

NOTES:

- 1). Units: in(mm)
- 2). All ferrous parts Hot Dip Galv.To ASTM A153
- 3). Additional Mark on Porcelain: Batch traceability number
- 4). Mark on Porcelain:

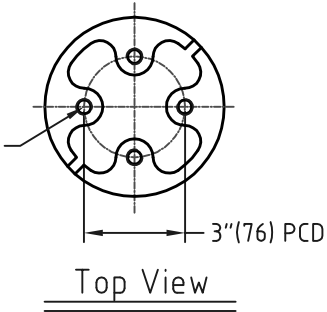


TR214

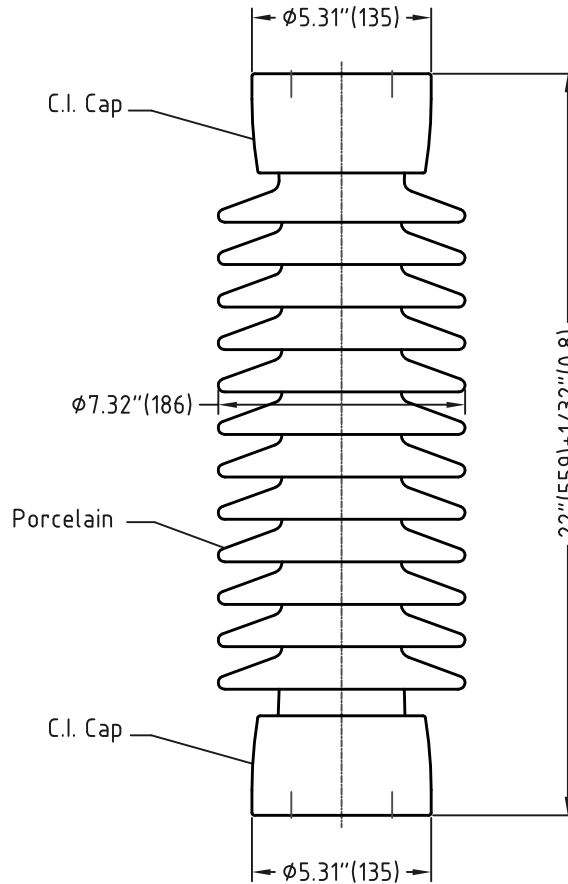
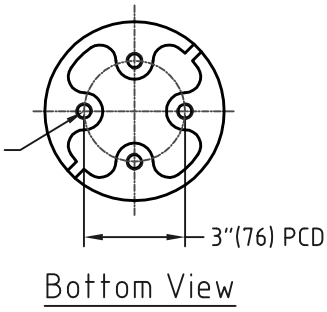
4090

Month Year

1/2"-13 UNC Tapped Hole
0.015" Oversize
Fully Thread 0.63"(16) Deep
Equi-spaced, 4 Pl.



1/2"-13 UNC Tapped Hole
0.015" Oversize
Fully Thread 0.63"(16) Deep
Equi-spaced, 4 Pl.



ELECTRICAL PROPERTIES

Critical Impulse Flashover Voltage

Positive	kV	280
Impulse Withstand Voltage	kV	250
Wet p.f. Withstand Voltage	kV	100
Radio-Influence Voltage		
Test Voltage to Ground	kV	30
Max. RIV at 1000kHz	uV	200

PHYSICAL PROPERTIES

Nominal Creepage Distance	in(mm)	43(1092)
Nett Weight	lb(kg)	55.3(25.1)
Gross Weight	lb(kg)	----
Colour		Light Grey

MECHANICAL PROPERTIES

Tension Strength	lb(kN)	14000(62.3)
Compression Strength	lb(kN)	15000(66.7)
Torsion Strength	in-lb(N-m)	12000(1356)
Cantilever Strength	lb(kN)	2000(8.9)

Reference Standard: ANSI C29.9



7	Update the marking	YQ	Greg	Scale	
6	Change to the TE logo	YQ	Greg	Drawn	YQ
9	Update the description	YQ	Greg	Check	MK
8	Update the marking	YQ	Greg	Approve	Greg
Issue	Change	Drawn	Auth	Issue Date	13/9-2013

Title:
Solid Core
Station Post Insulator

Designation	SP-TR214PG
TCPN	1-1198118-3
Drawing No.	4090AX
Issue	9