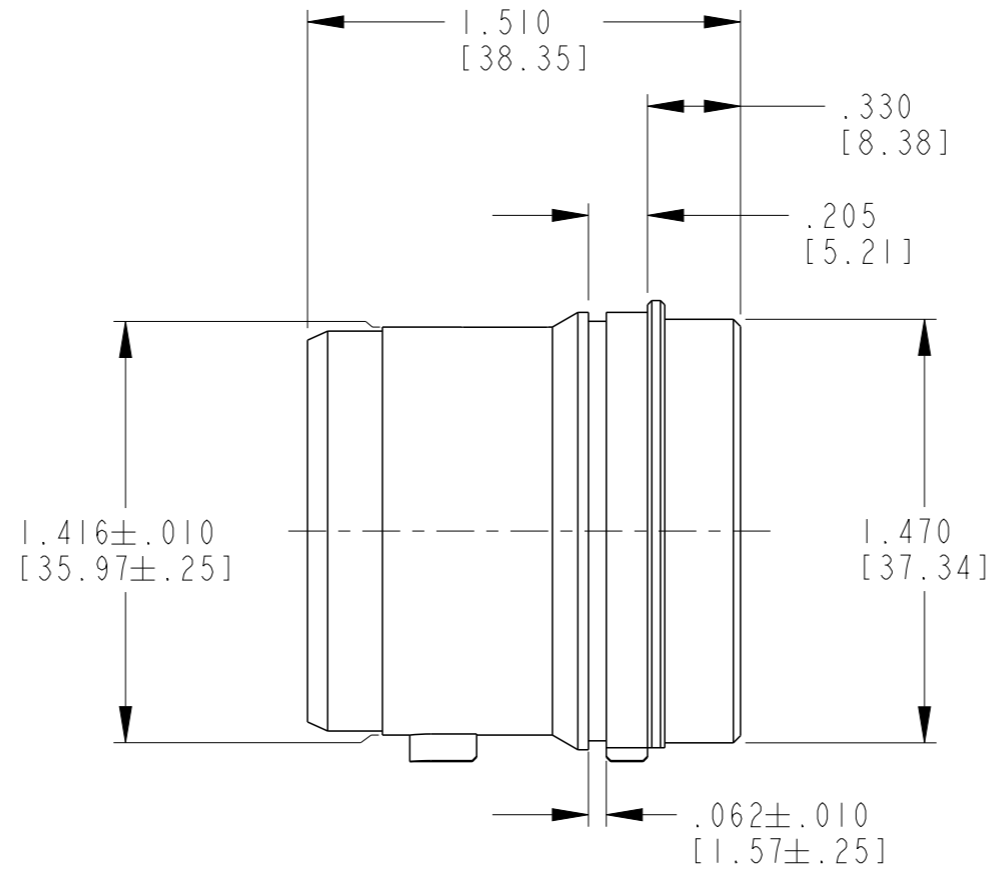
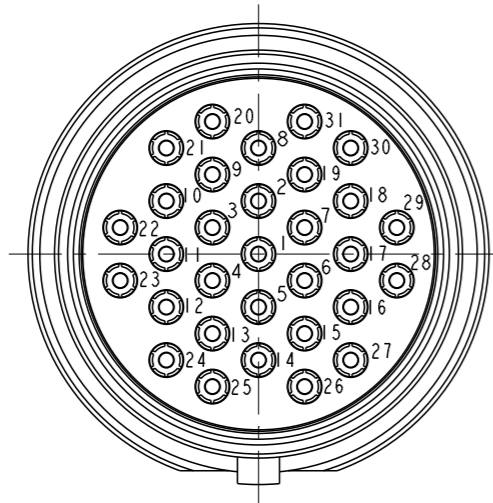
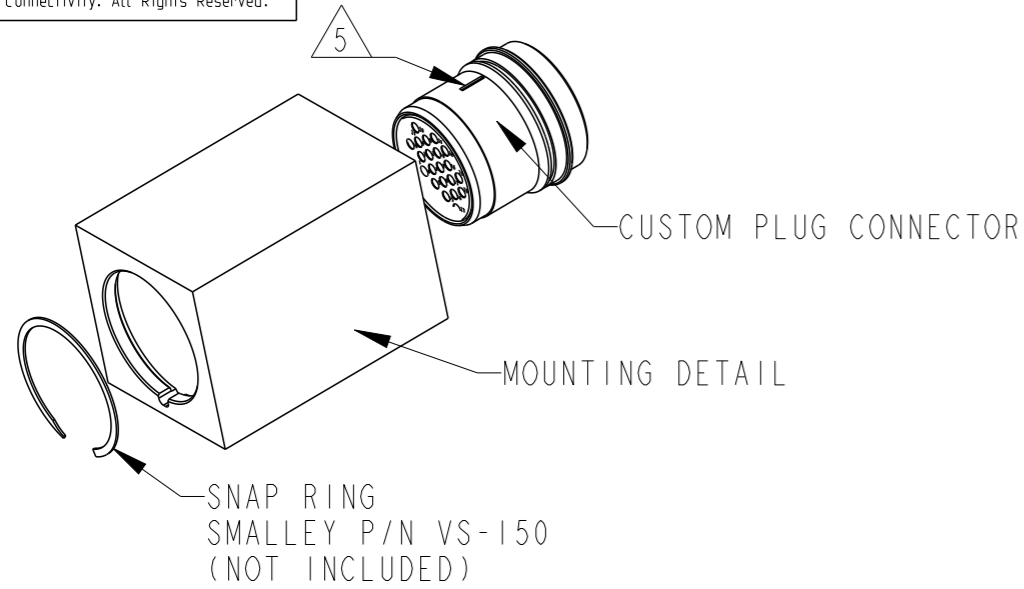


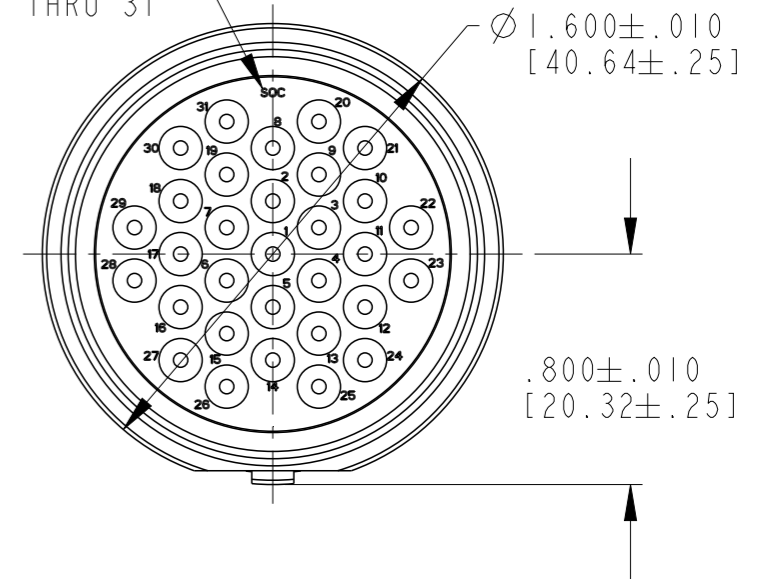
© 2021 TE Connectivity. All Rights Reserved.

REVISIONS

P	LTR	DESCRIPTION	DATE	DWN	APVD
	NC	NEW RELEASE PER E.O. PI8345	10/3/03	AR	RDR
	A	REVISED PER E.O. PI8393	11-24-03	AR	RDR
	B	REVISED PER PCN-21-119605	27OCT2021	CO	IG
	B1	REVISED PER PCN-22-126843	17JAN2022	CO	IG



ARRANGEMENT OF CONTACT LOCATION SOCKETS 1 THRU 31



5 OPTIONAL FEATURE.

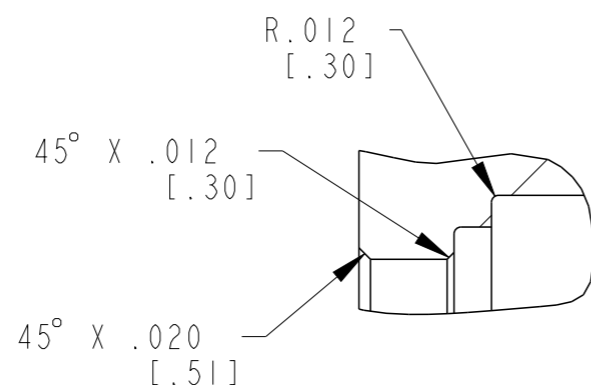
- 4. .050 REF [1.28] NOMINAL CONNECTOR FLOAT BETWEEN SNAP RING AND SIDE OF MOUNTING.
- 3. THIS PART MATES WITH HD34-24-9IPX-B019. ("X" INDICATES WIRE SEAL TYPE)
- 2. FOR CONTACTS, WIRE PERFORMANCE AND APPLICATION CHARACTERISTICS SEE ENVELOPE DWG. 0425-015-0000.
- 1. FOR PERFORMANCE AND APPLICATION CHARACTERISTICS SEE ENVELOPE DWG 0425-016-0000. MOUNTING APPLICATION NOT APPLICABLE TO HD34-24-9IPX-B019. REFER TO SHEET -2- OF THIS DRAWING FOR CUSTOM MOUNTING APPLICATION.

NOTES:

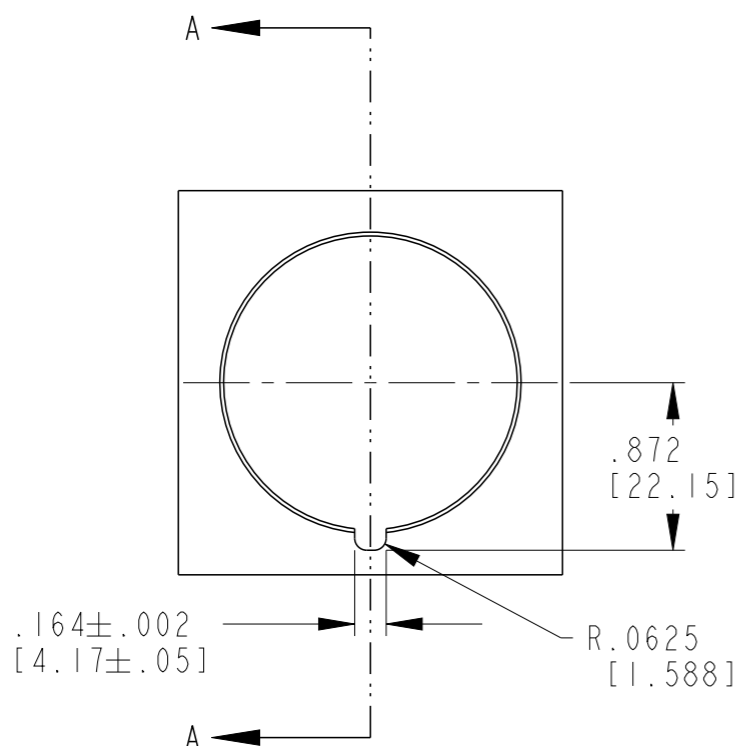
THIS DRAWING IS A CONTROLLED DOCUMENT.		DWN A. ROLINSKI 10/01/03			
DIMENSIONS: IN [mm]		CHK B. BYFORD 11/14/03			
TOLERANCES UNLESS OTHERWISE SPECIFIED:		APVD S. BEARD 11-14-03	NAME 31 WAY CUSTOM MOUNT PLUG CONNECTOR SHELL SIZE 24 HD30 SERIES		
		PRODUCT SPEC	RESTRICTED TO		
0 PLC ± 1 PLC ± 2 PLC ± 3 PLC ±.025 [±0.64] 4 PLC ± ANGLES ±		APPLICATION SPEC	SIZE A3	CAGE CODE 11139	DRAWING NO G=HD36-24-31SX-B019
MATERIAL		WEIGHT 0.043 KG	-		
FINISH		CUSTOMER DRAWING	SCALE 1.5:	SHEET 1 OF 2	REV B1

REVISIONS

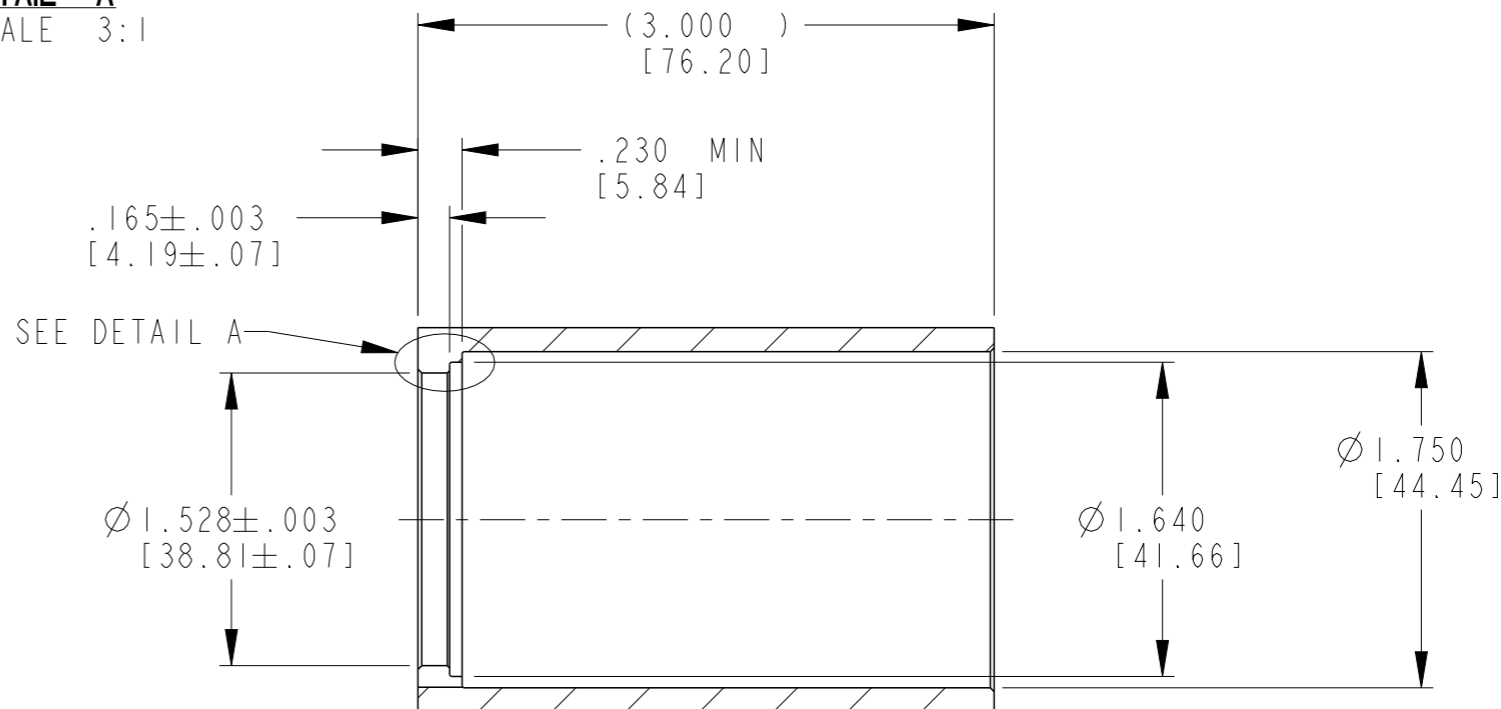
P	LTR	DESCRIPTION	DATE	DWN	APVD
-	-	SEE SHEET 1	-	-	-



**DETAIL A**  
SCALE 3:1



**MOUNTING DETAIL FOR PLUG**  
ALL DIMENSIONS ARE ±.005  
UNLESS OTHERWISE SPECIFIED



**SECTION A-A**

THIS DRAWING IS A CONTROLLED DOCUMENT.		DWN A. ROLINSKI 10/01/03														
DIMENSIONS: IN [mm]		CHK B. BYFORD 11/14/03														
TOLERANCES UNLESS OTHERWISE SPECIFIED:		APVD S. BEARD 11-14-03	NAME 31 WAY CUSTOM MOUNT PLUG CONNECTOR SHELL SIZE 24 HD30 SERIES													
<table border="0"> <tr> <td>0 PLC</td> <td>±</td> </tr> <tr> <td>1 PLC</td> <td>±</td> </tr> <tr> <td>2 PLC</td> <td>±</td> </tr> <tr> <td>3 PLC</td> <td>±.025 [±0.64]</td> </tr> <tr> <td>4 PLC</td> <td>±</td> </tr> <tr> <td>ANGLES</td> <td>±</td> </tr> </table>		0 PLC	±	1 PLC	±	2 PLC	±	3 PLC	±.025 [±0.64]	4 PLC	±	ANGLES	±	PRODUCT SPEC	RESTRICTED TO	
0 PLC	±															
1 PLC	±															
2 PLC	±															
3 PLC	±.025 [±0.64]															
4 PLC	±															
ANGLES	±															
MATERIAL		APPLICATION SPEC	SIZE A3	CAGE CODE 11139	DRAWING NO G=HD36-24-31SX-B019											
FINISH		WEIGHT 0.043 KG	SCALE 1.5:		SHEET 2 OF 2											
		CUSTOMER DRAWING	REV B1													