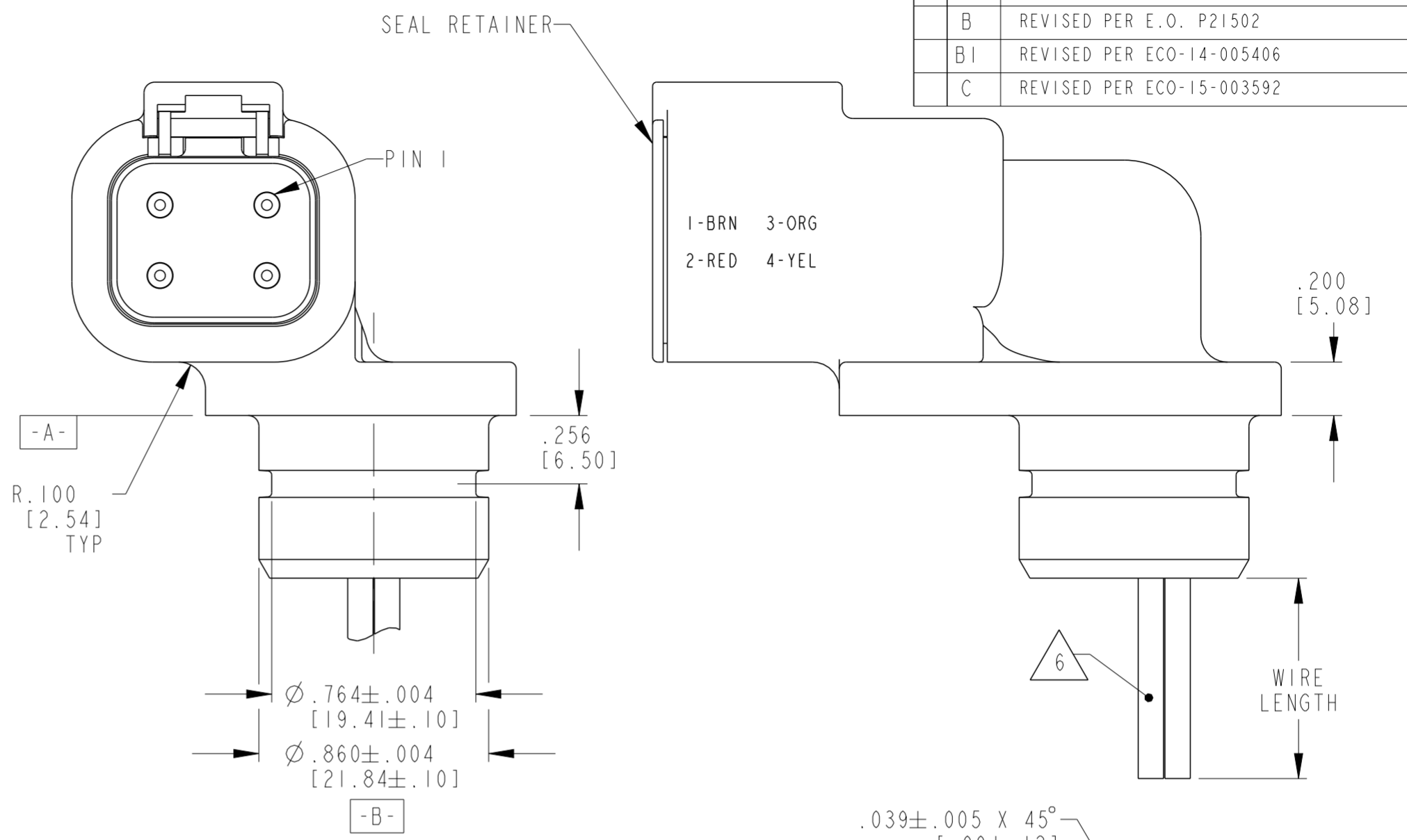
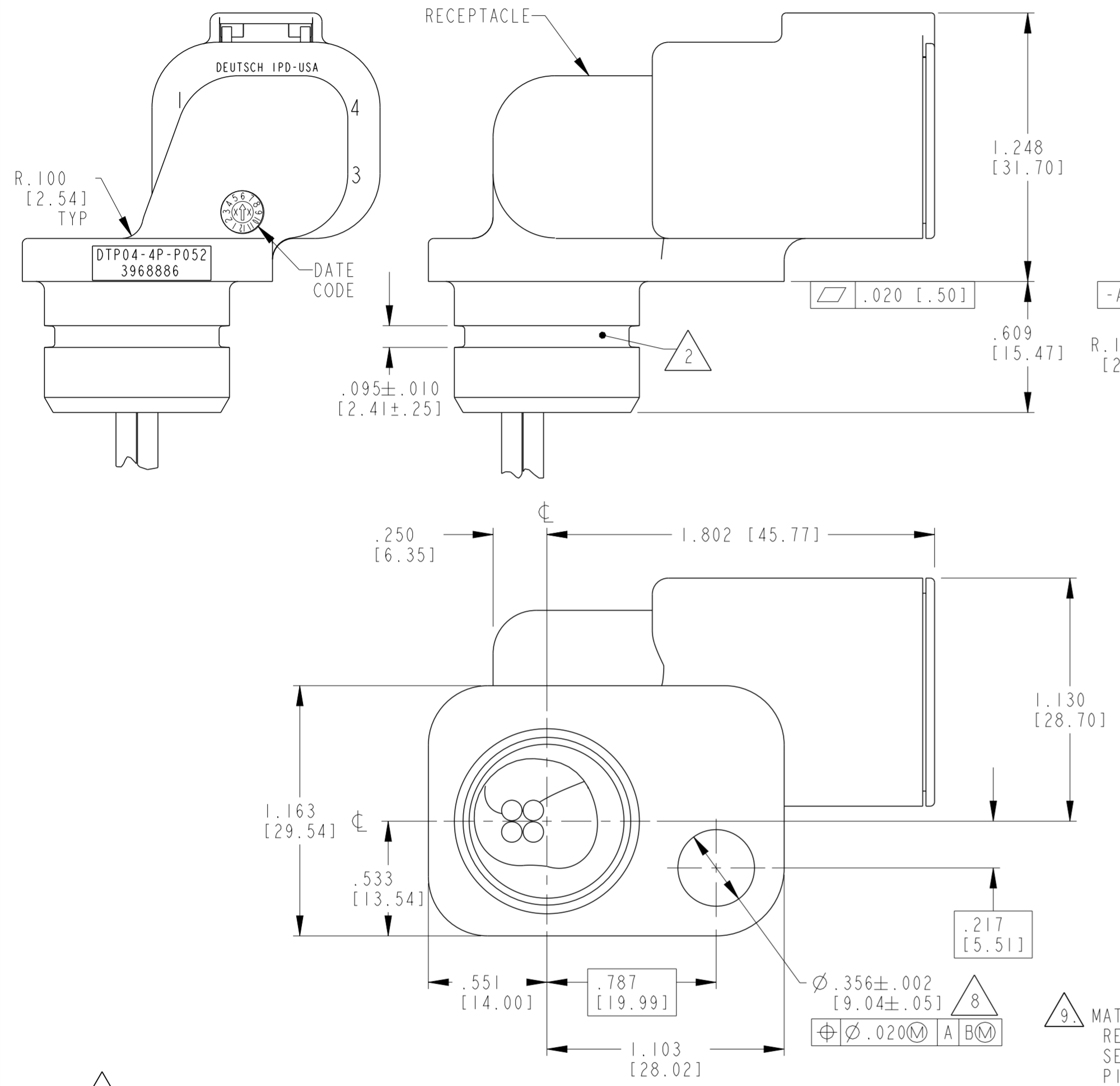


THIS DRAWING IS UNPUBLISHED
 RELEASED FOR PUBLICATION 2015
 © COPYRIGHT 2015 BY TE CONNECTIVITY ALL RIGHTS RESERVED.

REVISIONS							
LOC	DIST	P	LTR	DESCRIPTION	DATE	DWN	APVD
-	-		A	REVISED PER E.O. P21114	27SEP2011	-	RDR
			B	REVISED PER E.O. P21502	09NOV2012	-	RDR
			BI	REVISED PER ECO-14-005406	05MAY2014	PV	DM
			C	REVISED PER ECO-15-003592	14APR2015	VNB	DM



RECOMMENDED CUTOUT

- 6. CONDUCTORS ARE PER MIL-W-16878/4, TYPE E, 14AWG, 19 STRAND SILVER-PLATED COPPER CONDUCTOR, TEMPERATURE: -60°C TO +200°C, VOLTAGE: 600V RMS. EXTRUDED TFE (TEFLON) INSULATION.
 - 5. THIS RECEPTACLE MATES WITH DTP06-4S-XXXX PLUG. (XXXX = ALL MODIFICATIONS)
 - 4. CLEARANCE REQUIRED FOR PLUG DISCONNECT IS 3.180 [80.77]. (FROM ϕ OF 'O' RING HOLE)
 - 3. REAR END OF MATED PLUG TO ϕ OF 'O' RING HOLE IS 2.376 [60.35].
 - 2. RECOMMENDED CROSS SECTION OF 'O' RING (CUSTOMER SUPPLIED) NOMINAL ϕ = .070 [1.77], >PARKER< SIZE 2-018.
 - 1. TOLERANCES: DIMENSIONS: ±.025[.63]. WIRE LENGTHS: ±.118 [3.00]
- NOTES: UNLESS OTHERWISE SPECIFIED

- 9. MATERIAL:
 RECEPTACLE: PA66 GF15 (GREY)
 SEAL RETAINER: PA66 GF15 (GREY)
 PINS: CU ALLOY, NICKEL PLATED
 INTERNAL SEAL: SILICONE
 INTERFACE SEAL: SILICONE, PHENYL FLUID LUBED (GREEN)
- 8. NOTED DIMENSION DEFINED BY >SPIROL< SPECIFICATIONS.
- 7. THIS MODIFICATION CONSIST OF THE FOLLOWING:
 A. CONTACTS ARE NICKEL PLATED.
 B. FLANGE MOUNTING SIZE AND HOLE DIAMETER ARE ENLARGED TO ACCOMODATE A STANDARD SPLIT SEAM COMPRESSION LIMITER (CUSTOMER SUPPLIED)
 >SPIROL< SIZE: M6. TYPE, LENGTH AND FINISH DEFINED BY CUSTOMER
 C. CUSTOMER PART NUMBER, 3968886 ADDED
 D. WIRE COLOR AND LENGTH:

PIN	WIRE LENGTH	WIRE COLOR
1	9.252 [235.00]	BROWN
2	8.858 [225.00]	RED
3	14.370 [365.00]	ORANGE
4	14.370 [365.00]	YELLOW

THIS DRAWING IS A CONTROLLED DOCUMENT.		DWN PRAVEENA 02MAY2014
DIMENSIONS: INCHES [mm]		CHK K. McKEE 05MAY2014
TOLERANCES UNLESS OTHERWISE SPECIFIED:		APVD D. MEYER 05MAY2014
0 PLC ±	1 PLC ±	2 PLC ±
3 PLC ±	4 PLC ±	ANGLES ±
MATERIAL 9		FINISH

TE INTERNAL PN		DEUTSCH PN	
DTP04-4P-P052		DTP04-4P-P052	
STE TE Connectivity			
NAME		90 DEGREE RECEPTACLE 4 CONTACTS SIZE 12 -P052 MOD, DTP SERIES COLOR: GREY	
SIZE	CAGE CODE	DRAWING NO	RESTRICTED TO
A2	4AFU8	©-DTP04-4P-P052	-
Customer Drawing		SCALE 2:1	SHEET 1 OF 1 REV C