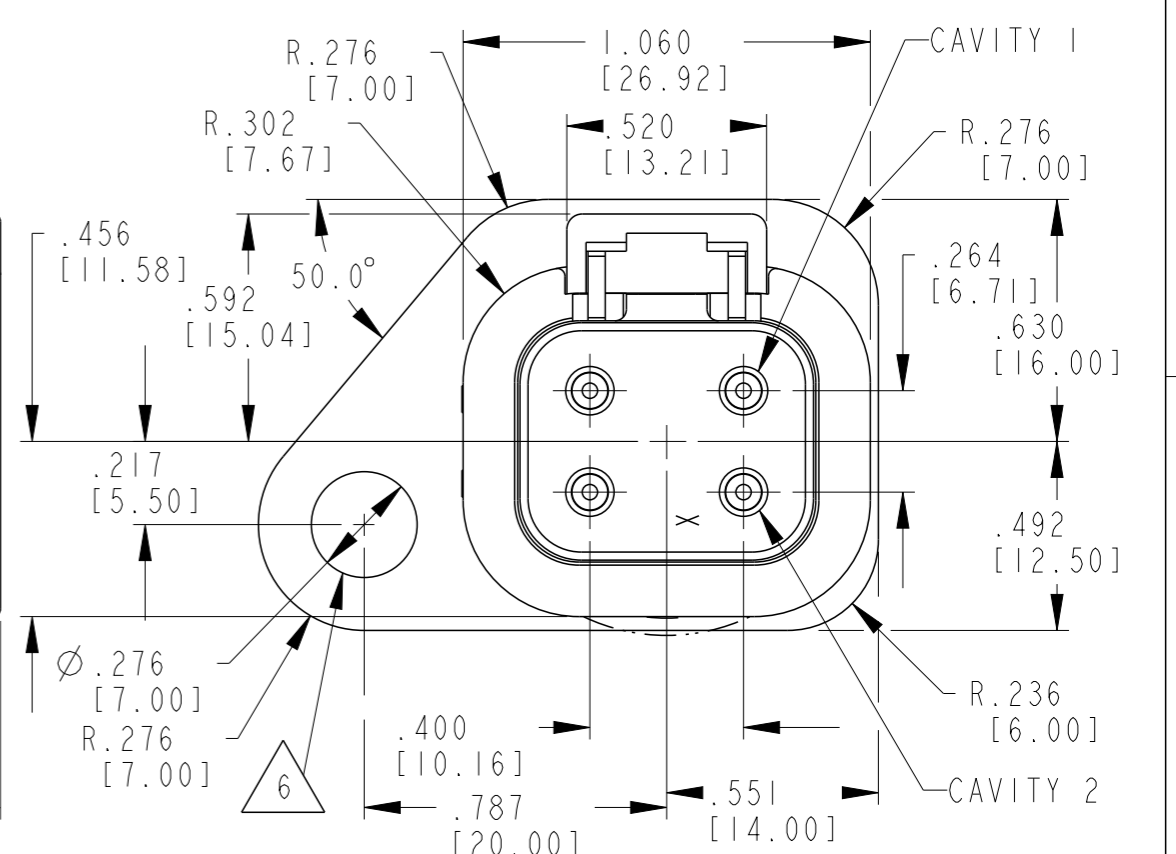
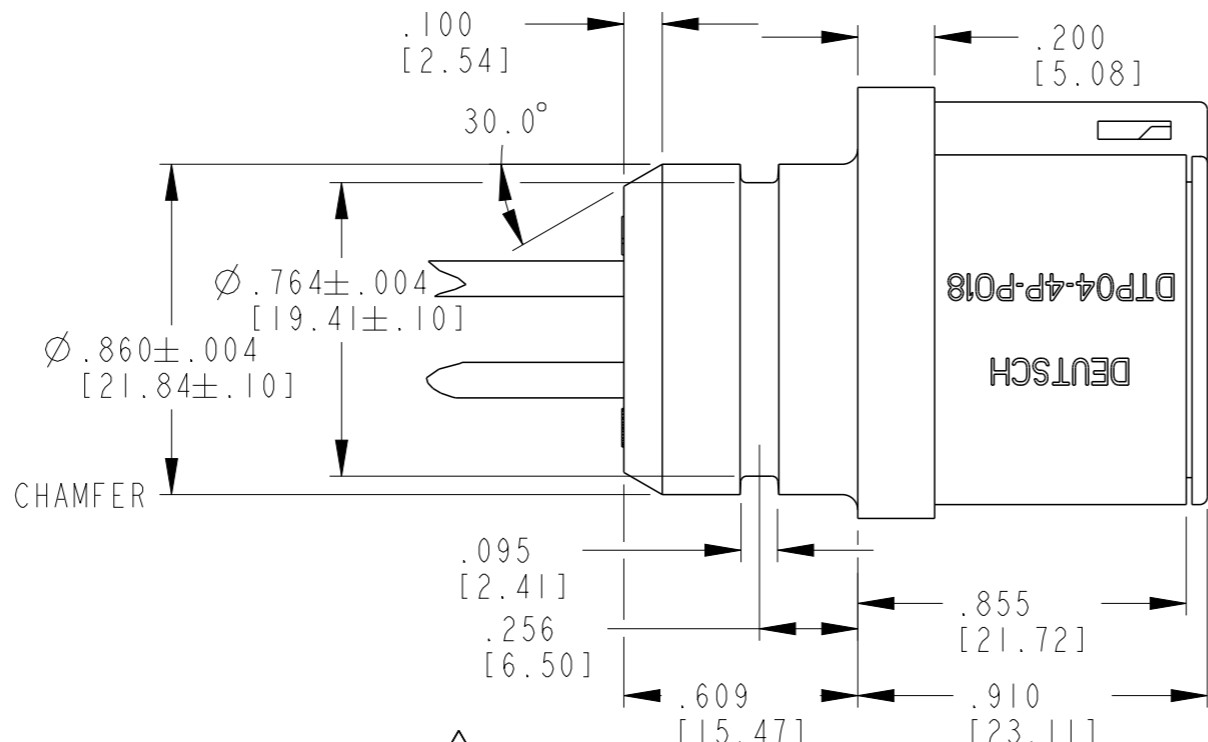
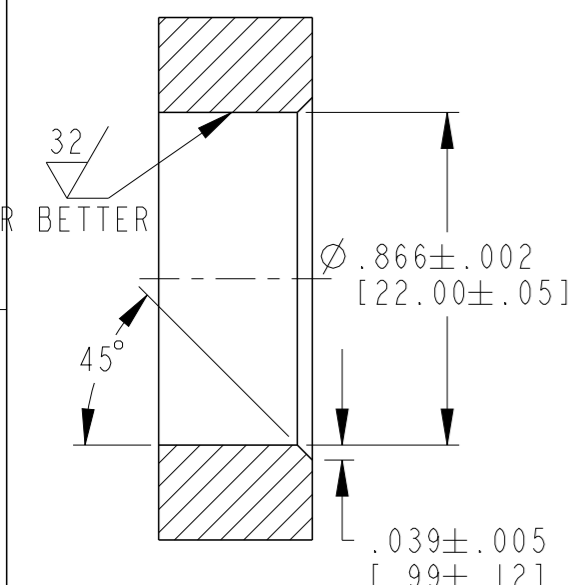
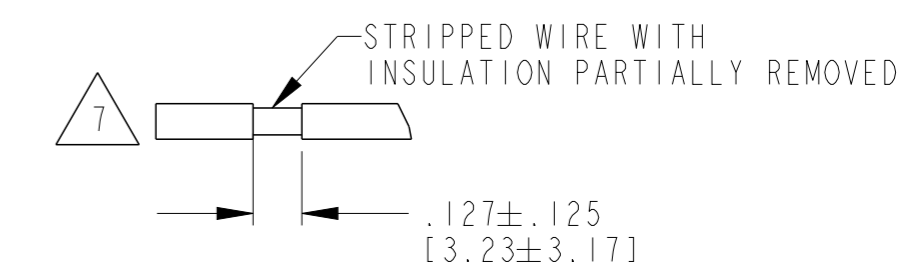
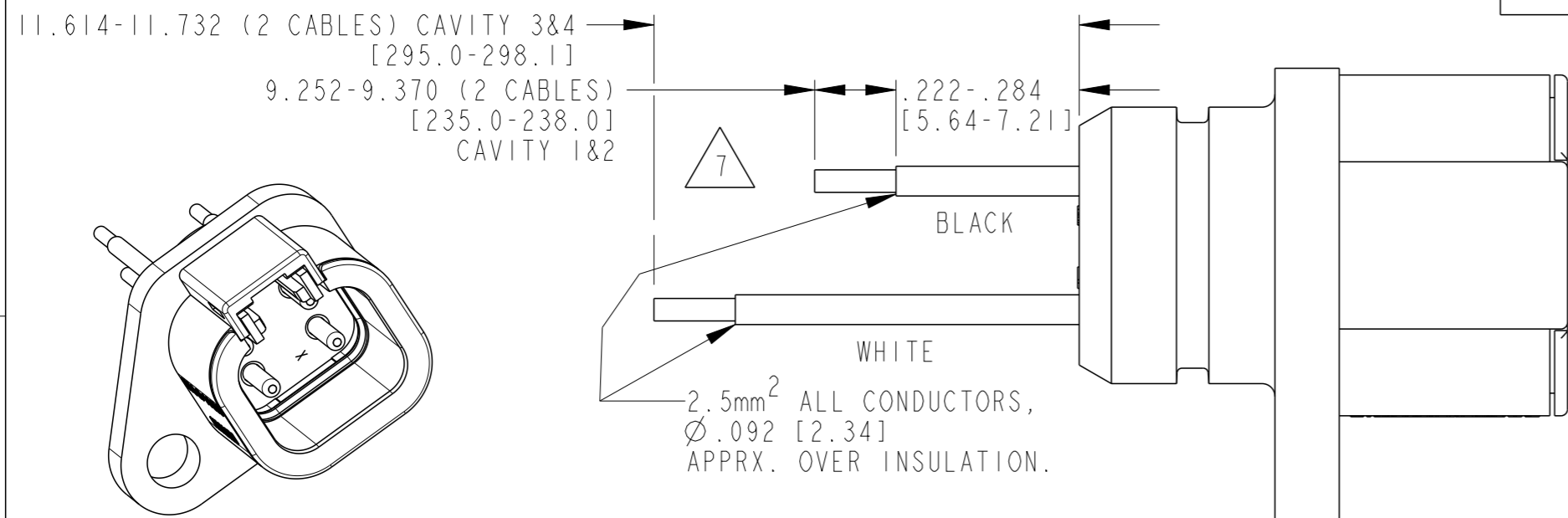


P	LTR	DESCRIPTION	DATE	DWN	APVD
D		REVISED PER E.O. P17048	15OCT2003	-	RDR
E		REVISED PER E.O. P18357	15OCT2003	-	RDR
F		REVISED PER ECO-15-003592	10APR2015	VNB	DM
F2		REVISED PER PCN-19-014403	12SEP2019	AP	DM



- 5. MATERIAL:
 RECEPTACLE: PEI (BLACK)
 SEAL RETAINER: PA66 GF15 (BLACK)
 PINS: CU ALLOY, NICKEL PLATED
 INTERNAL SEAL: SILICONE (ORANGE-RED)
 INTERFACE SEAL: SILICONE, PHENYL FLUID LUBED (GREEN)

7. FOR CLARITY, WIRES ARE SHOWN WITH STRIPPED INSULATION REMOVED. CONNECTORS WILL BE SUPPLIED WITH INSULATION CUT BUT LEFT ON WIRES.

6. RECOMMENDED MOUNTING TORQUE: 35±5 IN-LB [3.95±.56NM] CUSTOMER SUPPLIED. SCREW LENGTH DEFINED BY CUSTOMER.

TE INTERNAL PN	DEUTSCH PN
DTP04-4P-P018	DTP04-4P-P018

- 4. THIS RECEPTACLE MATES WITH DTP06-4S-XXXX PLUG (XXXX=ALL MODIFICATIONS)
- 3. CLEARANCE REQUIRED FOR PLUG DISCONNECT IS 2.275 [57.78].
- 2. REAR END OF PLUG TO FLANGE BASE IS 1.454 [36.93].
- 1. RECOMMENDED O-RING (NOT SUPPLIED): 2-018 (PARKER).

NOTES: UNLESS OTHERWISE SPECIFIED

THIS DRAWING IS A CONTROLLED DOCUMENT.		DWN V. TOMSA 06NOV1997		TE Connectivity NAME RECEPTACLE-EURO.E.A. 4 PIN DTP SERIES	
DIMENSIONS: INCHES [mm]		CHK T. YOHANNES 14OCT2003			
TOLERANCES UNLESS OTHERWISE SPECIFIED:		APVD D. MEYER 13OCT2003			
0 PLC ±- 1 PLC ±- 2 PLC ±- 3 PLC ±0.025 [0.64] 4 PLC ±- ANGLES ±- MATERIAL FINISH -		PRODUCT SPEC -			
MATERIAL 5		APPLICATION SPEC 0425-015-0000		SIZE A3	RESTRICTED TO -
		WEIGHT -		CAGE CODE 4AFU8	DRAWING NO. DTP04-4P-P018
		Customer Drawing		SCALE 2:1	SHEET 1 OF 1 REV F2