

THIS DRAWING IS UNPUBLISHED.

RELEASED FOR PUBLICATION

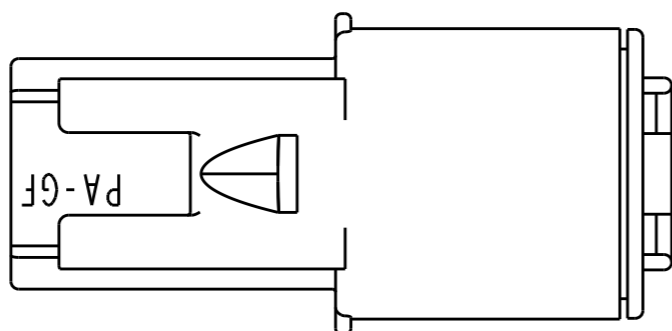
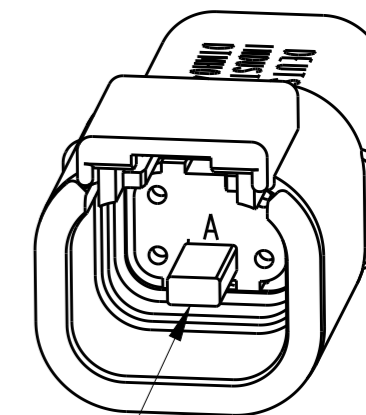
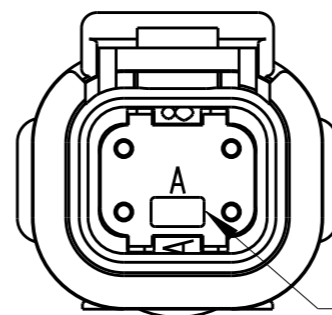
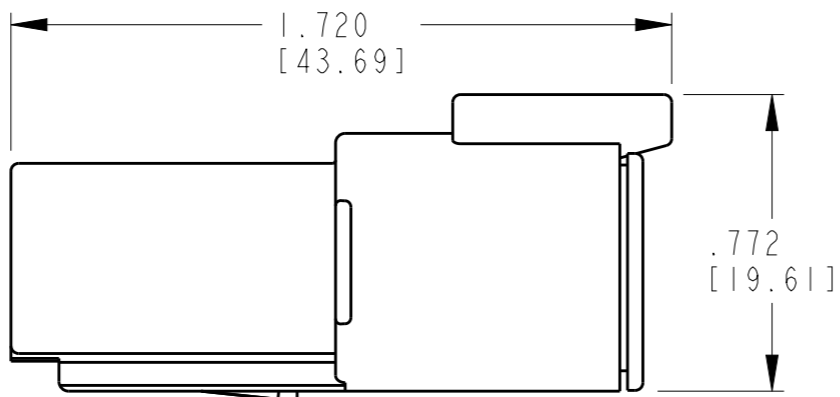
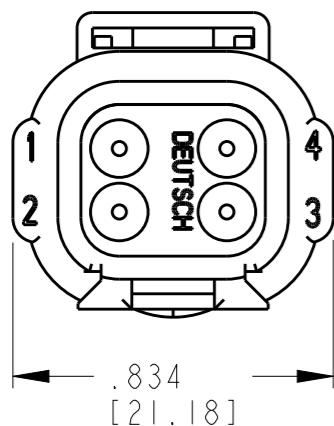
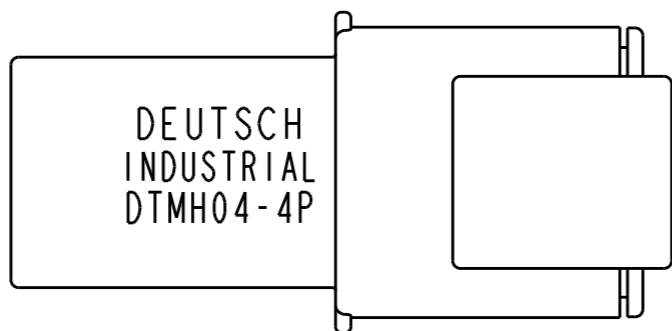
20






© COPYRIGHT 20 BY -

ALL RIGHTS RESERVED.


LOC	DIST
-	-



REVISIONS					
P	LTR	DESCRIPTION	DATE	DWN	APVD
	NC	NEW RELEASE PER E.O. PI9775	5-16-08	DW	RDR
	A	CHANGED PER E.O. PI9993	9-9-08	DW	SB
	B	REVISED PER ECO-13-009529	5-17-13	JA	RM



-  ORIENTATION OF TPA DOES NOT AFFECT FUNCTION OF CONNECTOR.
-  SEE SHEET 2 FOR OTHER KEY ARRANGEMENTS.
- 5. RECEPTACLE IS RATED AT 150°C.
-  MATERIAL - HOUSING: PLASTIC; GROMMET/SEAL: RUBBER
- 3. THIS RECEPTACLE MATES WITH DTMH06-4S* AND DTM06-4S* PLUG. (* = A,B,C,D KEYS).
-  FOR CONTACT AND WIRE PERFORMANCE AND APPLICATION CHARACTERISTICS SEE ENVELOPE DRAWING 0425-015-0000.
-  TERMINAL POSITION ASSURANCE (TPA) LOCK PRE-MOUNTED: WMH-4S* (* = A,B,C,D KEYS)

NOTES: UNLESS OTHERWISE SPECIFIED

CONTACT SIZE	MIN. INSUL. O.D.	MAX. INSUL. O.D.	WIRE RANGE [mm ²] REF ONLY 
20	.053 [1.35]	.120 [3.05]	16-20 AWG [1.0-0.2]

THIS DRAWING IS A CONTROLLED DOCUMENT.		DWN 5-17-13 JAIME C. APOSTOL		 TE Connectivity	
DIMENSIONS: INCHES [mm]		CHK 5-17-13 ROBERT MILLIGAN			
TOLERANCES UNLESS OTHERWISE SPECIFIED:		APVD 5-17-13 ROBERT MILLIGAN		NAME RECEPTACLE, 4 PIN CONTACT SIZE 20, COLOR: BLACK DTMH SERIES	
0 PLC ±- 1 PLC ±- 2 PLC ±- 3 PLC ±0.025 [0.64] 4 PLC ±- ANGLES ±0°30'0"		PRODUCT SPEC -		SIZE A3	
MATERIAL 		APPLICATION SPEC -		CAGE CODE 4AFU8	
FINISH -		WEIGHT 9.69g		DRAWING NO DTMH04-4PX	
		Customer Drawing		RESTRICTED TO -	
		SCALE 2:1		SHEET 1 OF 2	
				REV B	

4

3

2

1

THIS DRAWING IS UNPUBLISHED.

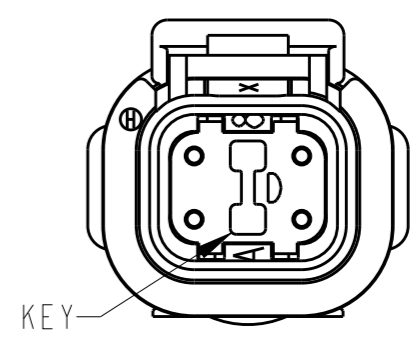
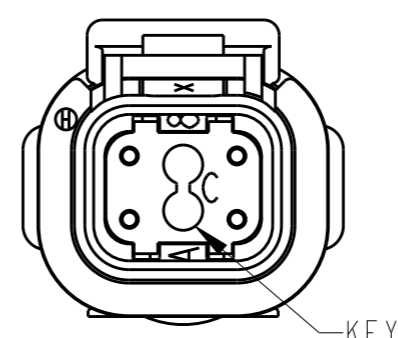
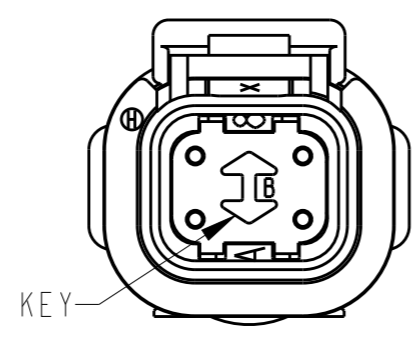
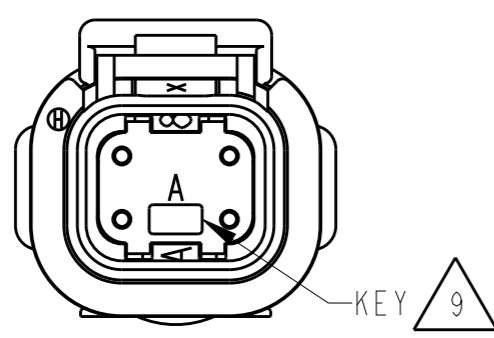
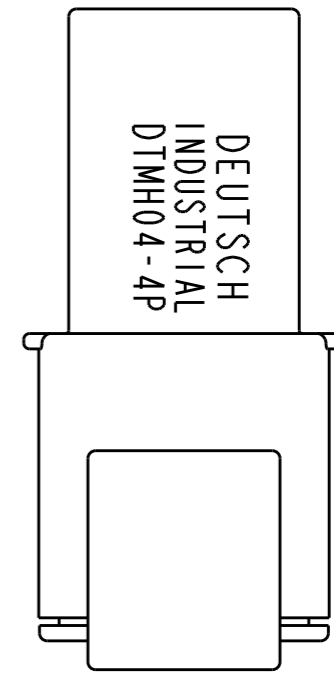
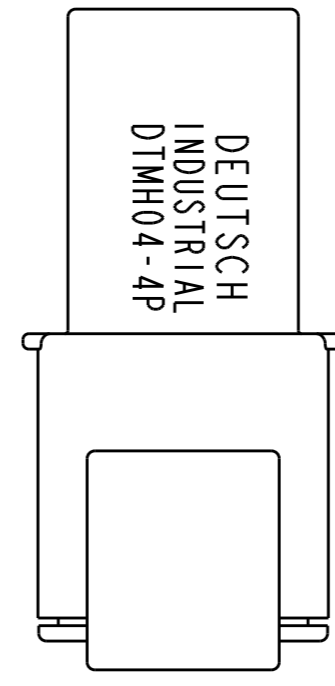
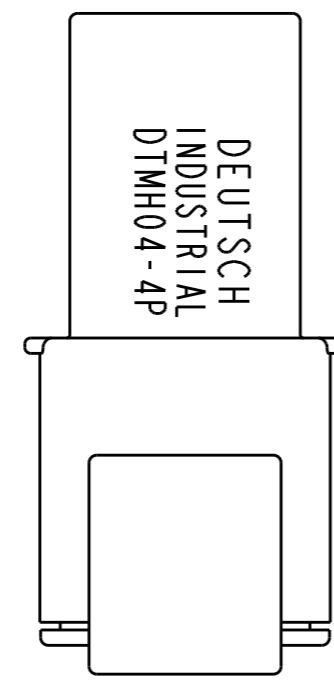
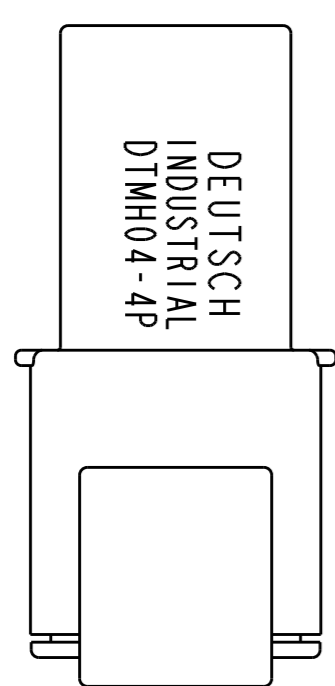
RELEASED FOR PUBLICATION

20

© COPYRIGHT 20 BY -

ALL RIGHTS RESERVED.

LOC	DIST	REVISIONS			
P	LTR	DESCRIPTION	DATE	DWN	APVD
-	-	B	SEE SHEET 1	5-17-13	JA RM


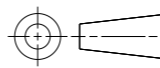



DTMH04-4PA
-A- KEY
TPA COLOR: GREY

DTMH04-4PB
-B- KEY
TPA COLOR: BLACK

DTMH04-4PC
-C- KEY
TPA COLOR: GREEN

DTMH04-4PD
-D- KEY
TPA COLOR: BROWN

THIS DRAWING IS A CONTROLLED DOCUMENT.		DWN JAIME C. APOSTOL 5-17-13	 TE Connectivity	
DIMENSIONS: INCHES [mm]		CHK ROBERT MILLIGAN 5-17-13		
TOLERANCES UNLESS OTHERWISE SPECIFIED:		APVD ROBERT MILLIGAN 5-17-13	NAME RECEPTACLE, 4 PIN CONTACT SIZE 20, COLOR: BLACK DTMH SERIES	
		PRODUCT SPEC -	RESTRICTED TO -	
MATERIAL 		FINISH -	APPLICATION SPEC -	SIZE A3
		WEIGHT 9.69g	Customer Drawing	CAGE CODE 4AFU8
			DRAWING NO DTMH04-4PX	SCALE 2:1
				SHEET 2 OF 2
				REV B