

REV NC DTM13-12P\*-G003

REVISIONS			
SYM	DESCRIPTION	DATE	APPROVED
NC	NEW RELEASE PER E.O. PI9504	4-5-07	RAV

4X R.300 [7.62] FLANGE SEAL

3X KEYWAY

PIN #1

- 4. CONTACT PLATING - MATING SIDE: GOLD (-G003 MOD); PCB SIDE: TIN.
  - 3. MATERIAL - PLASTIC (HOUSING:GRAY; SLEEVE RETAINER: SEE SHEET 2); SEALS: RUBBER.
  - 2. DIMENSION TOLERANCE:±.025 [0.64]; PANEL CUTOUT:±.010 [0.25].
  - 1. DIMENSIONS ARE IN INCHES [mm].
- NOTES: UNLESS OTHERWISE SPECIFIED

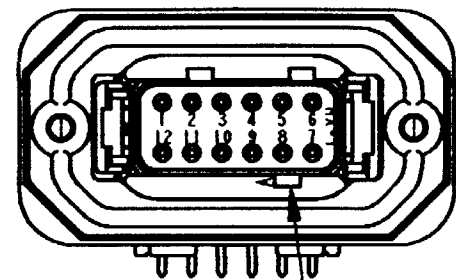
- 9 SURFACE FINISH: 32 RMS OR BETTER; [0.005 [0.12]].
- 8 RECOMMENDED SCREW: 4-20 [M3.12 x 1.27] THREAD-FORMING SCREW. TORQUE: 6-10 IN-LB [0.68-1.13 NM].
- 7 RECOMMENDED SCREW: 6-19 [M3.63 x 1.34] THREAD-FORMING SCREW. TORQUE: 10-20 IN-LB [1.13-2.25 NM].
- 6 SEE SHEET 2 FOR OTHER KEY ARRANGEMENTS.
- 5. THIS RECEPTACLE MATES WITH DTM06-12S\*-\*\*\*\* PLUG (\*=A,B,C,D KEYS; \*\*\*\*=ALL MODIFICATIONS).

SIGNATURE & DATE	
DR	D. MEYER 04/02/07
CHK	<i>Daniel Meyer 4/4/07</i>
PE	<i>D Meyer 4/2/07</i>
APPD	<i>R. Reed 4-5-07</i>
SCALE	NONE WT

RECEPTACLE  
12 #20 SIZE CONTACTS  
KEY ARRANGEMENTS  
A, B, C & D  
-G003 MOD  
DTM SERIES  
ENVELOPE

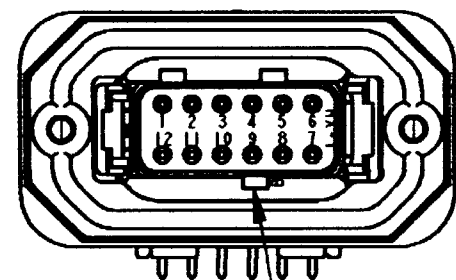
CP	NATL. CODE
<b>The Deutsch Company</b> DEUTSCH I.P.D. 3850 INDUSTRIAL AVE. HEMET, CALIF. 92545	
<b>B</b>	<b>DTM13-12P*-G003</b>
DWG SIZE	CODE 11139 SHEET 1 OF 2

DTM13-12PA-G003  
KEY:-A-



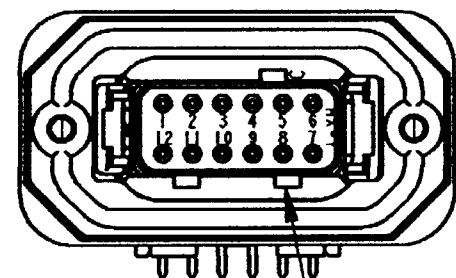
3X KEYWAY  
SLEEVE RETAINER: GRAY

DTM13-12PB-G003  
KEY: -B-



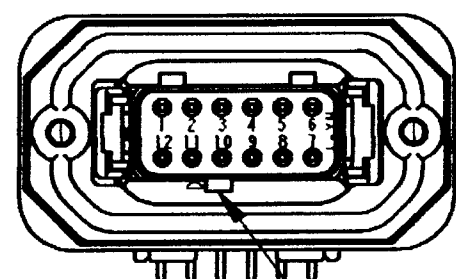
3X KEYWAY  
SLEEVE RETAINER: BLACK

DTM13-12PC-G003  
KEY: -C-



3X KEYWAY  
SLEEVE RETAINER: GREEN

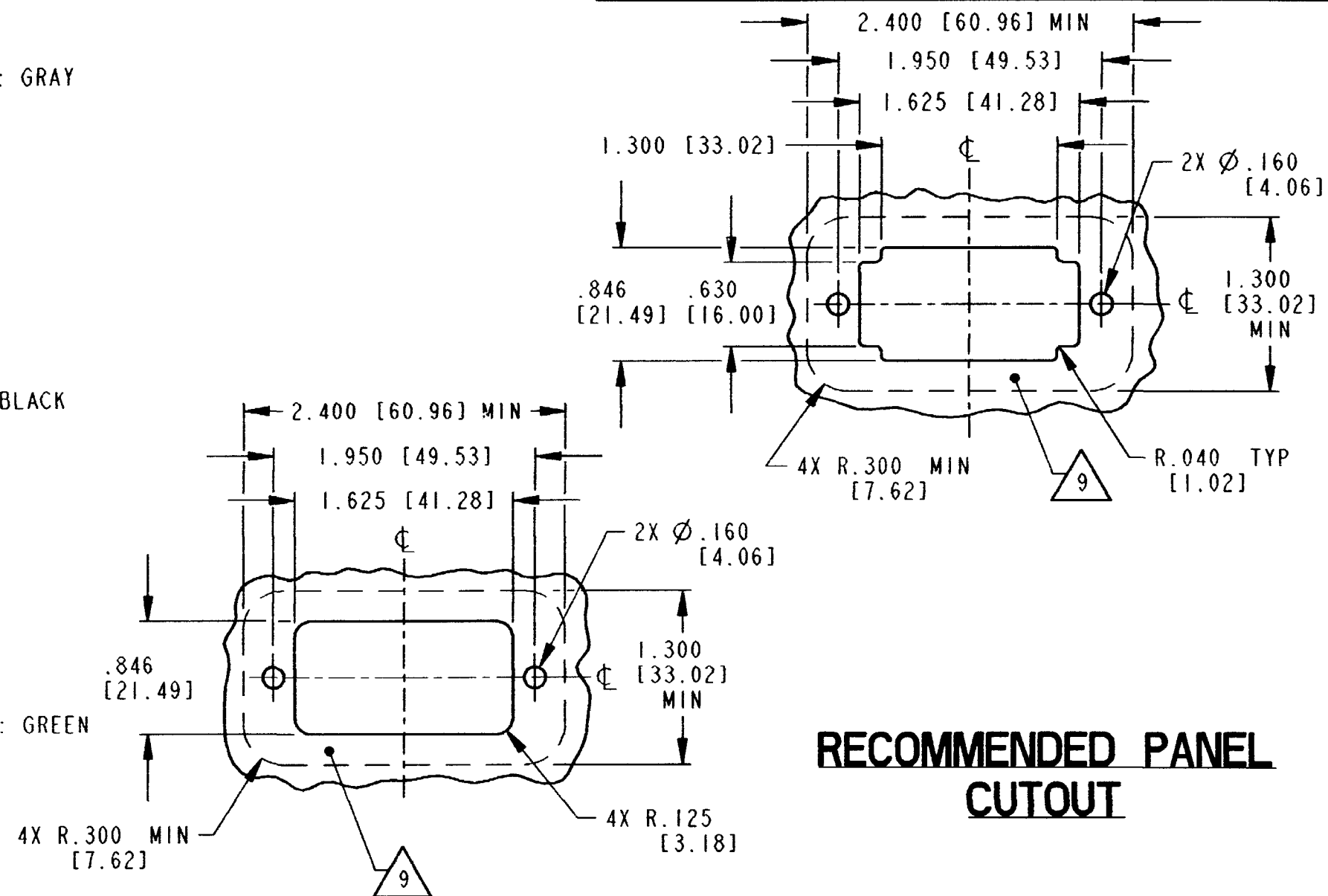
DTM13-12PD-G003  
KEY: -D-



3X KEYWAY  
SLEEVE RETAINER: BROWN

REV	DTM13-12P*-G003
NC	

REVISIONS			
SYM	DESCRIPTION	DATE	APPROVED
NC	SEE SHEET 1	4-5-07	RDR



**RECOMMENDED PANEL  
CUTOUT**

NOTES:

SIGNATURE & DATE	
DR	D. MEYER 04/02/07
CHK	James C. Gumbel 4/4/07
PE	D. Meyer 4/12/07
APPD	R. Reed 4-5-07
SCALE	NONE WT

RECEPTACLE  
12 #20 SIZE CONTACTS  
KEY ARRANGEMENTS  
A, B, C & D  
-G003 MOD  
DTM SERIES  
ENVELOPE

EP	MATL. CODE
<b>The Deutsch Company</b> DEUTSCH I.P.D. 3850 INDUSTRIAL AVE. HEMET, CALIF. 92545	
<b>B</b>	<b>DTM13-12P*-G003</b>
DWG SIZE	CODE 11139 SHEET 2 OF 2