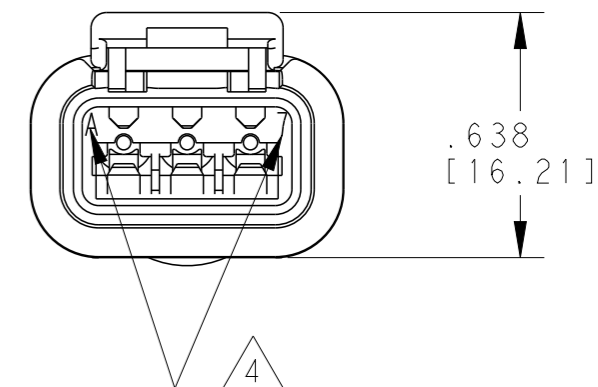
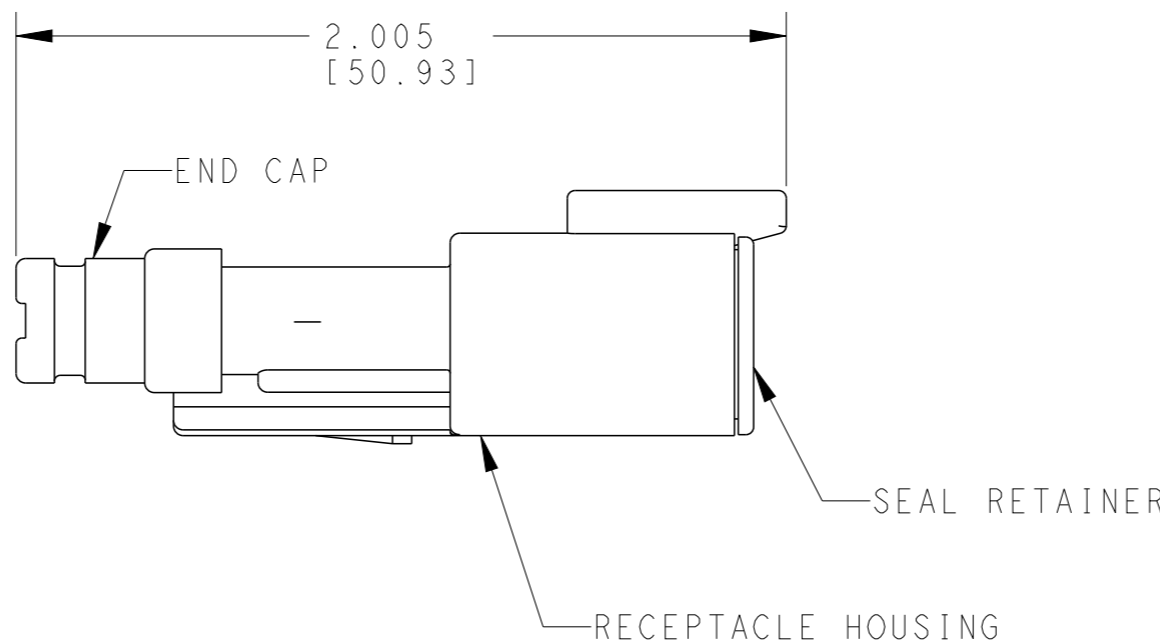
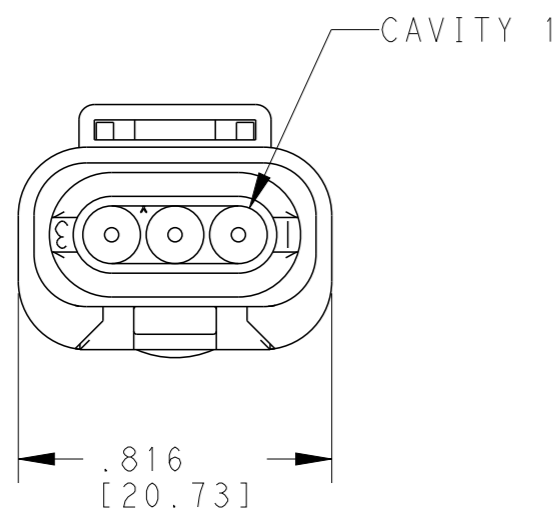
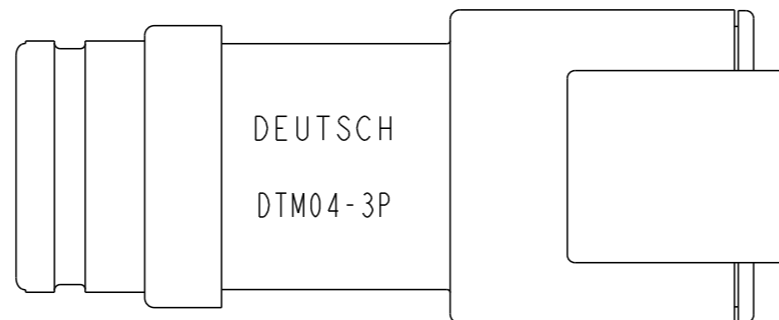
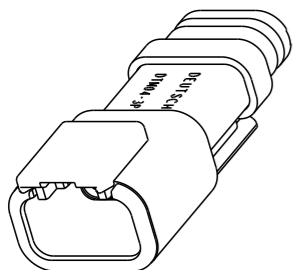


REVISIONS

P	LTR	DESCRIPTION	DATE	DWN	APVD
	A	INITIAL RELEASE	30SEP2015	MGM	DM



4 DATE CODE: MONTH IS REPRESENTED BY SEQUENTIAL ALPHA CHARACTER. EX: A=JANUARY  
 YEAR IS REPRESENTED BY THE LAST DIGIT. EX: 0=2000

3. THE RECEPTACLE MATES WITH DTM06-3S-XXXX PLUG  
 (XXXX = ALL MODIFICATIONS)

2 MATERIAL: RECEPTACLE, END CAP, SEAL RETAINER: PA66 GF15 (GREY)  
 GROMMET, INTERFACE SEAL: SILICONE, VMQ (RED-ORANGE)

1. SECONDARY WEDGE LOCK SOLD SEPARATELY: WM-3P-XXXX  
 (XXXX = ALL MODIFICATION)

NOTES: UNLESS OTHERWISE SPECIFIED

TE INTERNAL PN	DEUTSCH PN
2296610-1	DT04-3P-E007

CONTACT SIZE	MIN. INSUL. O.D.	MAX INSUL. O.D.	WIRE RANGE
20	.053 [1.35]	.120 [3.05]	16-20 AWG [1.0-0.5 mm <sup>2</sup> ]

THIS DRAWING IS A CONTROLLED DOCUMENT.		DWN 30SEP2015 MANJUNATH GM														
DIMENSIONS: INCHES [mm]		CHK 30SEP2015 Milligan, Robert														
TOLERANCES UNLESS OTHERWISE SPECIFIED:		APVD 30SEP2015 DAVID MEYER	NAME RECEPTACLE, 3 PIN DTM SERIES													
<table border="1"> <tr> <td>0 PLC</td> <td>±</td> </tr> <tr> <td>1 PLC</td> <td>±</td> </tr> <tr> <td>2 PLC</td> <td>±</td> </tr> <tr> <td>3 PLC</td> <td>±.025 [.64]</td> </tr> <tr> <td>4 PLC</td> <td>±</td> </tr> <tr> <td>ANGLES</td> <td>±-</td> </tr> </table>		0 PLC	±	1 PLC	±	2 PLC	±	3 PLC	±.025 [.64]	4 PLC	±	ANGLES	±-	PRODUCT SPEC 108-151010	SIZE A3	
0 PLC	±															
1 PLC	±															
2 PLC	±															
3 PLC	±.025 [.64]															
4 PLC	±															
ANGLES	±-															
MATERIAL		APPLICATION SPEC 0425-015-0000	CAGE CODE 4AFU8	DRAWING NO DTM04-3P-E007												
FINISH		WEIGHT 7.03g	RESTRICTED TO -													
2		Customer Drawing	SCALE 2:1	SHEET 1 OF 1												
			REV A													