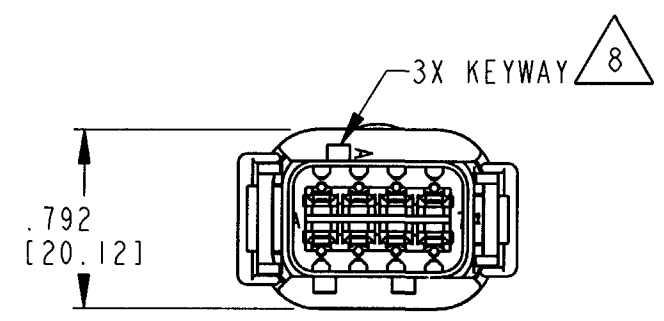
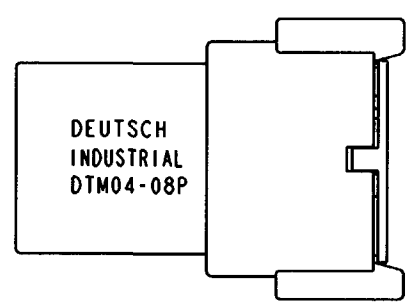
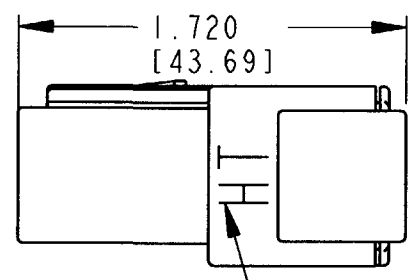
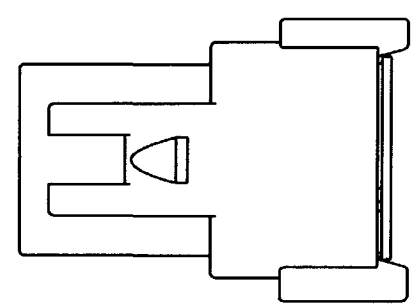
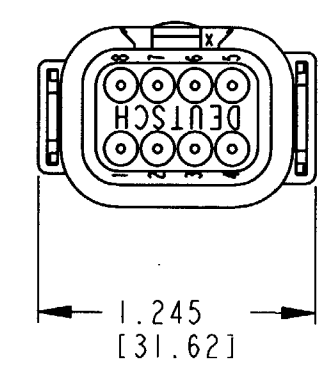
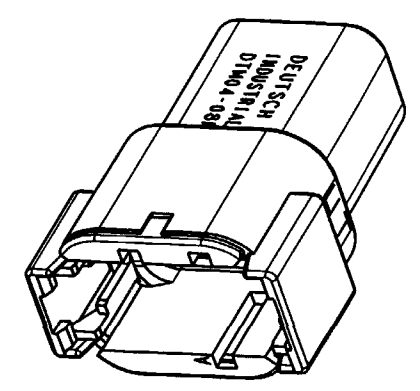


REV  
NC DTM04-08P\*-EE04

REVISIONS			
SYM	DESCRIPTION	DATE	APPROVED
NC	NEW RELEASE PER E.O. P19884	6-16-08	AR



HIGH TEMPERATURE IDENTIFIER

- 8. SEE SHEET 2 FOR OTHER KEY ARRANGEMENTS.
  - 7. PART MODIFICATION: RECEPTACLE IS RATE AT 150°C (COLOR: BLACK).
  - 6. MATERIAL - HOUSING/RETAINER: PLASTIC; GROMMET: RUBBER.
  - 5. CONNECTOR DESIGNED TO BE USED WITH DTM06-08S\*-\*\*\*\* PLUGS. (\* ) = A,B,C,D KEYS, (\*\*\*\*) = ALL HIGH TEMPERATURE MODIFICATIONS. CONSULT FACTORY FOR MODIFICATIONS.
  - 4. FOR CONTACT AND WIRE PERFORMANCE AND APPLICATION CHARACTERISTICS SEE ENVELOPE DRAWING 0425-015-0000.
  - 3. SECONDARY WEDGE LOCK SOLD SEPARATELY: WM-8P.
  - 2. DIMENSION TOLERANCE: ±.025 [.64].
  - 1. DIMENSIONS ARE IN INCHES [mm].
- NOTES: UNLESS OTHERWISE SPECIFIED

CONTACT SIZE	MIN. INSUL. O.D.	MAX. INSUL. O.D.	WIRE RANGE [mm <sup>2</sup> ] REF ONLY
20	.053 [1.35]	.120 [3.05]	16-20 AWG [1.0-0.5]

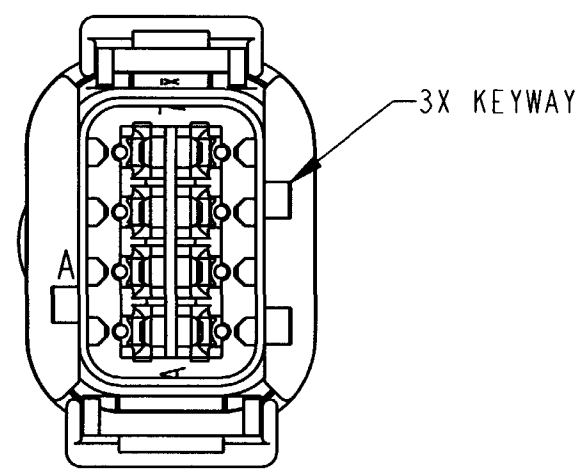
SIGNATURE & DATE	
DR	P. CARNAHAN 5/30/08
CHK	D. May 6/16/08
PE	Paula Conrad 6/13/08
APPD	D. May 6/16/08
SCALE	NONE

RECEPTACLE  
8 CONTACTS, SIZE 20  
A,B,C,D KEYS  
-EE04 MOD  
DTM SERIES

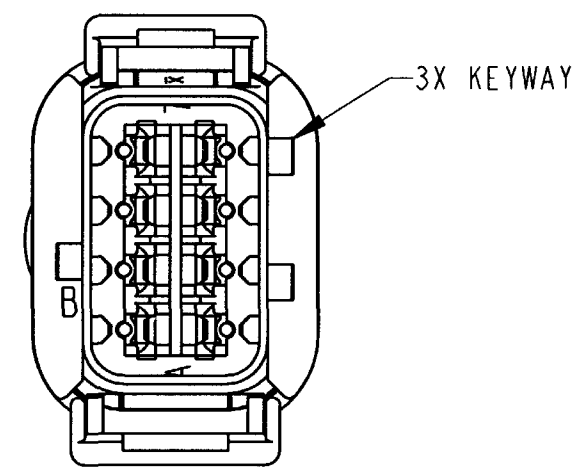
ENVELOPE

EP 172	MATL. CODE
3850 INDUSTRIAL AVE. HEMET, CA 92545	
<b>B</b> DTM04-08P*-EE04	
DWG SIZE	CODE 11139 SHEET 1 OF 2

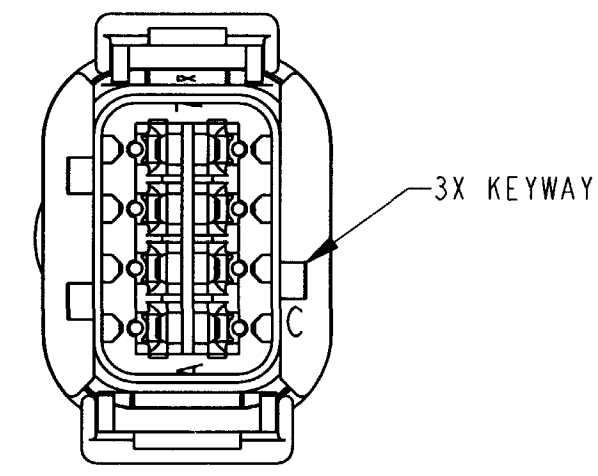
REV	DTM04-08P*-EE04	REVISIONS			
NC		SYM	DESCRIPTION	DATE	APPROVED
		NC	SEE SHEET 1	6-16-08	ADR



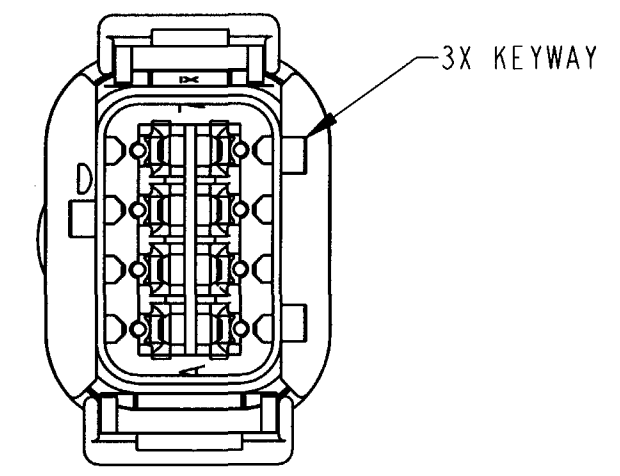
DTM04-08PA-EE04  
KEY -A-  
COLOR: BLACK



DTM04-08PB-EE04  
KEY -B-  
COLOR: BLACK



DTM04-08PC-EE04  
KEY -C-  
COLOR: BLACK



DTM04-08PD-EE04  
KEY -D-  
COLOR: BLACK

NOTES:

SIGNATURE & DATE		RECEPTACLE 8 CONTACTS, SIZE 20 A, B, C, D KEYS -EE04 MOD DTM SERIES	EP 172	MATL. CODE
DR	P. CARNAHAN 5/30/08		3850 INDUSTRIAL AVE. HEMET, CA 92545	
CHK	<i>D. Mauer</i> 6/16/08		<b>DEUTSCH</b> INDUSTRIAL	
PE	<i>Paula Caron</i> 6/13/08		<b>B</b> DTM04-08P*-EE04	
APPD	<i>D. Mauer</i> 6/16/08	ENVELOPE	DWG SIZE	CODE 11139 SHEET 2 OF 2
SCALE	NONE			