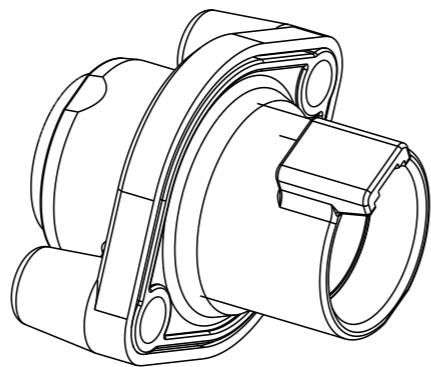
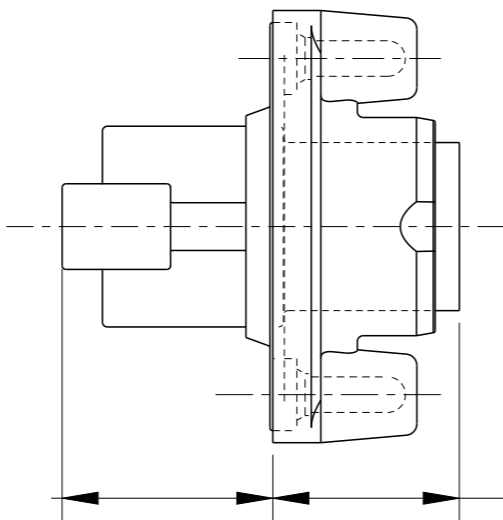
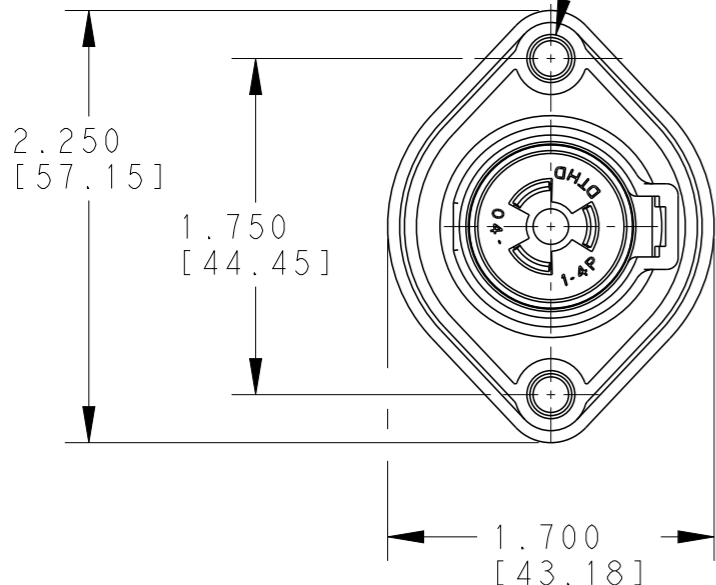


REVISIONS					
P	LTR	DESCRIPTION	DATE	DWN	APVD
B1		REVISED PER PCN E-18-015129	13DEC2018	SS	DM
B2		DRAWING UPDATED	12MAR2024	RK	CB

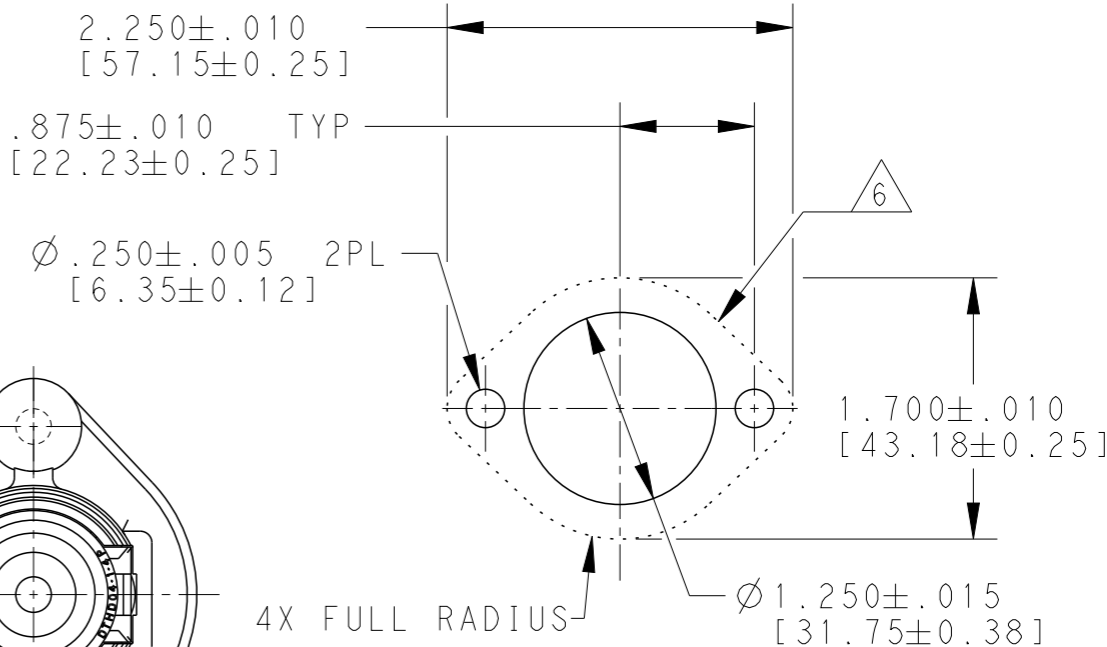
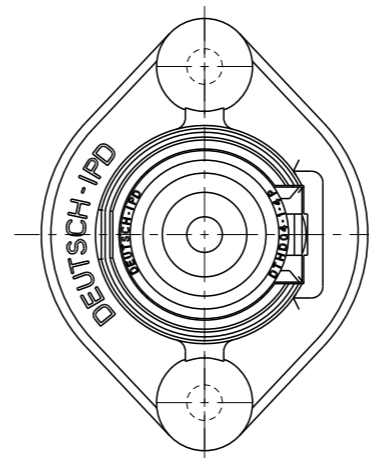


ISOMETRIC VIEW

Ø .185 X .690 DEEP
 [4.70] [17.53]
 FOR 5mm OR #10
 THREAD FORMING
 SCREW.
 (NOT INCLUDED)



1.097 [27.86] .971 [24.66]



RECOMMENDED PANEL DETAIL

- △6 SURFACE FINISH: 32 RMS [0.80 μm] OR BETTER
- △5 MATERIAL: RECEPTACLE: PEI (BLACK); WELD RING: PEI (BLACK); FLANGE SEAL: VMQ (RED-ORANGE); INTERFACE SEAL: VMQ (RED-ORANGE)
- 4. THIS RECEPTACLE MATES WITH DTHD06-1-4S-XXXX PLUG (XXXX=ALL MODIFICATIONS).
- 3. FOR CONTACT INFORMATION, SEE CUSTOMER DRAWING 0425-015-0000.
- 2. FLANGE SEAL TO BE SPLASH PROOF ONLY.
- △1 PANEL TO BE FLAT AND FREE FROM BURRS OR SHARP EDGES.

NOTES:

TE INTERNAL PN	DEUTSCH PN	
DTHD04-1-4P-L009	DTHD04-1-4P-L009	
CONTACT SIZE	MIN. INSUL O.D.	MAX. INSUL O.D.
4	.261 [6.63]	.420 [10.67]

THIS DRAWING IS A CONTROLLED DOCUMENT.		DWN J. HAYNES 12MAY1999		
DIMENSIONS: INCHES (mm)		CHK D. MEYER 17MAY1999		
TOLERANCES UNLESS OTHERWISE SPECIFIED:		APVD D. MEYER 17MAY1999	NAME RECEPTACLE FLANGE MOUNT -L009 MOD DTHD SERIES	
0 PLC ±-		PRODUCT SPEC 108-151020	SIZE A3	
1 PLC ±-		APPLICATION SPEC 114-151020	CAGE CODE 4AFU8	DRAWING NO. DTHD04-1-4P-L009
2 PLC ±-		WEIGHT 31 g	RESTRICTED TO	
3 PLC ±.025 [0.64]		CUSTOMER DRAWING	SCALE 1:1	SHEET 1 OF 1
4 PLC ±-				REV B2
ANGLES ±0°30'0"				
MATERIAL △5	FINISH △6			