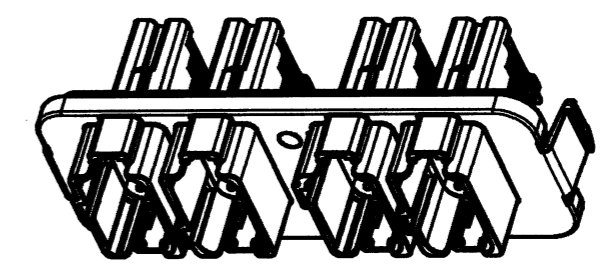
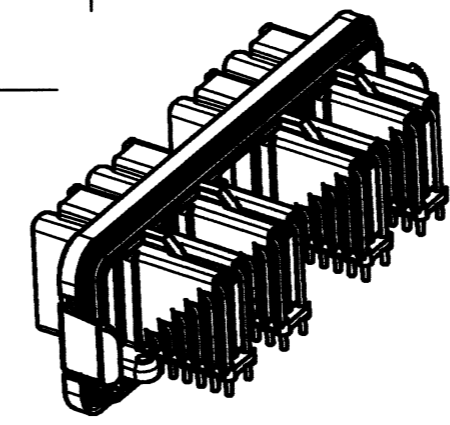
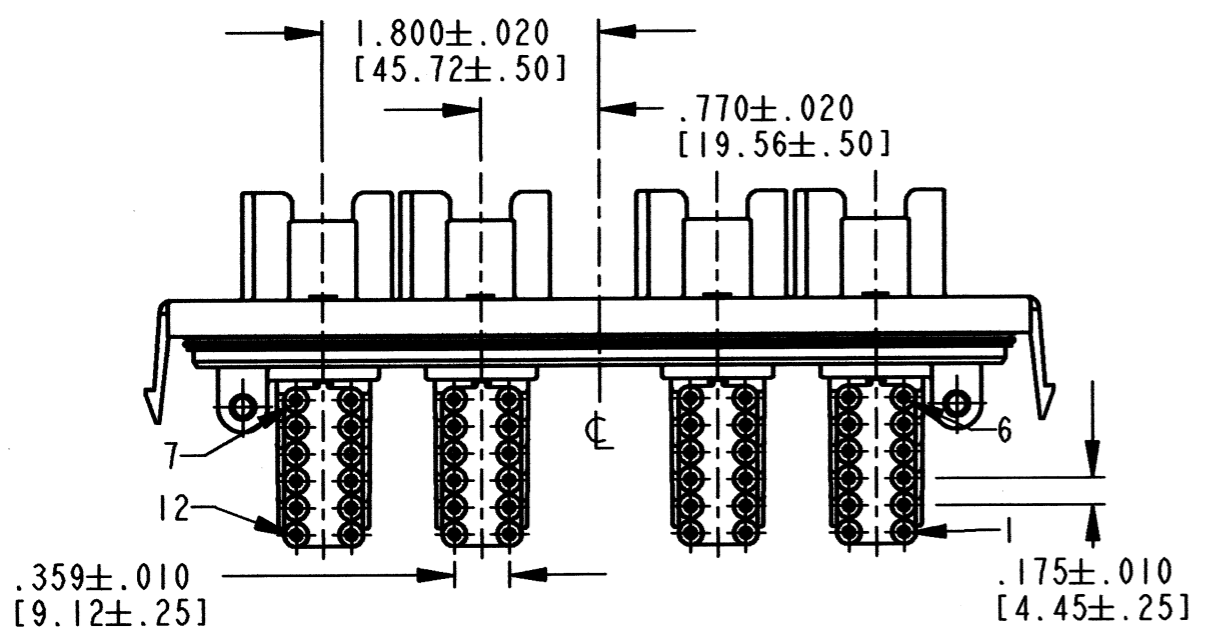
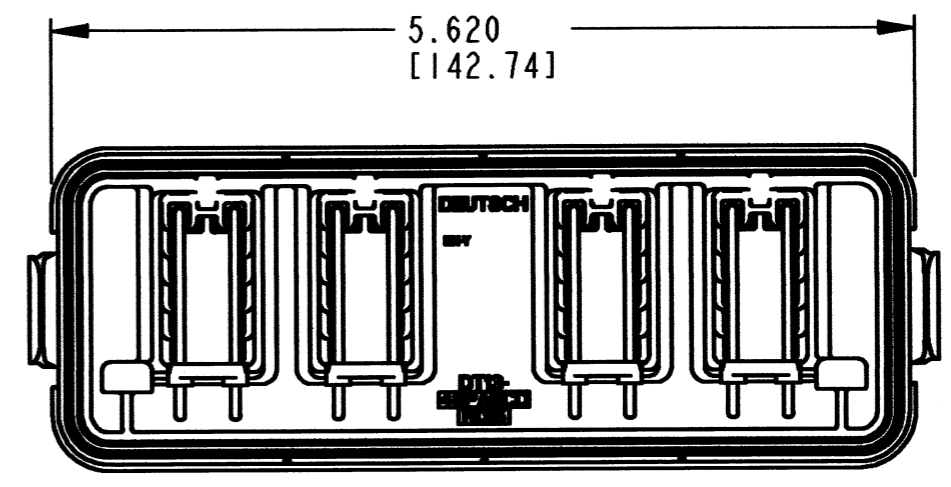
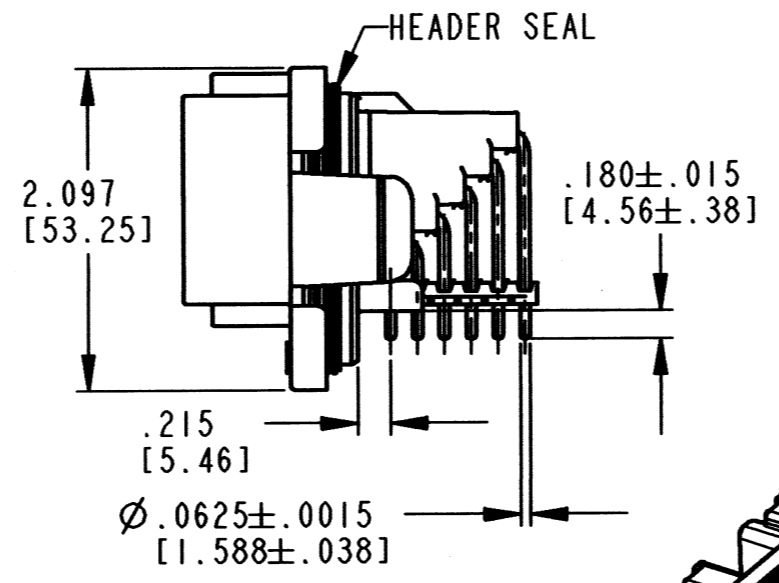
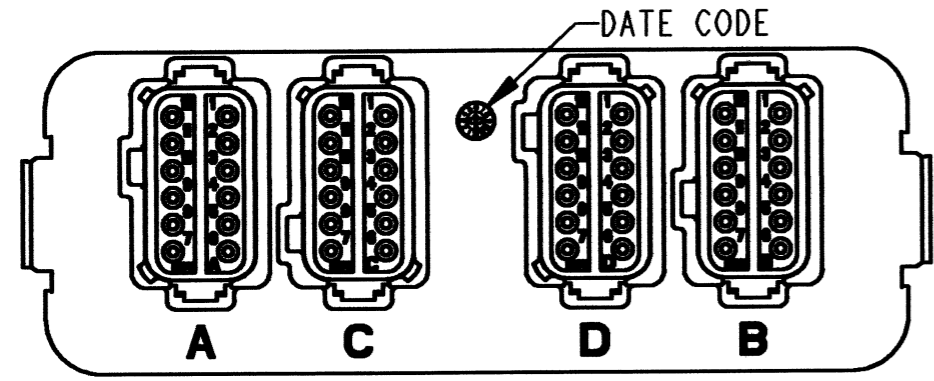
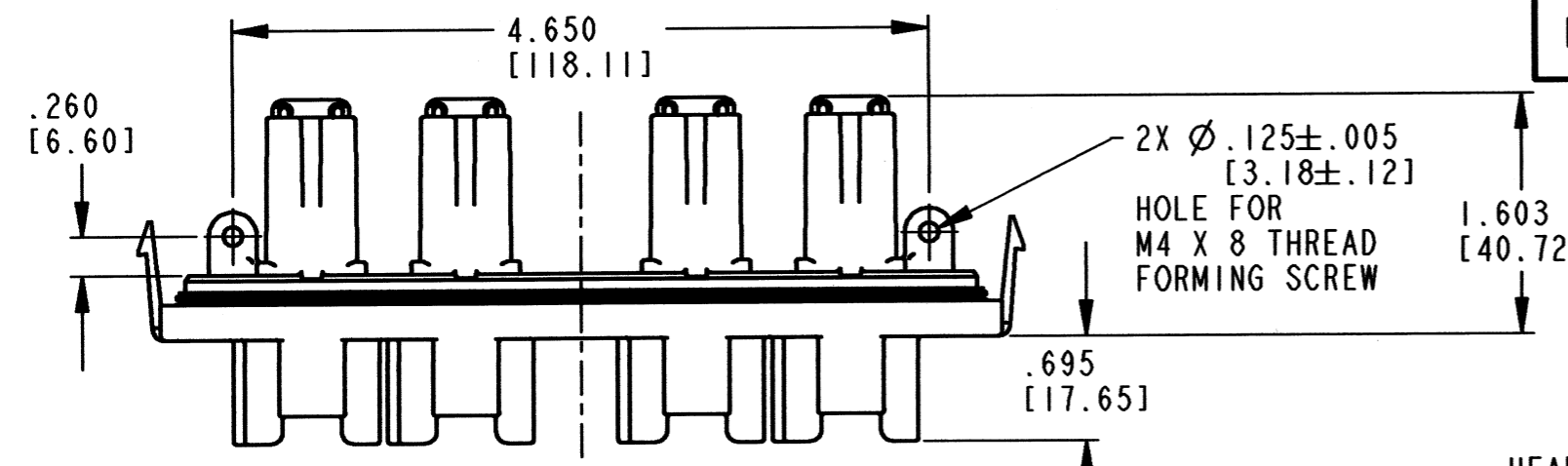


REV  
NC DT13-\*P\*-GR02

REVISIONS			
SYM	DESCRIPTION	DATE	APPROVED
NC	NEW RELEASE PER E.O. P20721	12-17-10	RDR



7. DT13-48PABCD-GR02, SHOWN FOR REFERENCE ONLY. DRAWING APPLIES TO ALL ARRANGEMENTS. (\* = PIN ARR. 12, 24, 36, 48; \* = KEY ARR. A, B, C, D) OTHER ARRANGEMENTS WILL BE WITHOUT PINS OR PIN SPACER IN THE UNUSED KEYS. EX: DT13-12PA-GR02 OR DT13-24PAB-GR02.
6. THIS RECEPTACLE HEADER IS USED WITH EEC-5X650(A OR B) ENCLOSURE. SEE ENVELOPE DRAWING EEC-5X650A/B FOR ENCLOSURE INFORMATION.

5. THIS RECEPTACLE MATES WITH DT06-12S\*-\*\*\*\* PLUGS (\* = A, B, C, D KEYS; \*\*\*\* = ALL MODIFICATIONS). CONSULT FACTORY FOR MODIFICATIONS.
4. MATERIAL - PLASTIC (BLACK); SEAL: RUBBER.
3. CONTACT PLATING - ENGAGING SIDE: GOLD; PCB SIDE: TIN
2. DIMENSIONS ARE ±.025 [ .64 ] UNLESS OTHERWISE SPECIFIED.

NOTES: 1. DIMENSIONS ARE IN INCHES [MILLIMETERS].

SIGNATURE & DATE	
DR	R. MESSENGER 12/9/10
CHK	<i>[Signature]</i> 12/14/10
PE	R. MESSENGER 12/10/10
APPD	<i>[Signature]</i> 12/14/10
SCALE	NONE
WT	

RECEPTACLE HEADER  
4 X 12 #16 SIZE  
GOLD PINS  
DT SERIES

ENVELOPE

EP 208	MATL. CODE
3850 INDUSTRIAL AVE. HEMET, CA 92545	
<b>B</b>	<b>DT13-*P*-GR02</b>
DWG SIZE	CODE 11139 SHEET   OF