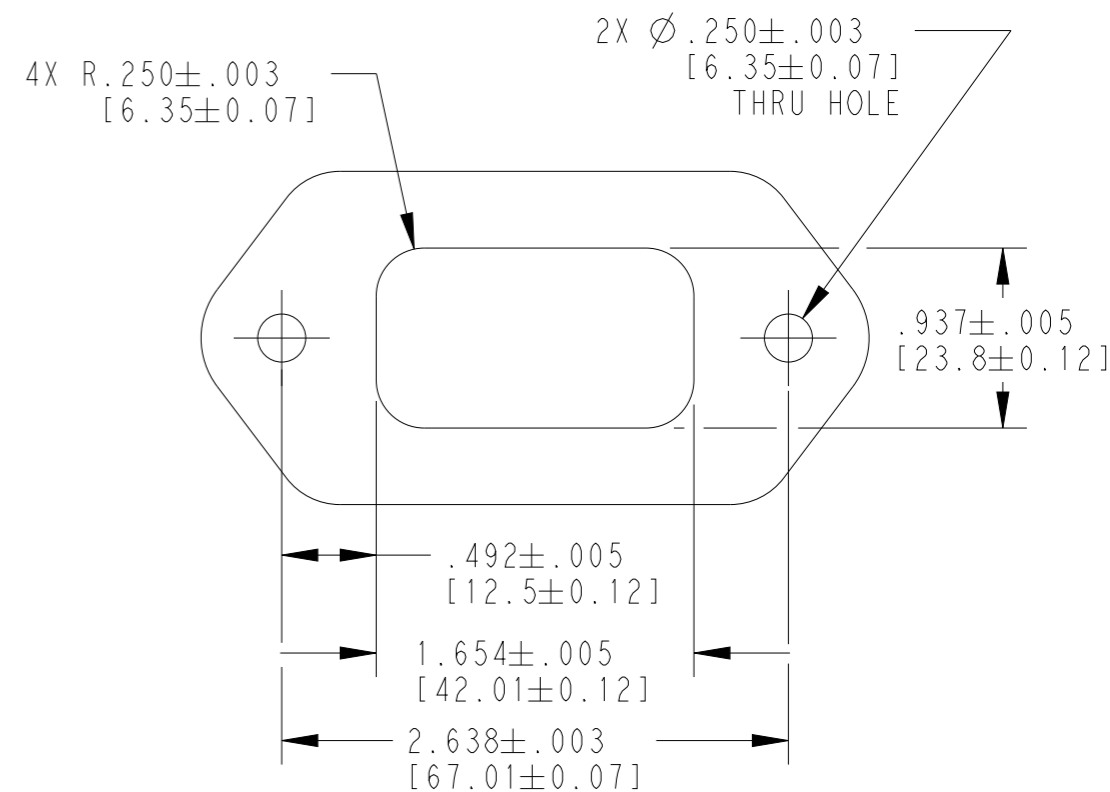
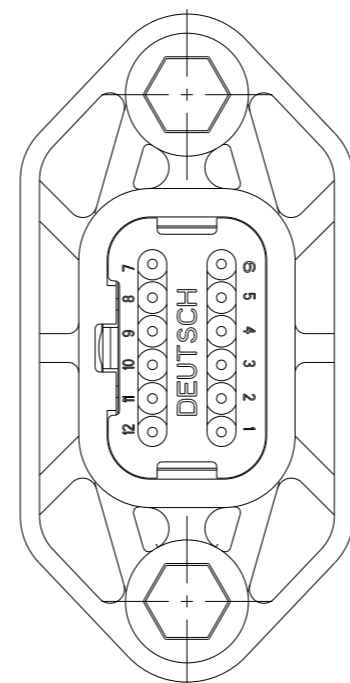
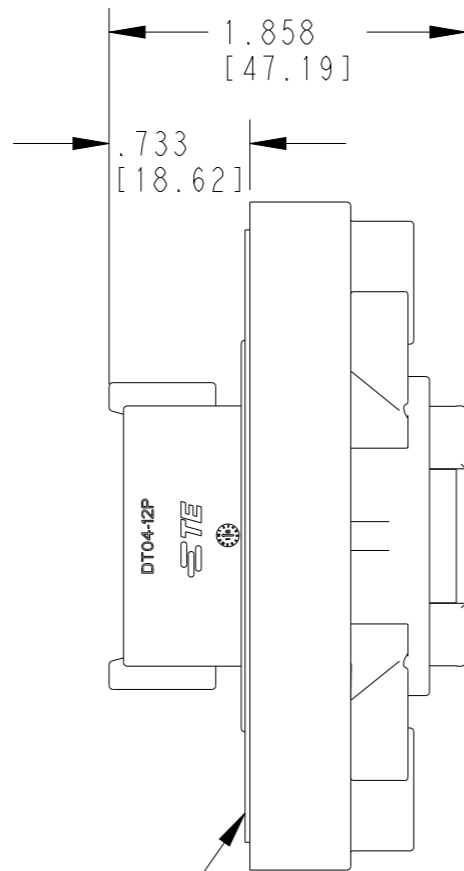
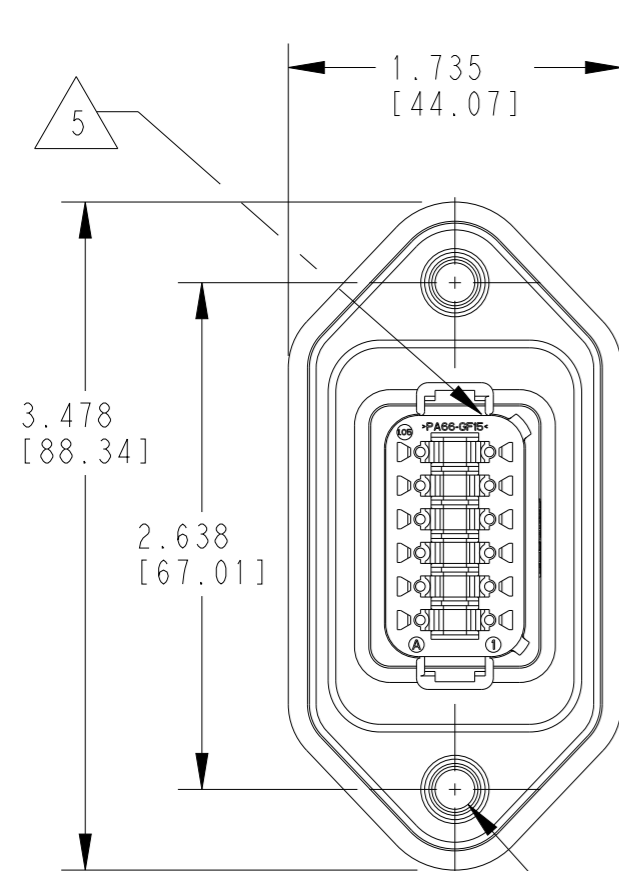


P	LTR	DESCRIPTION	DATE	DWN	APVD
	A1	REVISED PER PCN E-17-012564	28AUG2017	JA	DM
	A2	REVISED PER PCN E-21-003453	04MAY2022	AP	IG
	A3	REVISED PER PCN 22-148090	27JUL2022	GB	IG
	B	REVISED PER PCN-23-192205	06FEB2024	RK	CB



2X THREADED INSERT  
M6 X .500 DEEP  
RECOMMENDED TORQUE:  
62-88 IN-LB [7-10 N-m]

FLANGE SEAL IS INTENDED  
FOR NON-PRESSURIZED  
FLUID SPLASH ONLY

**RECOMMENDED MOUNTING  
DETAIL**

TE INTERNAL PN	DEUTSCH PN
DT04-12PA-LE01	DT04-12PA-LE01
DT04-12PB-LE01	DT04-12PB-LE01
DT04-12PC-LE01	DT04-12PC-LE01
DT04-12PD-LE01	DT04-12PD-LE01

CONTACT SIZE	MIN. INSUL O.D.	MAX. INSUL O.D.	WIRE RANGE [mm <sup>2</sup> ] REF ONLY
16	.088 [2.24]	.145 [3.68]	14-20 AWG [2.5-0.5]

5 DATE CODE: MONTH IS REPRESENTED BY SEQUENTIAL ALPHA CHARACTERS. EX: A = JANUARY, YEAR IS REPRESENTED BY LAST NUMERICAL DIGIT. EX: 0 = 2010


4. COLOR OF FLANGE AND WELD CAP IS BLACK FOR ALL KEY ARRANGEMENTS WHILE COLOR OF SHELL DEPENDS ON KEY ARR. AS SHOWN ON SHEET 2.

3 MATERIAL: HOUSING, CAP, FLANGE: PA66 GF15  
GROMMET, GASKET: VMQ (RED-ORANGE)  
INSERTS: STAINLESS STEEL

2. THIS RECEPTACLE MATES WITH DT06-12SX-XXXX PLUG.  
(X = KEY ARR. A,B,C, OR D, XXXX = ALL MODIFICATIONS)  
CONSULT FACTORY FOR MODIFICATIONS.

1 FOR CONTACTS AND WIRE PERFORMANCE AND APPLICATION CHARACTERISTICS, SEE ENVELOPE DRAWING 0425-015-0000.

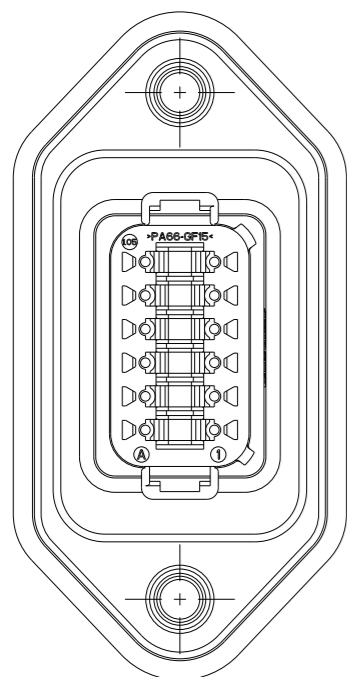
NOTES: UNLESS OTHERWISE SPECIFIED

THIS DRAWING IS A CONTROLLED DOCUMENT.		DWN T. YOHANNES 18SEP2002	 TE Connectivity	
DIMENSIONS: in [mm]		CHK R. MESSENGER 03MAY2005		
TOLERANCES UNLESS OTHERWISE SPECIFIED:		APVD S. BEARD 27APR2005	NAME 12 WAY RECEPTACLE DT SERIES	
0 PLC ±		PRODUCT SPEC 108-151009	SIZE A3	
1 PLC ±		APPLICATION SPEC 114-151009	CAGE CODE 4AFU8	DRAWING NO. DT04-12PX-LE01
2 PLC ±		WEIGHT 80.88g	RESTRICTED TO -	
3 PLC ±.025 [0.64]		CUSTOMER DRAWING	SCALE 1:1	SHEET 1 OF 2
4 PLC ±				REV B
ANGLES ±				
FINISH ±0° 30' 0"				

REVISIONS

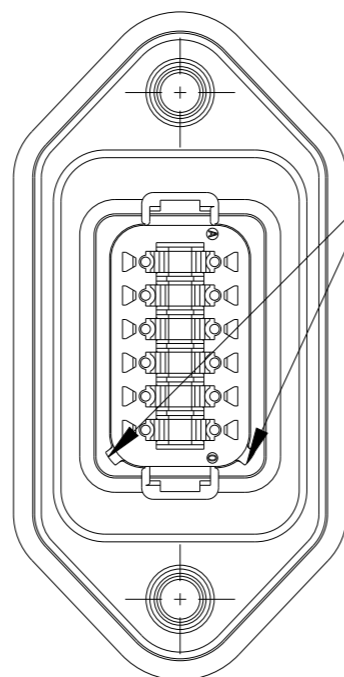
P	LTR	DESCRIPTION	DATE	DWN	APVD
-		SEE SHEET 1	-	-	-

DT04-12PA-LE01  
 KEY ARR. -A-  
 HOUSING COLOR : GRAY  
 ((FLANGE AND WELD CAP ARE BLACK FOR ALL KEY ARR.))



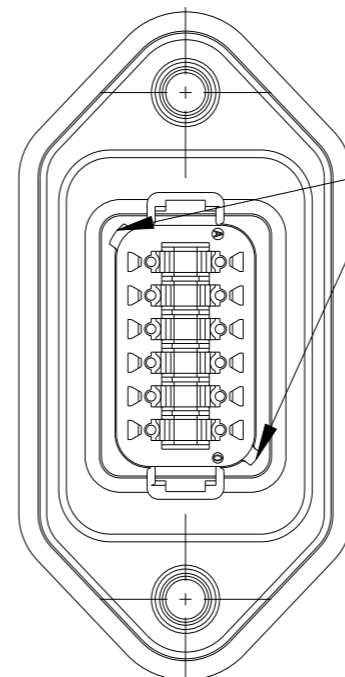
KEYWAYS -A-

DT04-12PB-LE01  
 KEY ARR. -B-  
 HOUSING COLOR : BLACK



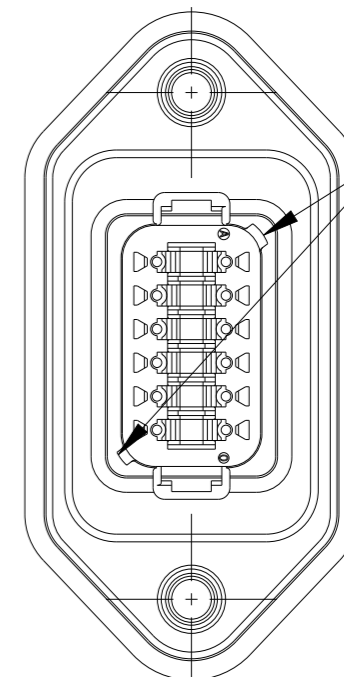
KEYWAYS -B-

DT04-12PC-LE01  
 KEY ARR. -C-  
 HOUSING COLOR : GREEN



KEYWAYS -C-

DT04-12PD-LE01  
 KEY ARR. -D-  
 HOUSING COLOR : BROWN



KEYWAYS -D-

THIS DRAWING IS A CONTROLLED DOCUMENT.		DWN T. YOHANNES 18SEP2002																
DIMENSIONS: in [mm]		CHK R. MESSENGER 03MAY2005																
TOLERANCES UNLESS OTHERWISE SPECIFIED:		APVD S. BEARD 27APR2005	NAME 12 WAY RECEPTACLE DT SERIES															
<table border="0"> <tr><td>0 PLC</td><td>±</td></tr> <tr><td>1 PLC</td><td>±</td></tr> <tr><td>2 PLC</td><td>±</td></tr> <tr><td>3 PLC</td><td>±.025 [0.64]</td></tr> <tr><td>4 PLC</td><td>±</td></tr> <tr><td>ANGLES</td><td>±0° 30' 0"</td></tr> </table>		0 PLC	±	1 PLC	±	2 PLC	±	3 PLC	±.025 [0.64]	4 PLC	±	ANGLES	±0° 30' 0"	PRODUCT SPEC 108-151009	SIZE A3	CAGE CODE 4AFU8	DRAWING NO DT04-12PX-LE01	RESTRICTED TO -
0 PLC	±																	
1 PLC	±																	
2 PLC	±																	
3 PLC	±.025 [0.64]																	
4 PLC	±																	
ANGLES	±0° 30' 0"																	
MATERIAL 3		FINISH	APPLICATION SPEC 114-151009	WEIGHT 80.88g	SCALE 1:1	SHEET 2 OF 2	REV B											
CUSTOMER DRAWING																		