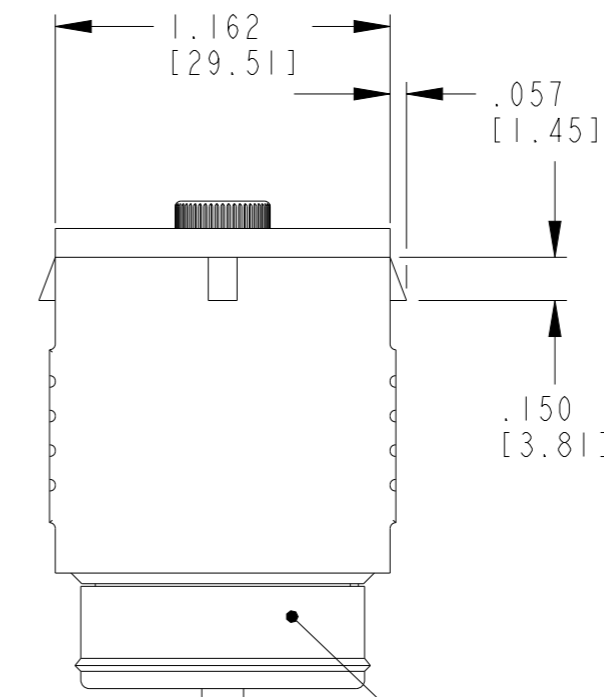
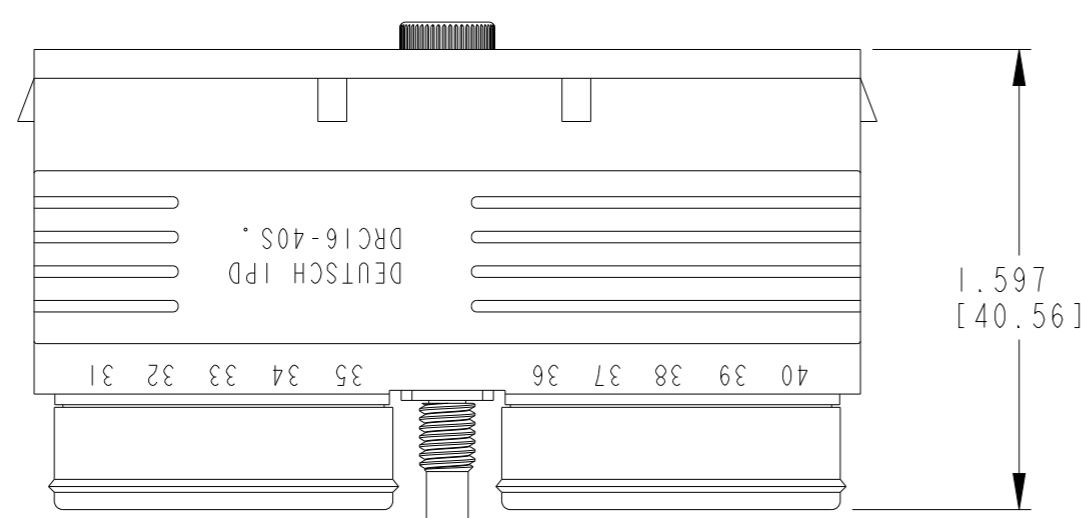
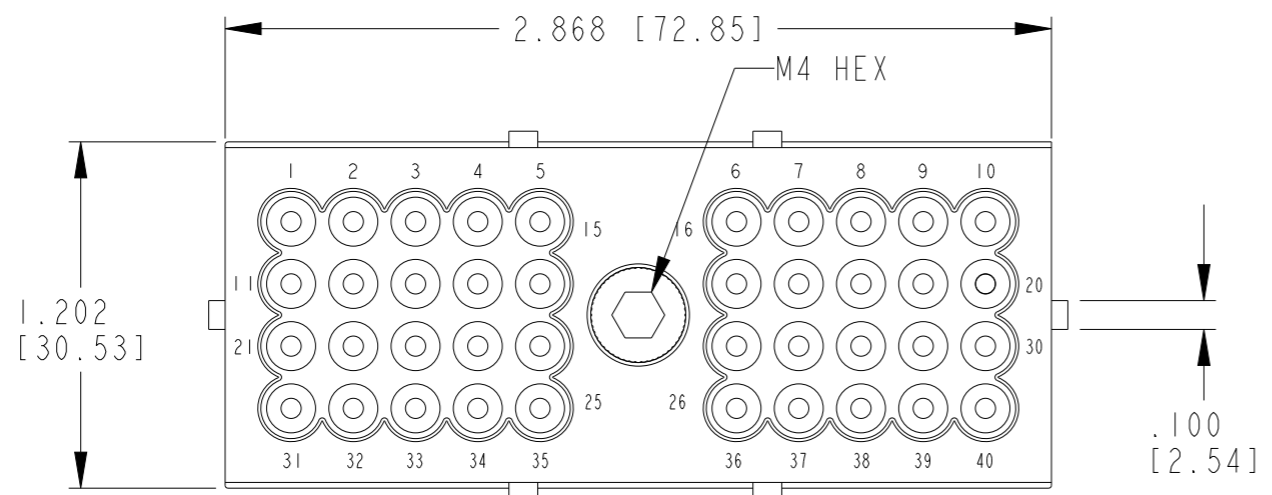


THIS DRAWING IS UNPUBLISHED. RELEASED FOR PUBLICATION 2017
 © COPYRIGHT 2017 BY - TE CONNECTIVITY ALL RIGHTS RESERVED.

REVISIONS					
P	LTR	DESCRIPTION	DATE	DWN	APVD
	J	REVISED PER PCN E-17-012901	13JUN2017	CM	DM
	J1	REVISED PER PCN-24-216230	18JUL2024	RK	CB

CONTACT SIZE	MIN. INSUL. OD [mm]	MAX. INSUL. OD [mm]	WIRE RANGE [mm ²] REF ONLY
16	.100 [2.54]	.134 [3.40]	14-18 AWG [2.0-.75]



5. MATERIAL:
 PLUG: PPS GF40 (BLACK)
 SEAL/GROMMET: VMQ (RED-ORANGE)
 CLIP: STEEL, UNPLATED
 BOLD: STAINLESS STEEL WITH SILVER PLATING AND MAY TARNISH.

- 4. MATING TORQUE REQUIREMENT: 25-28 in-lb (2.82-3.16 Nm).
- 3. THIS PLUG MATES WITH DRC10-40P-XXXX; DRC12-40PXE-XXXX; DRC13-40PX-XXXX; DRC14-40PXE-XXXX. CONSULT FACTORY FOR MODIFICATIONS. X = A, B, C, D KEYS, XXXX = MODIFICATIONS
- 2. FOR CONTACTS AND WIRE PERFORMANCE AND APPLICATION CHARACTERISTICS, SEE ENVELOPE DRAWING 0425-015-0000.
- 1. PLUG IS SUPPLIED WITH DUST CAP, 0515-001-4005 (NOT SHOWN)

6. WEB SEAL HOLES MAY NOT BE COMPLETELY ALIGNED TO THE HOLES OF CONNECTOR BODY

TE INTERNAL PN	DEUTSCH PN
DRC16-40S	DRC16-40S

THIS DRAWING IS A CONTROLLED DOCUMENT.		DWN J. APOSTOL 11JUL2000			
DIMENSIONS: INCHES [mm]		CHK B. BYFORD 14FEB2006			
TOLERANCES UNLESS OTHERWISE SPECIFIED:		APVD R. REED 21FEB2006		NAME DRC CONNECTOR PLUG 40 CONTACTS	
0 PLC ± 1 PLC ± 2 PLC ± 3 PLC ±.025 [.635] 4 PLC ± ANGLES ±0° 30' 0"		PRODUCT SPEC -		APPLICATION SPEC -	
MATERIAL 5		WEIGHT -		SIZE A3	
		CUSTOMER DRAWING		CAGE CODE 4AFU8	
				DRAWING NO. DRC16-40S	
				RESTRICTED TO -	
				SCALE 1.5:1	
				SHEET 1 OF 1	
				REV J1	