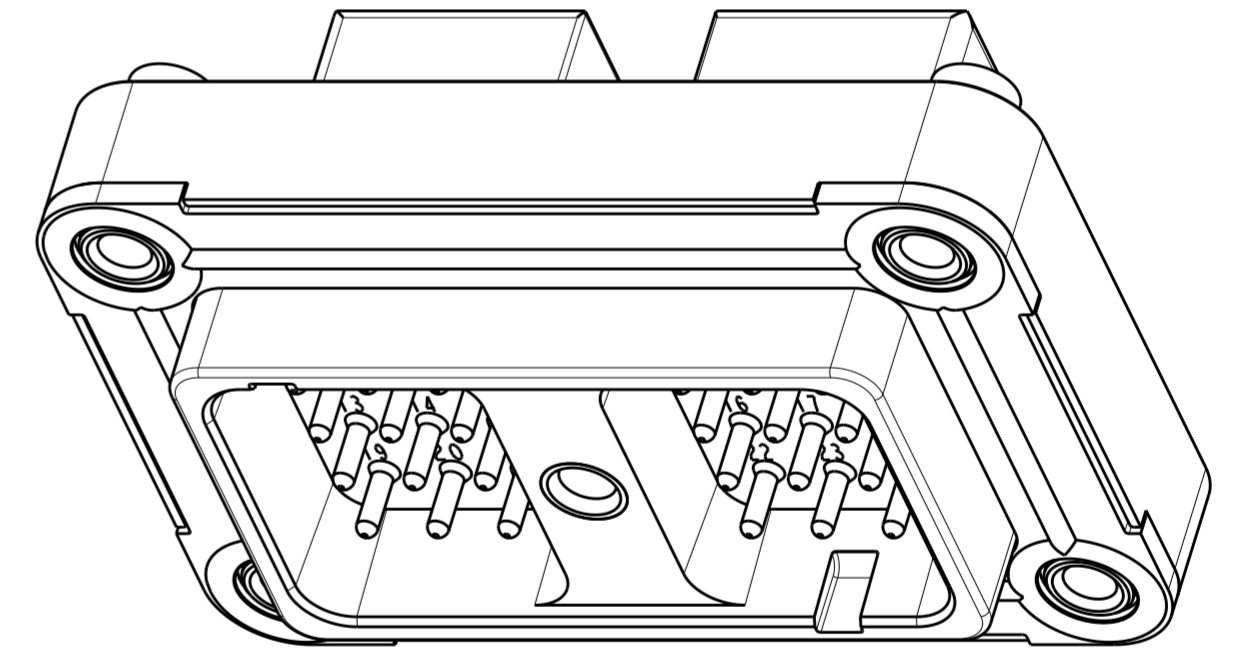
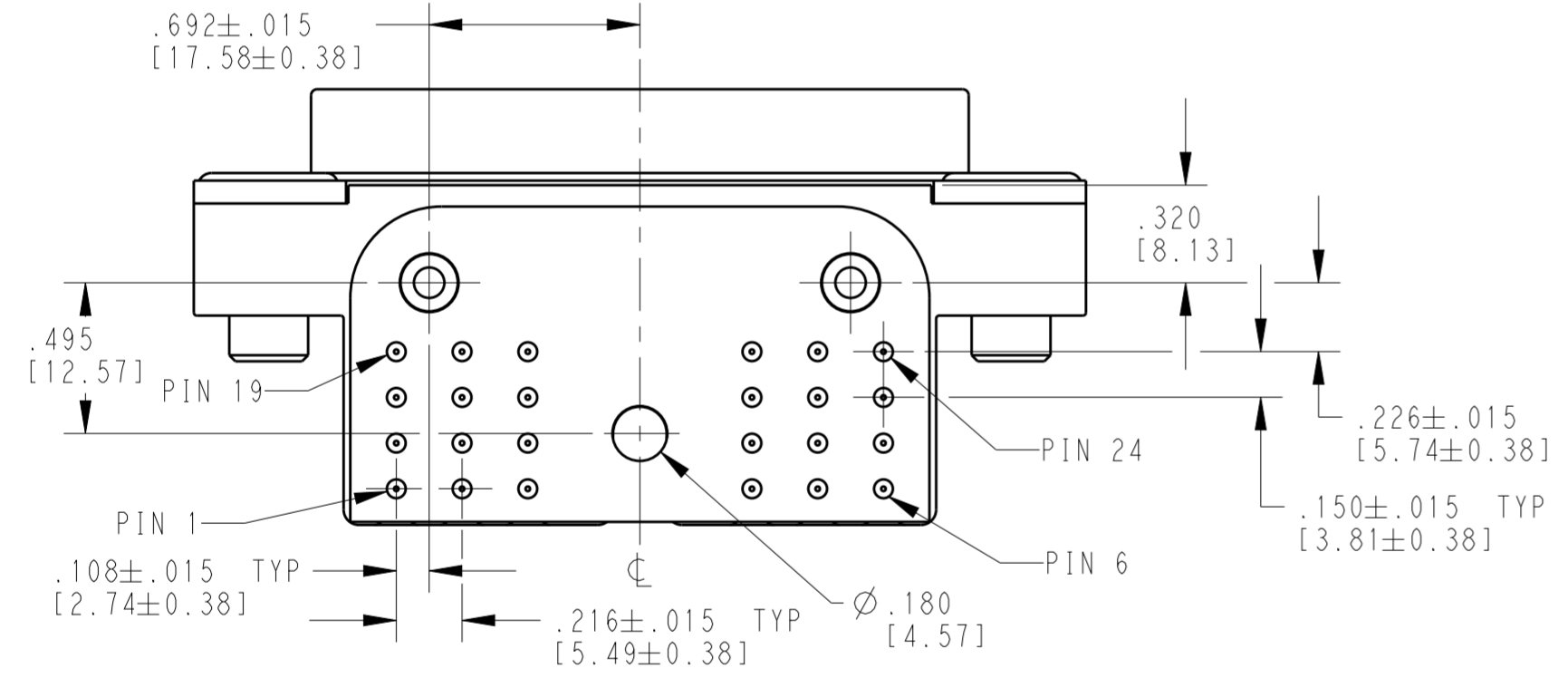
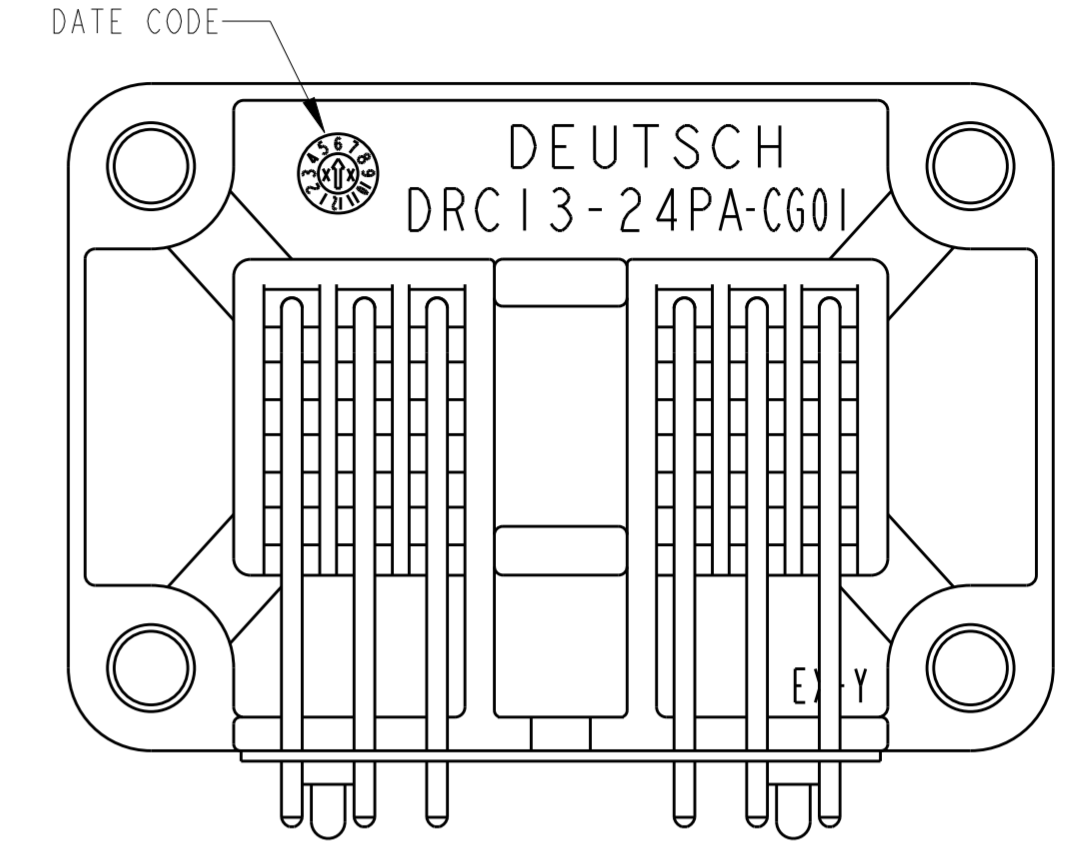
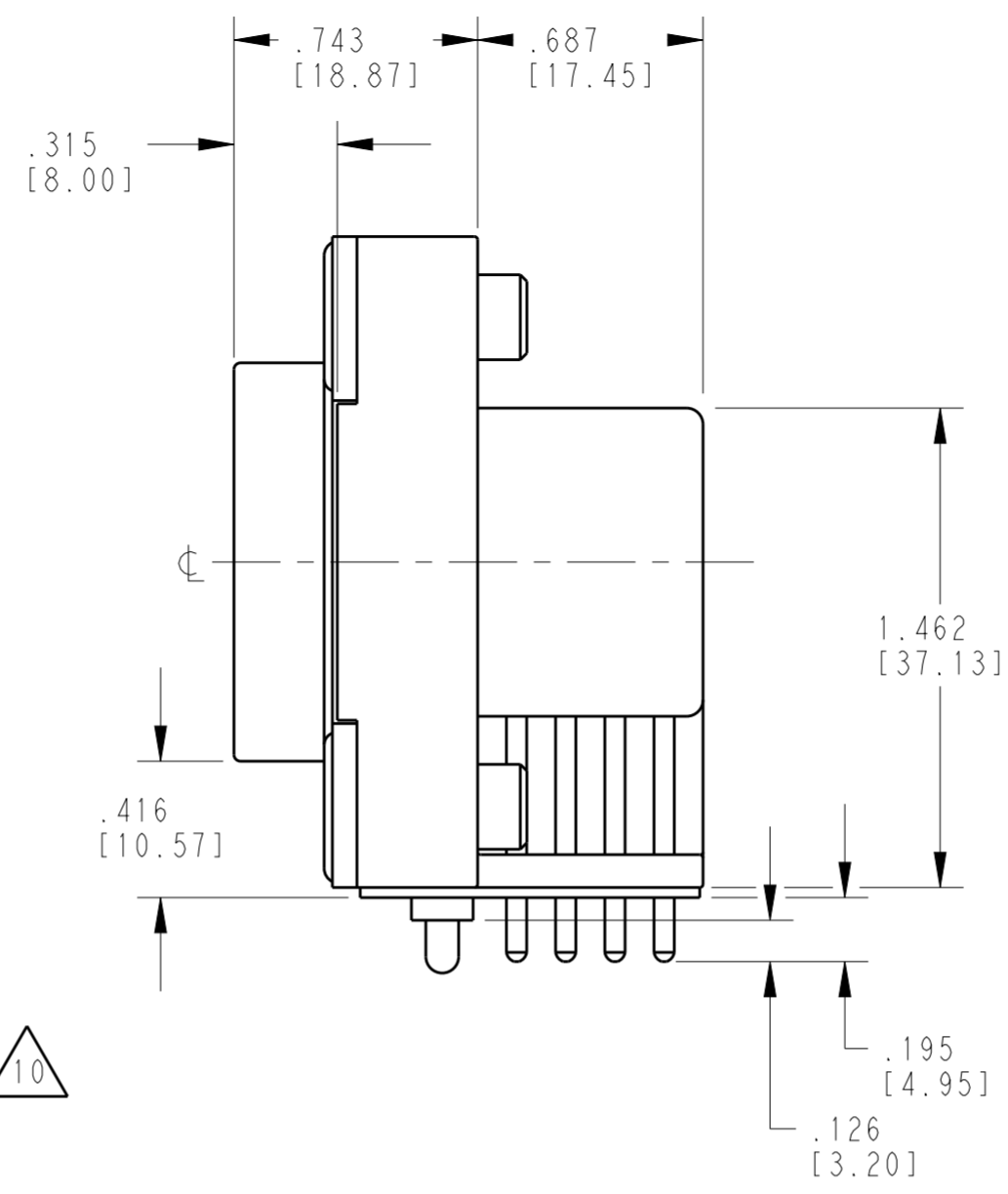
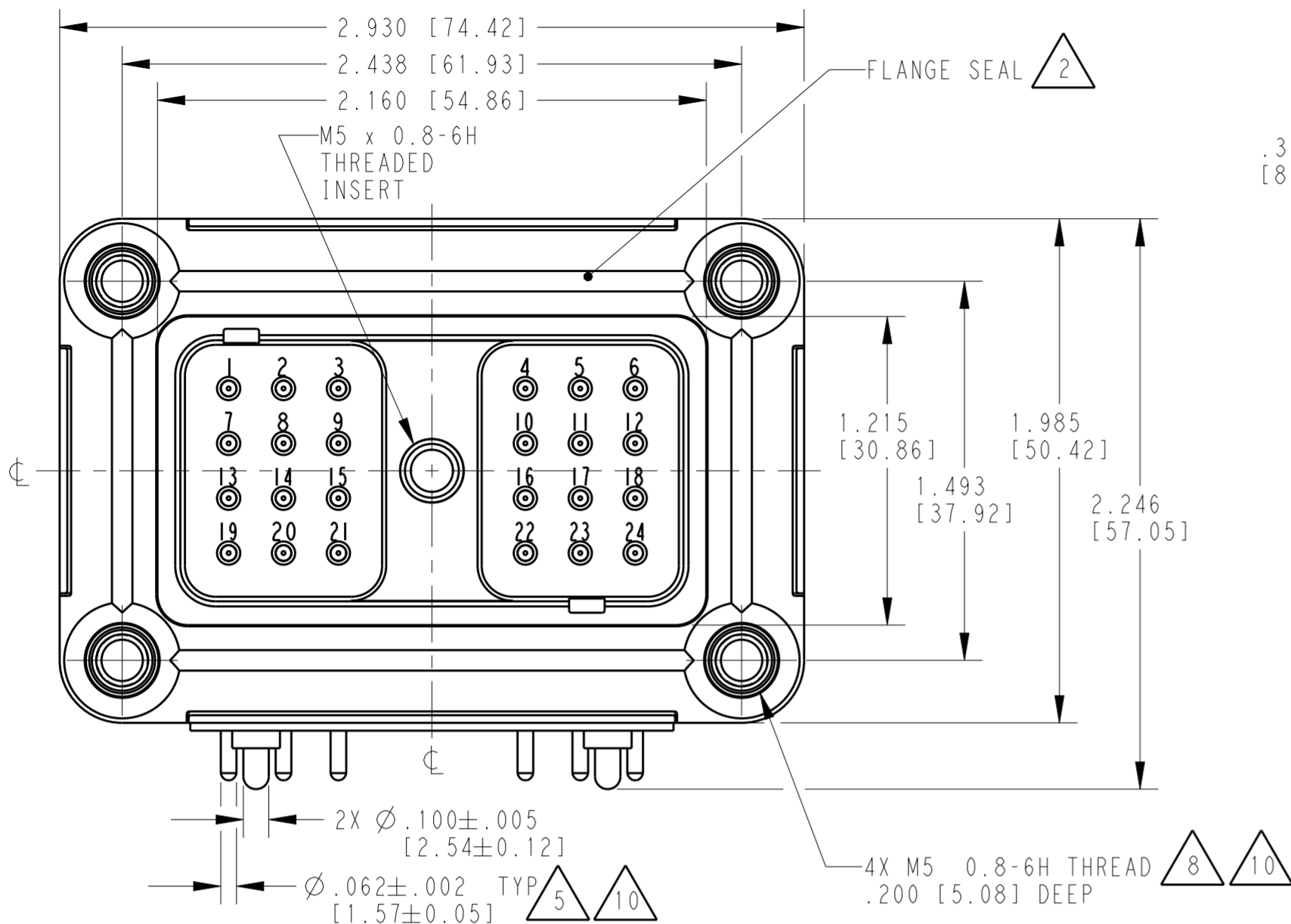


THIS DRAWING IS UNPUBLISHED
 RELEASED FOR PUBLICATION 2015
 © COPYRIGHT 2001 BY TE CONNECTIVITY ALL RIGHTS RESERVED.

LOC	DIST	REVISIONS			
P	LTR	DESCRIPTION	DATE	DWN	APVD
	NC	NEW RELEASE PER E.O. P17162	04APR2001	JA	RDR
	A	REVISED PER E.O. P18689	20SEP2004	VT	RDR
	B	REVISED PER E.O. P19799	08APR2008	JA	RDR
	B1	REVISED PER ECO-15-015956	04NOV2015	JA	DM



3D VIEW

- 10 PART MODIFICATION.
- 9 SURFACE FINISH: 32 RMS OR BETTER: \square .005 [0.12].
- 8 RECOMMENDED SCREW: M5 X .8-6g MACHINE SCREW TORQUE: 20-25 IN-LB [2.26-2.83 NM].
- 7. SEE SHEET 2 FOR OTHER KEY ARRANGEMENTS.
- 6. THIS RECEPTACLE MATES WITH DRC16-24SX-XXXX PLUG (X=A,B,C,D KEYS; XXXX=ALL MODIFICATIONS).
- 5 CONTACT PLATING - PCB SIDE: TIN; MATING SIDE: 1, 6, 7, 12, 13, 18, 19 & 24 GOLD, REST: TIN.
- 4 MATERIAL - PPS GR40 (BLACK); INSERTS: STEEL/BRASS; SEAL: SILICONE (RED-ORANGE).
- 3. RECEPTACLE IS SUPPLIED WITH DUST CAP (NOT SHOWN).
- 2 FLANGE SEAL (0513-042-2406) IS SHIPPED WITH RECEPTACLE.
- 1. DIMENSION TOLERANCE: \pm .025 [0.64]; PANEL CUTOUT: \pm .010 [0.25].

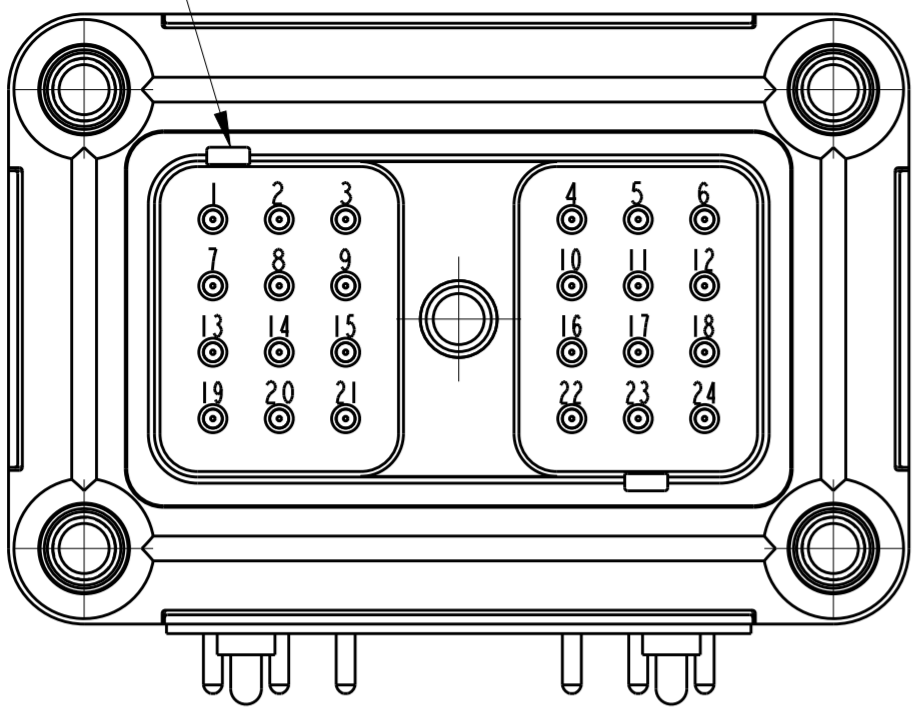
TE INTERNAL PN	DEUTSCH PN
DRC13-24PA-CG01	DRC13-24PA-CG01
DRC13-24PB-CG01	DRC13-24PB-CG01
DRC13-24PC-CG01	DRC13-24PC-CG01
DRC13-24PD-CG01	DRC13-24PD-CG01

NOTES: UNLESS OTHERWISE SPECIFIED

THIS DRAWING IS A CONTROLLED DOCUMENT.		DWN JAIMÉ C. APOSTOL	TE Connectivity			
DIMENSIONS: INCHES [mm]		CHK PAULA CARNAHAN				
TOLERANCES UNLESS OTHERWISE SPECIFIED:		APVD DAVID MEYER	NAME RECEPTACLE, 24 PIN KEY ARRANGEMENTS A,B,C,D -CG01 MOD, DRC SERIES			
0 PLC ± 1 PLC ± 2 PLC ± 3 PLC ±SEE NOTE 1 4 PLC ± ANGLES ±0°30'0" FINISH		PRODUCT SPEC N/A	SIZE A2	CAGE CODE 4AFU8	DRAWING NO. DRC13-24PX-CG01	RESTRICTED TO -
MATERIAL		WEIGHT 165.37g	SCALE 7:4		SHEET 1 OF 2	REV B1

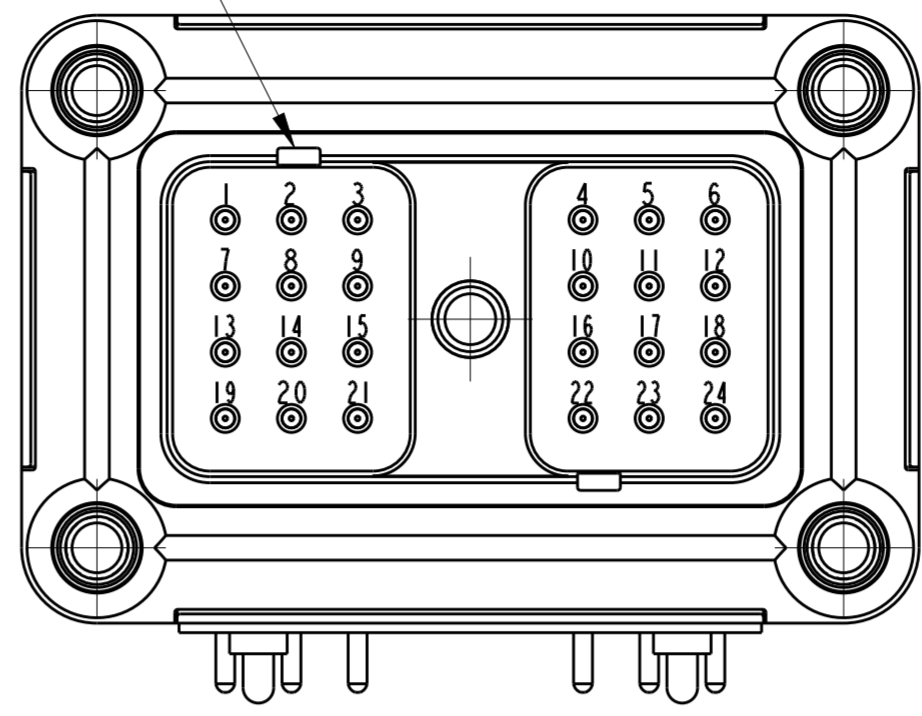
LOC		DIST		REVISIONS			
P	LTR	DESCRIPTION	DATE	DWN	APVD		
-		SEE SHEET 1	-	-	-		

2X KEYWAY



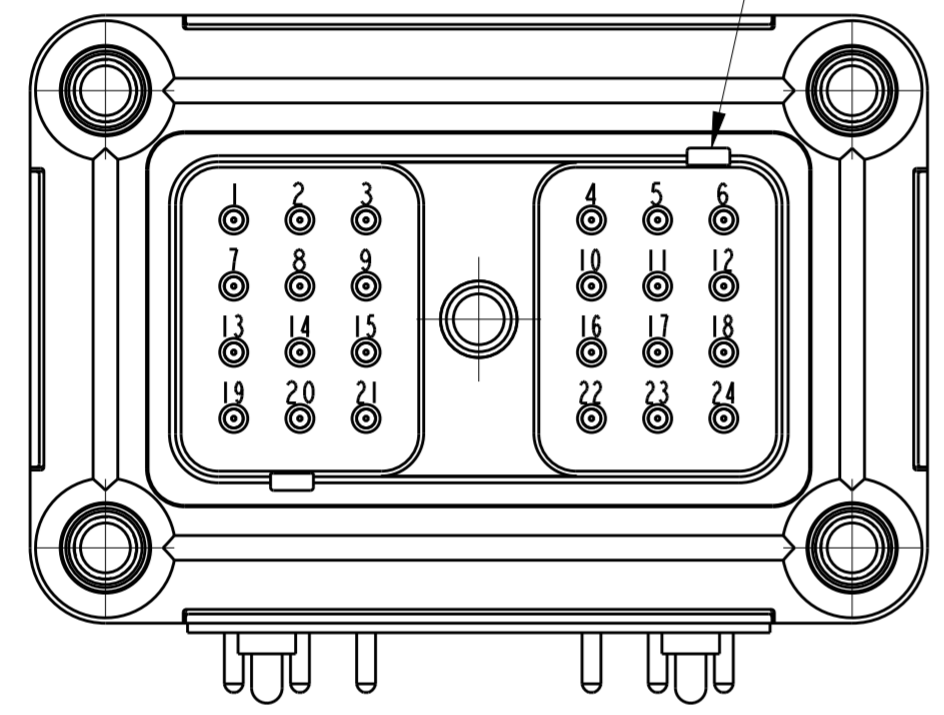
ARRANGEMENT -A-
DRC13-24PA-CG01

2X KEYWAY



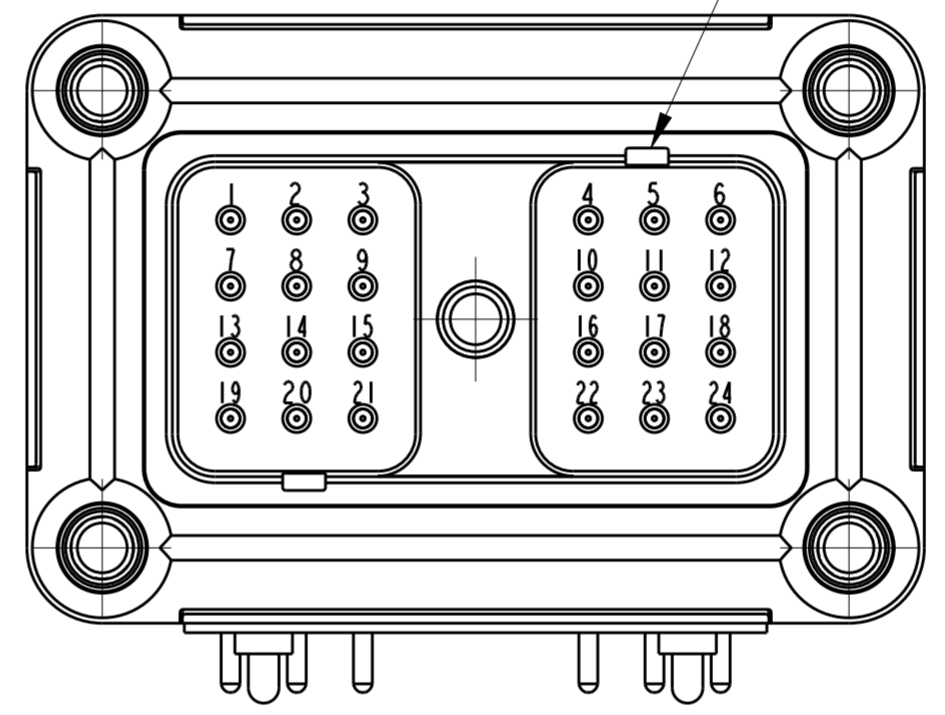
ARRANGEMENT -C-
DRC13-24PC-CG01

2X KEYWAY

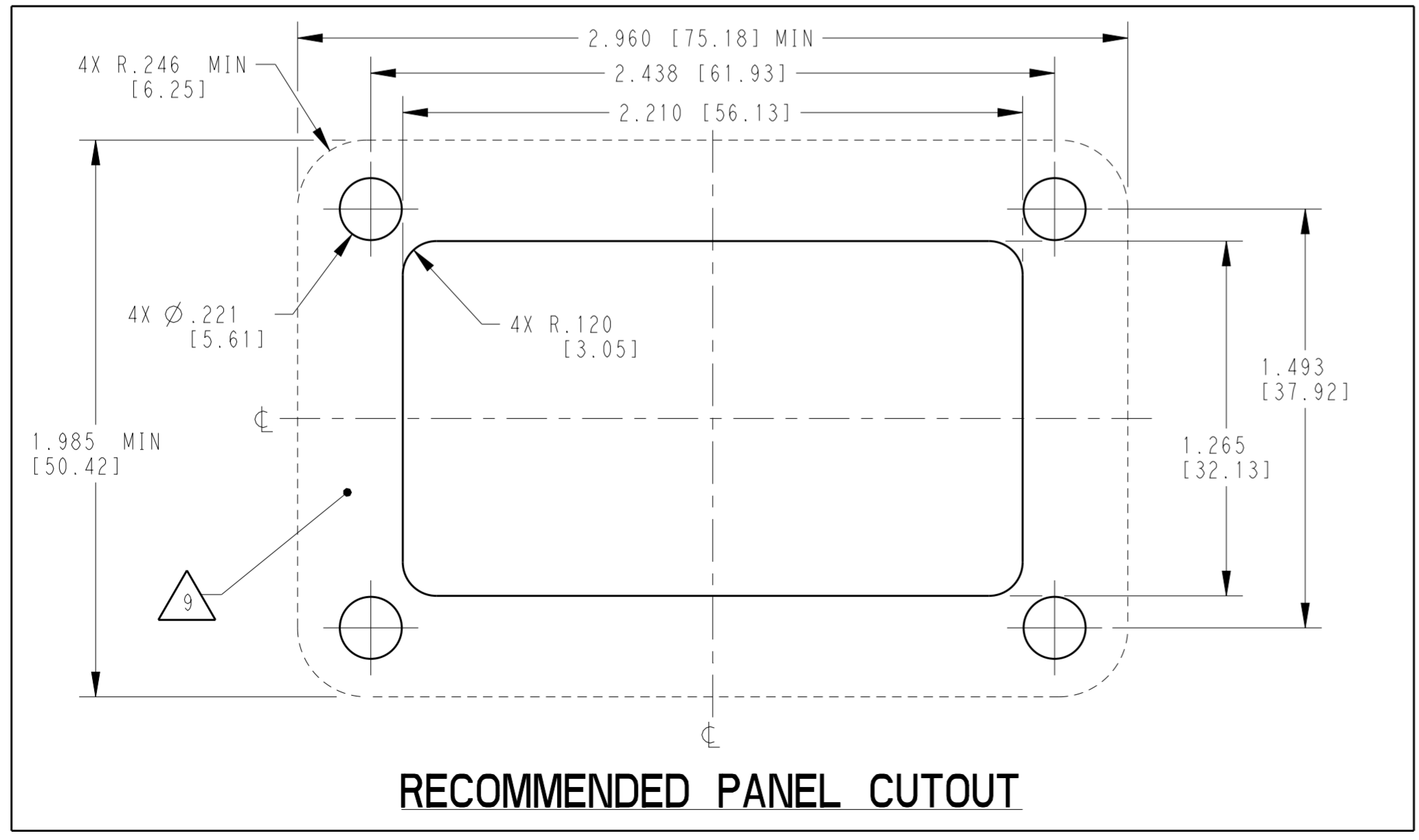


ARRANGEMENT -B-
DRC13-24PB-CG01

2X KEYWAY



ARRANGEMENT -D-
DRC13-24PD-CG01



THIS DRAWING IS A CONTROLLED DOCUMENT.		DWN 01MAR2001 JAIME C. APOSTOL	TE Connectivity	
DIMENSIONS: INCHES [mm]		CHK 07APR2008 PAULA CARNAHAN		
TOLERANCES UNLESS OTHERWISE SPECIFIED:		APVD 03MAR2008 DAVID MEYER	PRODUCT SPEC N/A	SIZE A2
0 PLC ± 1 PLC ± 2 PLC ± 3 PLC ±SEE NOTE 1 4 PLC ± ANGLES ±0°30'0" FINISH		APPLICATION SPEC N/A	APPLICATION SPEC N/A	CAGE CODE 4AFU8
MATERIAL 4	5	WEIGHT 165.37g	DRAWING NO DRC13-24PX-CG01	RESTRICTED TO -
Customer Drawing			SCALE 8:5	SHEET 2 OF 2