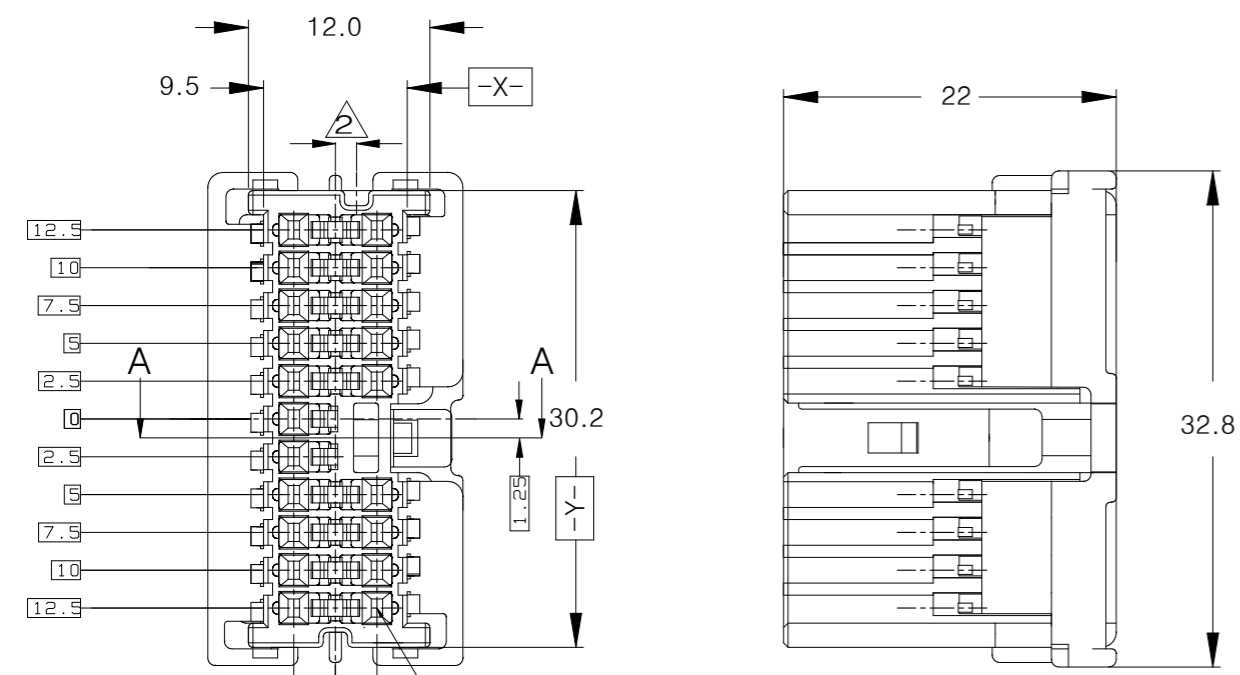
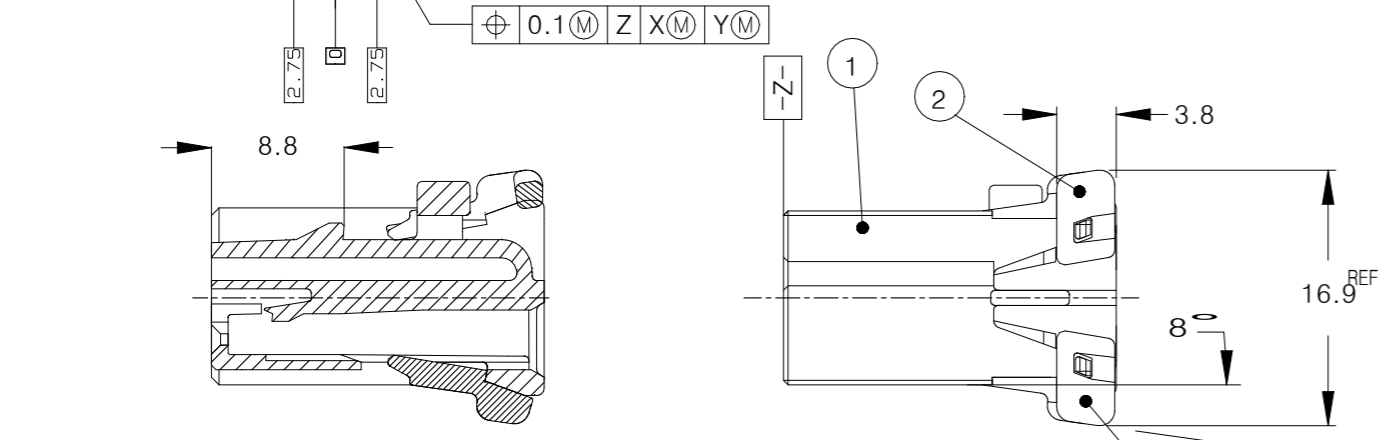


REVISIONS					
P	LTR	DESCRIPTION	DATE	DWN	APVD
	B	REVISED(ECR-05-009378)	22/AUG/'05	IS	JK
	B1	REVISED PER ECR-23-177343	02JUN2023	RK	JT
	B2	REVISED PER ECR-24-201299	28FEB2024	RK	HM



NOTES:  
 1. PLATE MUST BE COMPLETELY PRE-ASSEMBLED  
 2. KEY CODE : REFER TO THE TABLE  
 3. APPLICABLE CONTACT P/N: 316836-1, 316838-1  
 4. THE MATING P/N ; 936500

주 기  
 1. PLATE는 그림과 같이 1차 locking 상태로 공급되어짐.  
 2. KEY CODE : TABLE 참조  
 3. 적용 TML P/N: 316836-1, 316838-1  
 4. 상대 하우징 P/N ; 936500

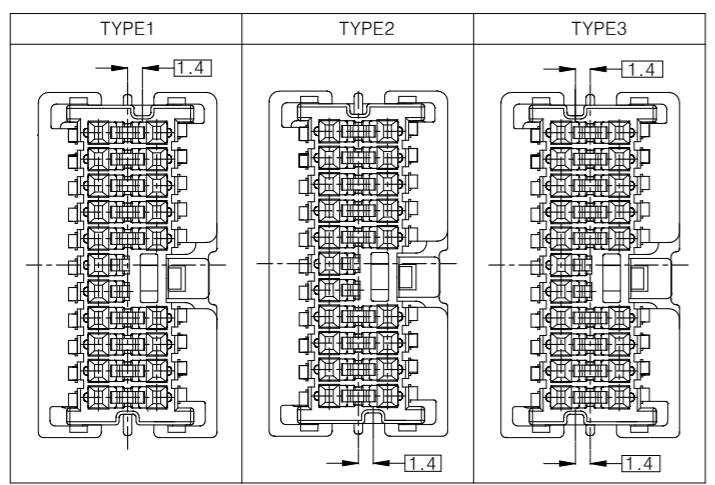


SECTION A-A

<KEY CODE>

ASS'Y P/N										
936473-8	936473-7	936473-6	936473-5	936473-4	936473-3	936473-2	936473-1			

ITEM NO	PARTS NO	MATERIAL	NAME	FINISH/COLOR	KEY CODE TYPE	Q'TY of ASS'Y						
③	936493-2		20Pos.DBL LOCK PLATE(A)	BLACK	-	1	1	1	1	1	1	1
②	936494-2		20Pos.DBL LOCK PLATE(B)	BLACK	-	1	1	1	1	1	1	1
①	936474-8			BLUE	1	1	-	-	-	-	-	-
	936474-7			GREEN	1	-	1	-	-	-	-	-
	936474-6			RED	1	-	-	1	-	-	-	-
	936474-5			YELLOW	1	-	-	-	1	-	-	-
	936474-4			BROWN	2 Ⓐ	-	-	-	-	1	-	-
	936474-3			GRAY	3 Ⓐ	-	-	-	-	-	1	-
	936474-2			BLACK	1	-	-	-	-	-	-	1
936474-1	PBT	20Pos.PLUG HSG	NATURAL	1	-	-	-	-	-	-	-	1



TOLERANCES UNLESS OTHERWISE SPECIFIED:

0 <XX<10	± 0.2
10 <XX<30	± 0.25
30 <XX	± 0.3
ANGLES	± 3°

THIS DRAWING IS A CONTROLLED DOCUMENT.

DIMENSIONS: mm

TOLERANCES UNLESS OTHERWISE SPECIFIED:

0 PLC	± -
1 PLC	± -
2 PLC	± -
3 PLC	± -
4 PLC	± -
ANGLES	± -

MATERIAL: SEE NOTE

FINISH: -

APPROVALS:

DWN	IS WOO
CHK	BM JANG
APVD	JK SONG
PRODUCT SPEC	-
APPLICATION SPEC	-
WEIGHT	-

STE TE Connectivity

NAME: 20Pos. PLUG HOUSING ASS'Y 040 III MLC CONN.

SIZE: A3 CAGE CODE: 00779 DRAWING NO: C-936473 RESTRICTED TO: -

CUSTOMER DRAWING SCALE: 1:1 SHEET: 1 OF 1 REV: B2