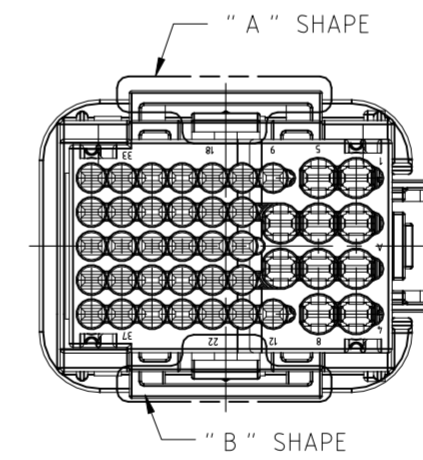
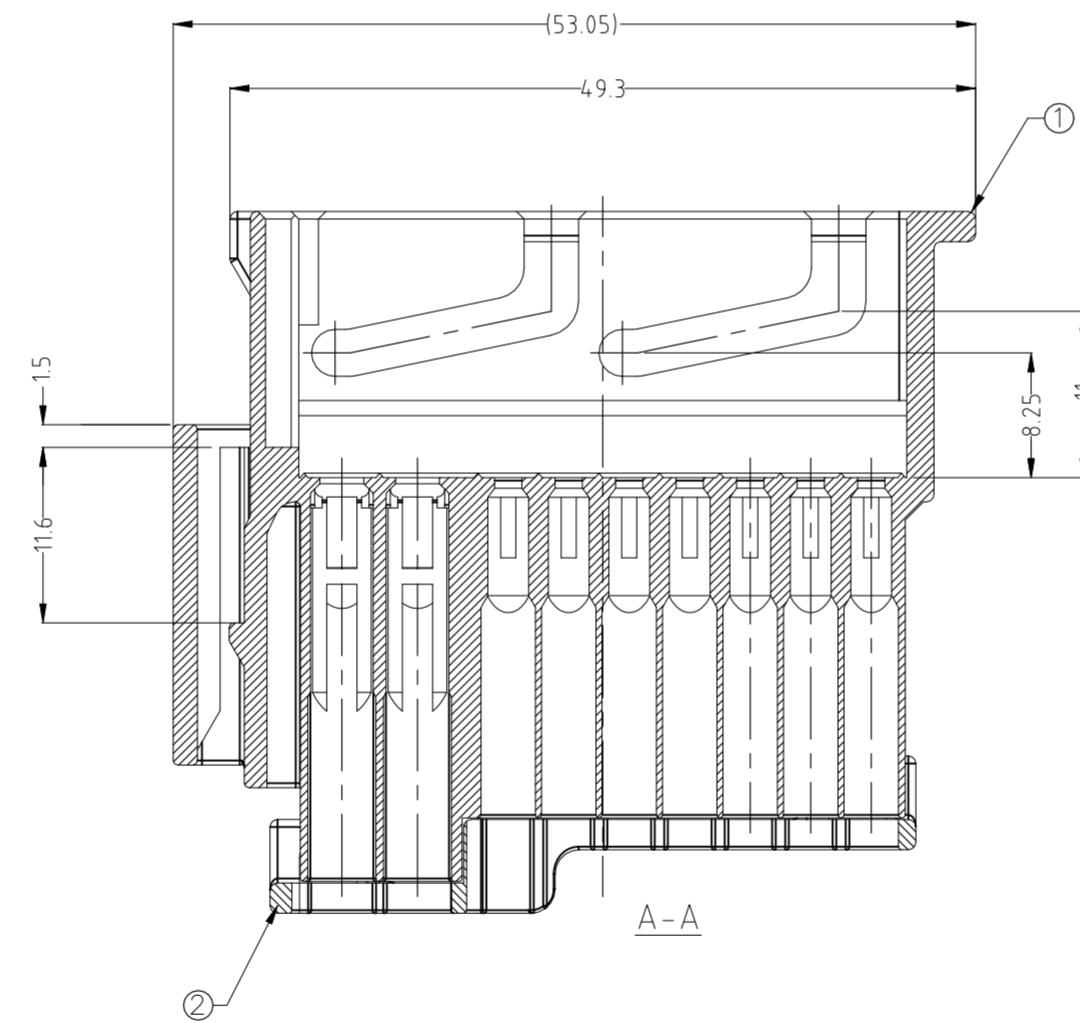
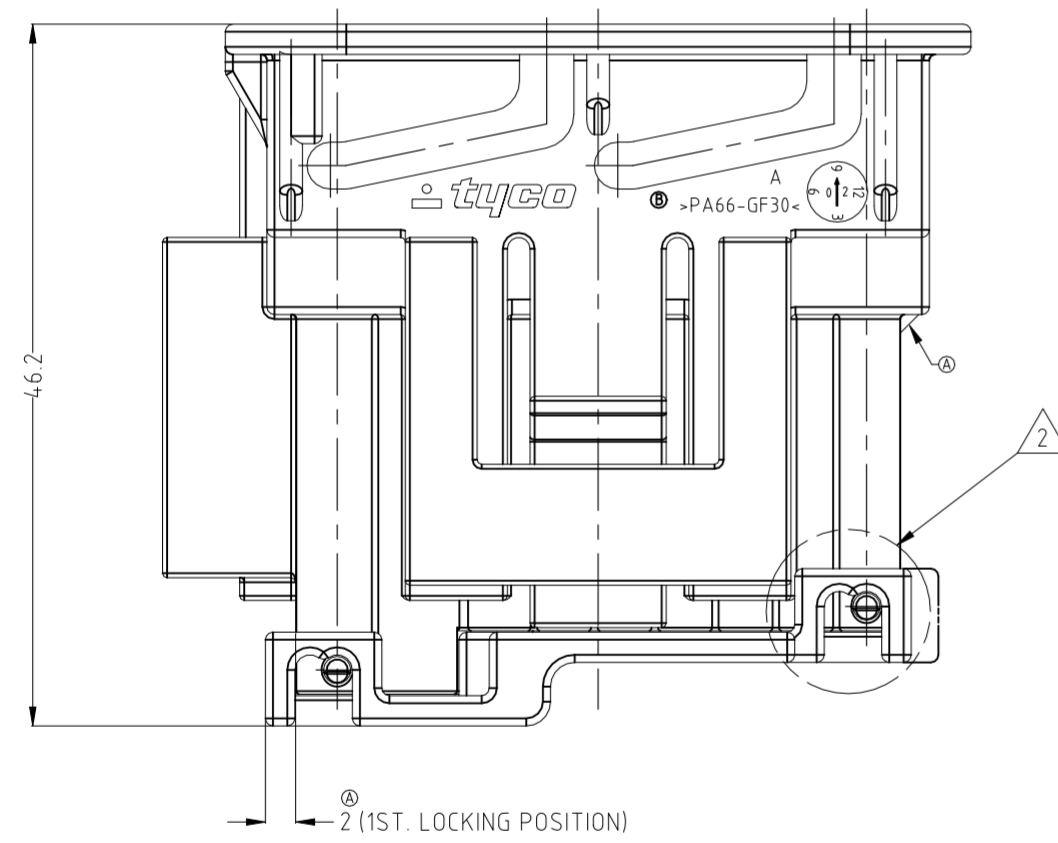
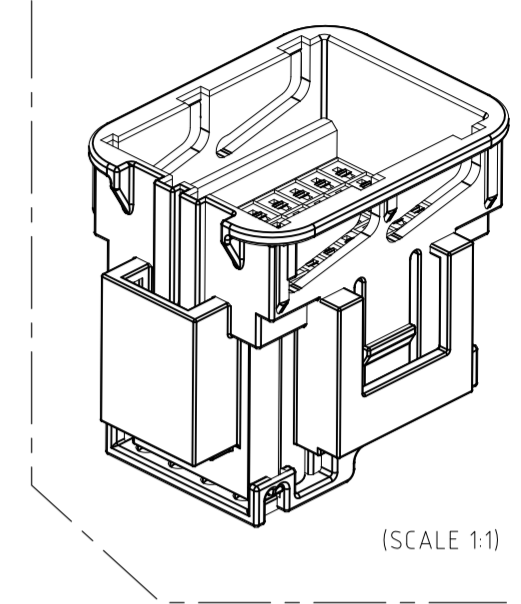
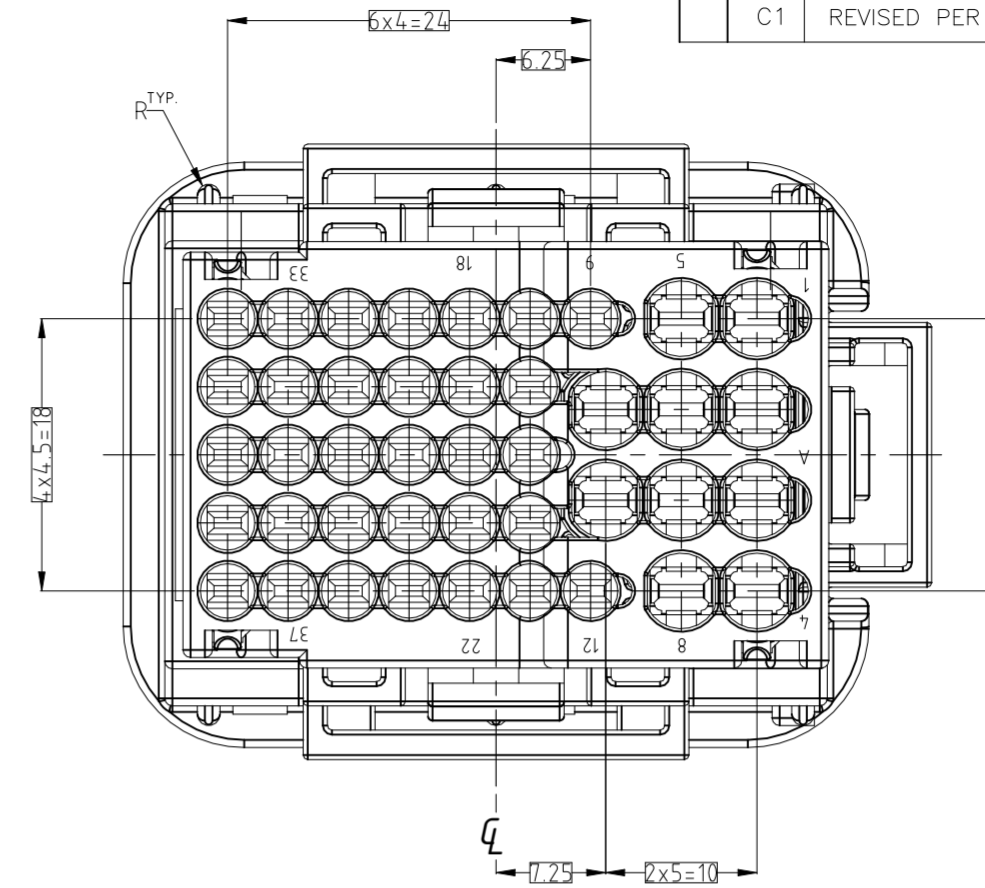
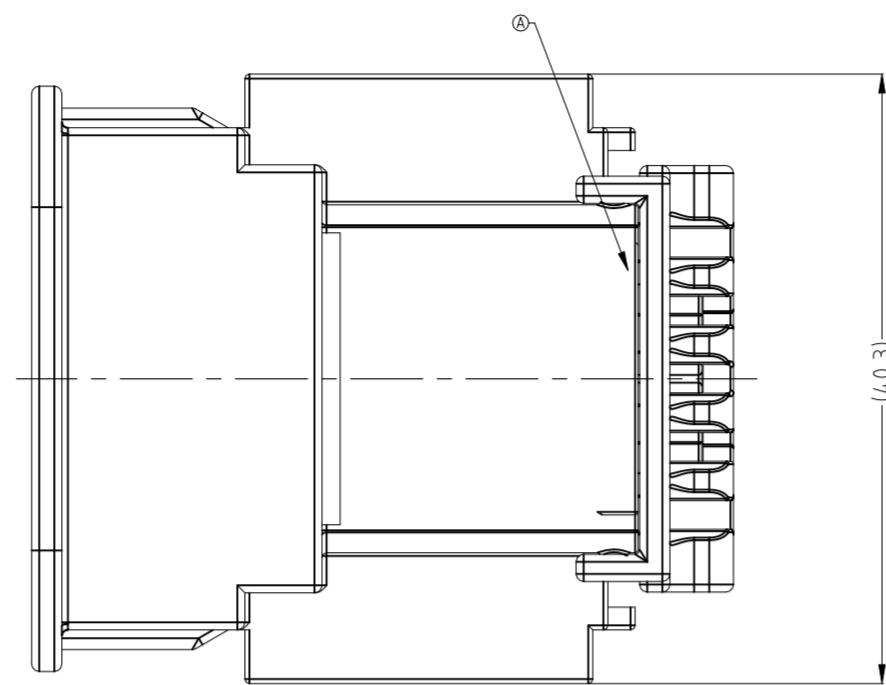
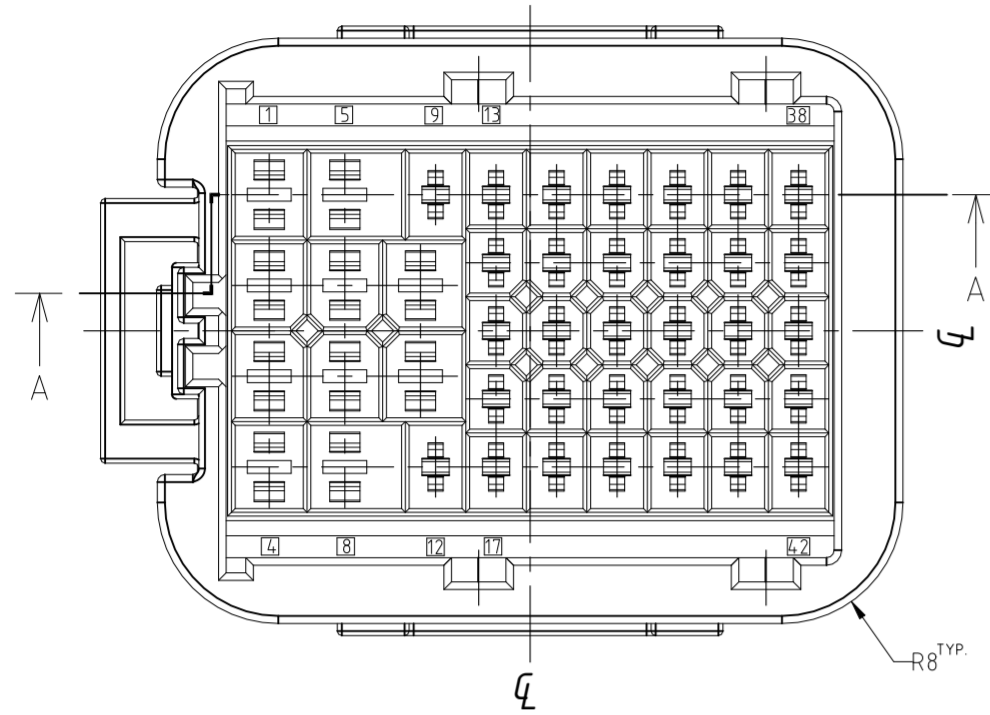


REVISIONS					
P	LTR	DESCRIPTION	DATE	DWN	APVD
B		REVISED(FC00-0189-04)	18/AUG/'04	YD.	CS
C		REVISED(FC00-0228-04)	21/SEP/'04	YD.	CS
C1		REVISED PER ECR-23-177343	22MAY2023	RK	JT



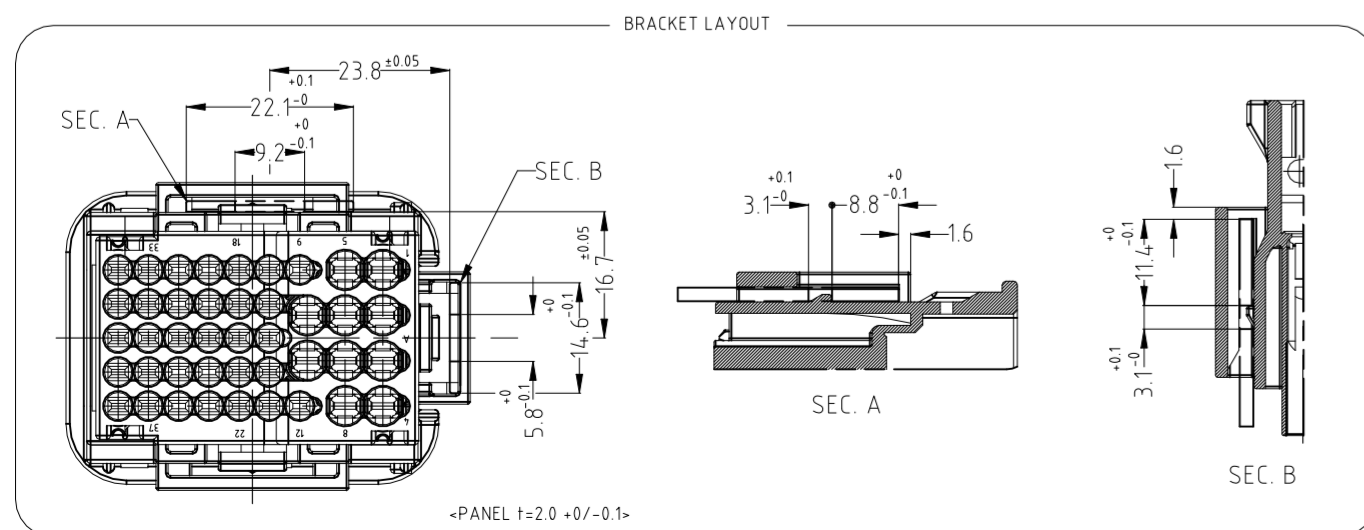
POSITION OF MOUNTING POCKET (CONVERSION PART TYPE)

PART NO.	SHAPE "A"	SHAPE "B"
2-936429-3	○	NONE
2-936429-2	○	NONE
1-936429-2	NONE	○
0-936429-4	○	○
0-936429-2	○	○

- NOTES:
- GENERAL TOLERANCE IS ±0.3
 - CONDITION OF DELIVERY : DBL IN 1ST LOCKING POSITION
 - APPLIED PLUG ASS'Y P/N: X-936421-X
APPLIED INNER SEAL P/N: 0-936863-1
APPLIED WIRE COVER P/N: 0-936614-2
 - APPLIED TAB CONTACT P/N: TABLE 1

TABLE 1

TYPE	Part NO.	WIRE SIZE(mm ²)	FINISH
MT II	0-963902-1	0.25-0.5	CuSn4
	0-963902-3		CuSn4(GOLD)
	0-963904-1	0.5-1.0	CuSn4
	0-963904-3		CuSn4(GOLD)
JPT	1-962915-1	0.5-0.85	CuSn4
	1-962915-3		CuSn4(GOLD)
	1-962916-1	1.25-2.0	CuSn4
	1-962916-3		CuSn4(GOLD)



TOLERANCES UNLESS OTHERWISE SPECIFIED:

0-XX-10	± 0.2
10-XX-30	± 0.25
30-XX	± 0.3
ANGLES	± 3°

THIS DRAWING IS A CONTROLLED DOCUMENT.

DIMENSIONS:	TOLERANCES UNLESS OTHERWISE SPECIFIED:
mm	0 PLC ± -
	1 PLC ± -
	2 PLC ± -
	3 PLC ± -
	4 PLC ± -
	ANGLES ± -
MATERIAL	FINISH
SEE TABLE	-

NO.	P/N	DESCRIPTION	MATERIAL	COLOR	Q'TY
2	0-936430-5	DBL HSG	PBT GF30	YELLOW	1 1 1 1 1
1	2-936424-3	CAP HSG	PA66 GF30	DARK GRAY	1 - - - -
1	2-936424-2	CAP HSG	PA66 GF30	BLACK	- 1 - - -
1	1-936424-2	CAP HSG	PA66 GF30	BLACK	- - 1 - -
1	0-936424-4	CAP HSG	PA66 GF30	BROWN	- - - 1 -
1	0-936424-2	CAP HSG	PA66 GF30	BLACK	- - - - 1

NO.	P/N	DESCRIPTION	MATERIAL	COLOR	Q'TY
2	0-936430-5	DBL HSG	PBT GF30	YELLOW	1 1 1 1 1
1	2-936424-3	CAP HSG	PA66 GF30	DARK GRAY	1 - - - -
1	2-936424-2	CAP HSG	PA66 GF30	BLACK	- 1 - - -
1	1-936424-2	CAP HSG	PA66 GF30	BLACK	- - 1 - -
1	0-936424-4	CAP HSG	PA66 GF30	BROWN	- - - 1 -
1	0-936424-2	CAP HSG	PA66 GF30	BLACK	- - - - 1

NO.	P/N	DESCRIPTION	MATERIAL	COLOR	Q'TY
2	0-936430-5	DBL HSG	PBT GF30	YELLOW	1 1 1 1 1
1	2-936424-3	CAP HSG	PA66 GF30	DARK GRAY	1 - - - -
1	2-936424-2	CAP HSG	PA66 GF30	BLACK	- 1 - - -
1	1-936424-2	CAP HSG	PA66 GF30	BLACK	- - 1 - -
1	0-936424-4	CAP HSG	PA66 GF30	BROWN	- - - 1 -
1	0-936424-2	CAP HSG	PA66 GF30	BLACK	- - - - 1

NO.	P/N	DESCRIPTION	MATERIAL	COLOR	Q'TY
2	0-936430-5	DBL HSG	PBT GF30	YELLOW	1 1 1 1 1
1	2-936424-3	CAP HSG	PA66 GF30	DARK GRAY	1 - - - -
1	2-936424-2	CAP HSG	PA66 GF30	BLACK	- 1 - - -
1	1-936424-2	CAP HSG	PA66 GF30	BLACK	- - 1 - -
1	0-936424-4	CAP HSG	PA66 GF30	BROWN	- - - 1 -
1	0-936424-2	CAP HSG	PA66 GF30	BLACK	- - - - 1

NO.	P/N	DESCRIPTION	MATERIAL	COLOR	Q'TY
2	0-936430-5	DBL HSG	PBT GF30	YELLOW	1 1 1 1 1
1	2-936424-3	CAP HSG	PA66 GF30	DARK GRAY	1 - - - -
1	2-936424-2	CAP HSG	PA66 GF30	BLACK	- 1 - - -
1	1-936424-2	CAP HSG	PA66 GF30	BLACK	- - 1 - -
1	0-936424-4	CAP HSG	PA66 GF30	BROWN	- - - 1 -
1	0-936424-2	CAP HSG	PA66 GF30	BLACK	- - - - 1

NO.	P/N	DESCRIPTION	MATERIAL	COLOR	Q'TY
2	0-936430-5	DBL HSG	PBT GF30	YELLOW	1 1 1 1 1
1	2-936424-3	CAP HSG	PA66 GF30	DARK GRAY	1 - - - -
1	2-936424-2	CAP HSG	PA66 GF30	BLACK	- 1 - - -
1	1-936424-2	CAP HSG	PA66 GF30	BLACK	- - 1 - -
1	0-936424-4	CAP HSG	PA66 GF30	BROWN	- - - 1 -
1	0-936424-2	CAP HSG	PA66 GF30	BLACK	- - - - 1

NO.	P/N	DESCRIPTION	MATERIAL	COLOR	Q'TY
2	0-936430-5	DBL HSG	PBT GF30	YELLOW	1 1 1 1 1
1	2-936424-3	CAP HSG	PA66 GF30	DARK GRAY	1 - - - -
1	2-936424-2	CAP HSG	PA66 GF30	BLACK	- 1 - - -
1	1-936424-2	CAP HSG	PA66 GF30	BLACK	- - 1 - -
1	0-936424-4	CAP HSG	PA66 GF30	BROWN	- - - 1 -
1	0-936424-2	CAP HSG	PA66 GF30	BLACK	- - - - 1

OBsolete

ASSEMBLY P/N/O.

2-936429-3	2-936429-2	1-936429-2	0-936429-4	0-936429-2
------------	------------	------------	------------	------------

NO.	P/N	DESCRIPTION	MATERIAL	COLOR	Q'TY
2	0-936430-5	DBL HSG	PBT GF30	YELLOW	1 1 1 1 1
1	2-936424-3	CAP HSG	PA66 GF30	DARK GRAY	1 - - - -
1	2-936424-2	CAP HSG	PA66 GF30	BLACK	- 1 - - -
1	1-936424-2	CAP HSG	PA66 GF30	BLACK	- - 1 - -
1	0-936424-4	CAP HSG	PA66 GF30	BROWN	- - - 1 -
1	0-936424-2	CAP HSG	PA66 GF30	BLACK	- - - - 1

NO.	P/N	DESCRIPTION	MATERIAL	COLOR	Q'TY
2	0-936430-5	DBL HSG	PBT GF30	YELLOW	1 1 1 1 1
1	2-936424-3	CAP HSG	PA66 GF30	DARK GRAY	1 - - - -
1	2-936424-2	CAP HSG	PA66 GF30	BLACK	- 1 - - -
1	1-936424-2	CAP HSG	PA66 GF30	BLACK	- - 1 - -
1	0-936424-4	CAP HSG	PA66 GF30	BROWN	- - - 1 -
1	0-936424-2	CAP HSG	PA66 GF30	BLACK	- - - - 1

NO.	P/N	DESCRIPTION	MATERIAL	COLOR	Q'TY
2	0-936430-5	DBL HSG	PBT GF30	YELLOW	1 1 1 1 1
1	2-936424-3	CAP HSG	PA66 GF30	DARK GRAY	1 - - - -
1	2-936424-2	CAP HSG	PA66 GF30	BLACK	- 1 - - -
1	1-936424-2	CAP HSG	PA66 GF30	BLACK	- - 1 - -
1	0-936424-4	CAP HSG	PA66 GF30	BROWN	- - - 1 -
1	0-936424-2	CAP HSG	PA66 GF30	BLACK	- - - - 1

NO.	P/N	DESCRIPTION	MATERIAL	COLOR	Q'TY
2	0-936430-5	DBL HSG	PBT GF30	YELLOW	1 1 1 1 1
1	2-936424-3	CAP HSG	PA66 GF30	DARK GRAY	1 - - - -
1	2-936424-2	CAP HSG	PA66 GF30	BLACK	- 1 - - -
1	1-936424-2	CAP HSG	PA66 GF30	BLACK	- - 1 - -
1	0-936424-4	CAP HSG	PA66 GF30	BROWN	- - - 1 -
1	0-936424-2	CAP HSG	PA66 GF30	BLACK	- - - - 1

NO.	P/N	DESCRIPTION	MATERIAL	COLOR	Q'TY
2	0-936430-5	DBL HSG	PBT GF30	YELLOW	1 1 1 1 1
1	2-936424-3	CAP HSG	PA66 GF30	DARK GRAY	1 - - - -
1	2-936424-2	CAP HSG	PA66 GF30	BLACK	- 1 - - -
1	1-936424-2	CAP HSG	PA66 GF30	BLACK	- - 1 - -
1	0-936424-4	CAP HSG	PA66 GF30	BROWN	- - - 1 -
1	0-936424-2	CAP HSG	PA66 GF30	BLACK	- - - - 1

NO.	P/N	DESCRIPTION	MATERIAL	COLOR	Q'TY
2	0-936430-5	DBL HSG	PBT GF30	YELLOW	1 1 1 1 1
1	2-936424-3	CAP HSG	PA66 GF30	DARK GRAY	1 - - - -
1	2-936424-2	CAP HSG	PA66 GF30	BLACK	- 1 - - -
1	1-936424-2	CAP HSG	PA66 GF30	BLACK	- - 1 - -
1	0-936424-4	CAP HSG	PA66 GF30	BROWN	- - - 1 -
1	0-936424-2	CAP HSG	PA66 GF30	BLACK	- - - - 1