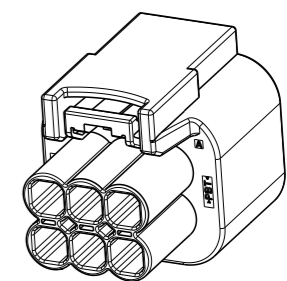
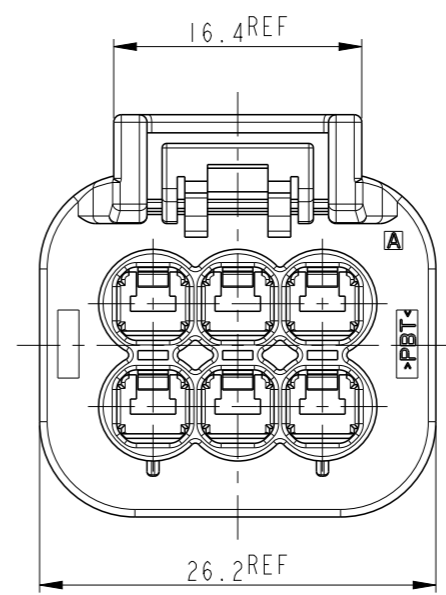
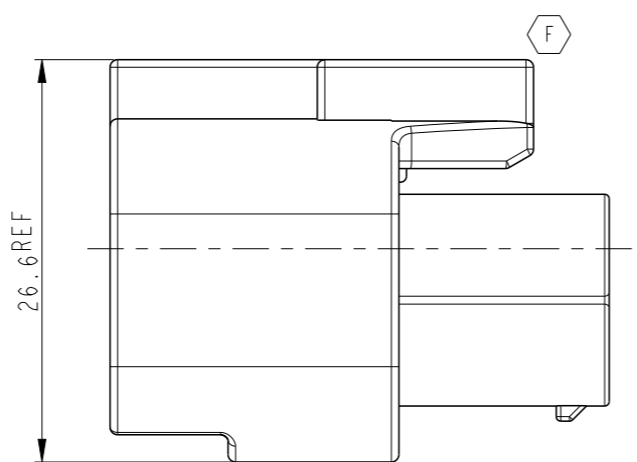
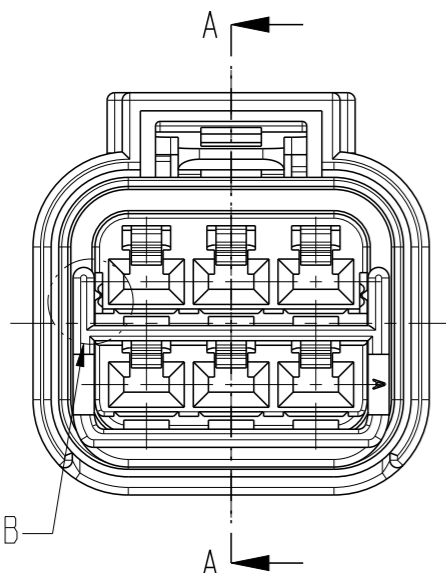


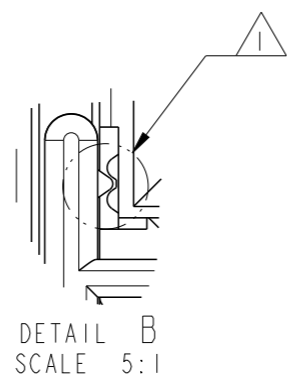
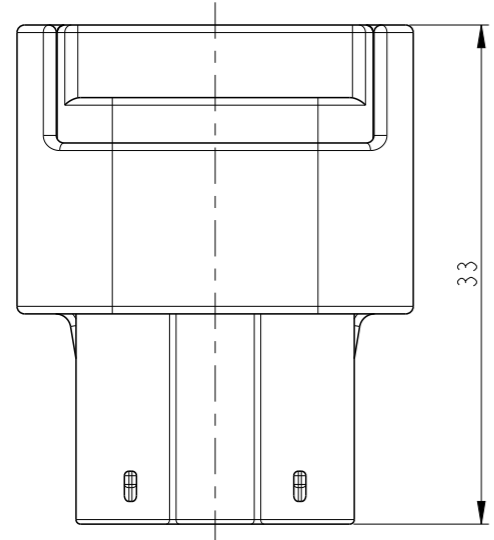
REVISIONS

P	LTR	DESCRIPTION	DATE	DWN	APVD
E		REVISED (ECR-16-000548)	09MAR2016	SJ	JW
F		REVISED (ECR-17-003587)	02MAY2017	SJ	JW
G		REVISED (ECR-20-008916)	13OCT2020	YH	YJ
G1		REVISED (ECR-24-209411)	21MAY2024	DMR	YH

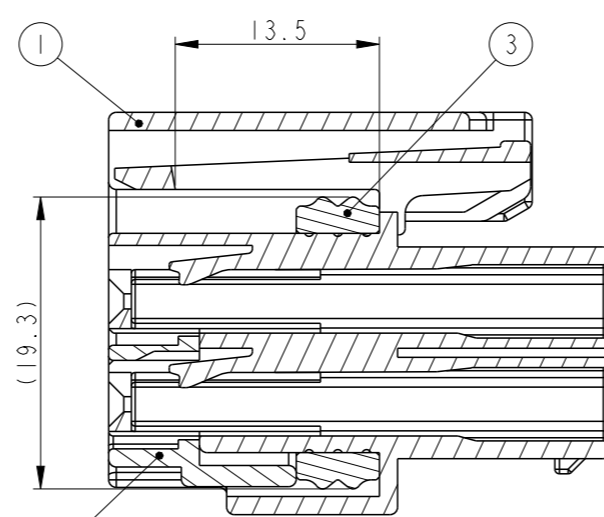


3D ISO SCALE 1:1

SEE DETAIL B



DETAIL B SCALE 5:1



SECTION A-A

NOTE.

- 1. CONDITION OF DELIVERY : DBL PLATE IN OPEN POSITION
- 2. APPLIED RECEPTACLE CONTACT P/N

CONTACT	MCP-E TERMINAL	
Part No.	936606-1	936607-1
WIRE SIZE (mm <sup>2</sup> )	1.0~2.0 SQ	0.5~1.0 SQ

- 3. APPLIED MALE CONNECTOR P/N : 936294-2
- 4. APPLIED COVER HSG P/N : 936303-2
- 5. GENERAL TOLERANCE : TABLE 2

NO.	DESCRIPTION	MATERIAL	COLOR	QTY
3	INNER SEAL	SILICONE	BROWN	1
2	DBL HSG	PBT	NATURAL	1
1	PLUG HSG	PBT	GRAY	-
	PLUG HSG	PBT	BLACK	1

< TABLE 2 >

TOLERANCES UNLESS OTHERWISE SPECIFIED :		
0 <XX<10	±	0.2
10<XX<30	±	0.25
30<XX	±	0.3
ANGLES	±	3°

THIS DRAWING IS A CONTROLLED DOCUMENT.

DIMENSIONS:	TOLERANCES UNLESS OTHERWISE SPECIFIED:
mm	
	0 PLC ±
	1 PLC ±
	2 PLC ±
	3 PLC ±
	4 PLC ±
ANGLES	±
MATERIAL	FINISH
SEE TABLE	

DWN	YH MA
CHK	BM JANG
APVD	CS IFF
PRODUCT SPEC	
APPLICATION SPEC	
WEIGHT	
CUSTOMER DRAWING	

**TE** TE Connectivity

NAME  
**MCP-E SEALED 6P PLUG ASSEMBLY**

SIZE	CAGE CODE	DRAWING NO	RESTRICTED TO
A3	00779	936257	-

SCALE 2:1 SHEET 1 OF 1 REV G1