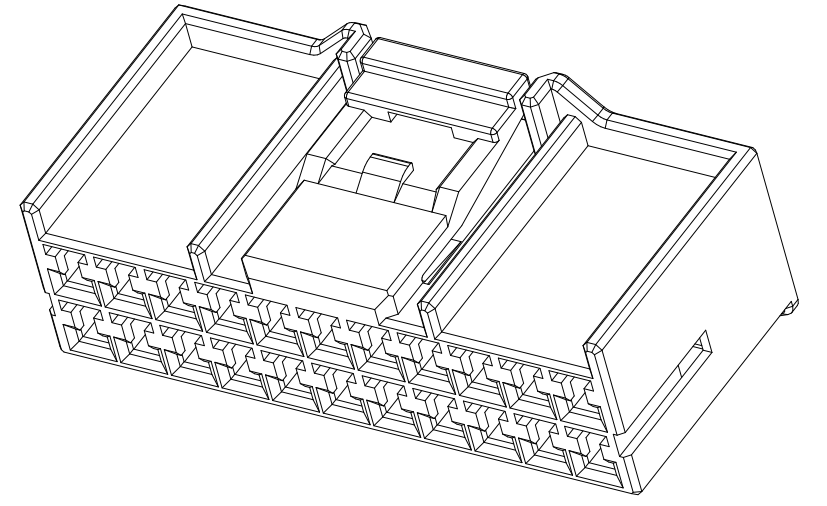
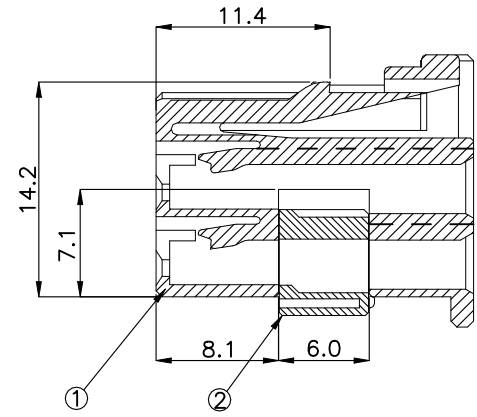
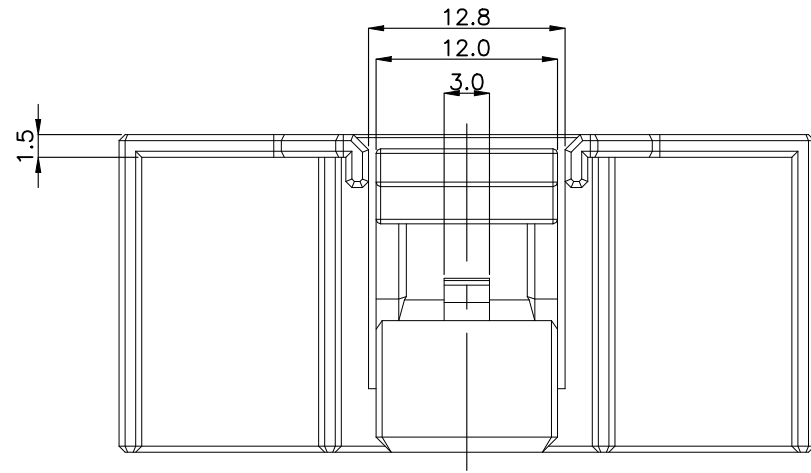
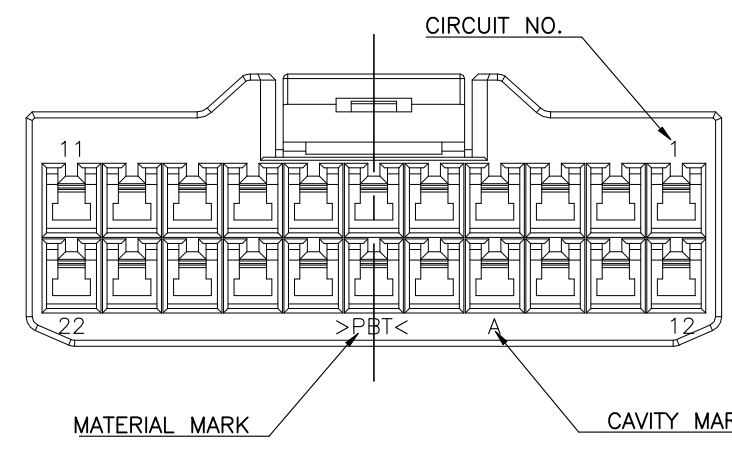
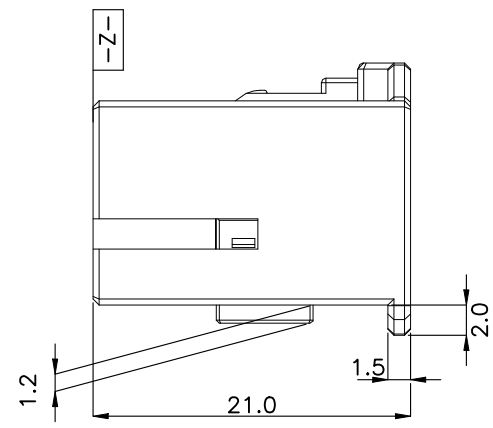
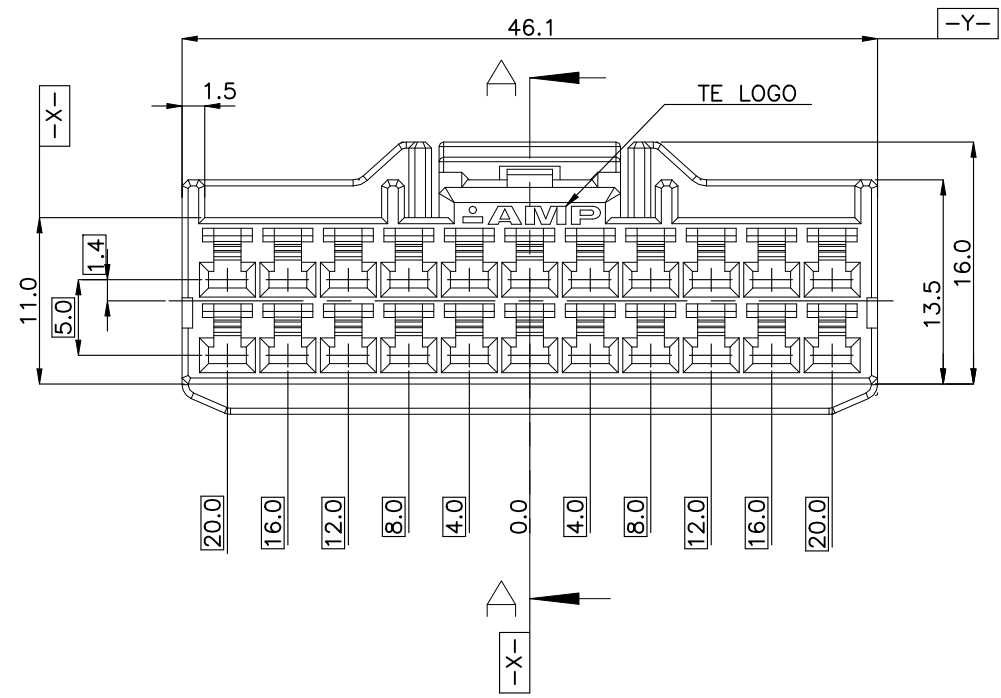


P	LTR	DESCRIPTION	DATE	DWN	APVD
C4		REVISED PER ECR-23-177343	28SEP2023	RK	JT



SECTION A-A



ASSY P/N	QTY
1-936151-3	1
0-936151-8	1
0-936151-7	1
0-936151-6	1
0-936151-5	1
0-936151-4	1
0-936151-3	1
0-936151-2	1
0-936151-1	1

TOLERANCES UNLESS OTHERWISE SPECIFIED:

0 <XX<10	± 0.2
10<XX<30	± 0.25
30<XX	± 0.3
ANGLES	± 3°

NO	COLOR	MATERIAL	DESCRIPTION	P/N	QTY
1	D/GRAY	PBT	PLUG	1-936152-3	1
	BLUE	PBT	PLUG	0-936152-8	1
	GREEN	PBT	PLUG	0-936152-7	1
	RED	PBT	PLUG	0-936152-6	1
	YELLOW	PBT	PLUG	0-936152-5	1
	BROWN	PBT	PLUG	0-936152-4	1
	L/GRAY	PBT	PLUG	0-936152-3	1
	BLACK	PBT	PLUG	0-936152-2	1
2	NATURAL	PBT	DBL	0-936152-1	1
NO					
2	NATURAL	PBT	DBL	0-936153-1	1 1 1 1 1 1 1 1 1 1

NOTES:
 1. THE MATING HSG. P/N ; 936154
 2. APPLIED CONTACT P/N ;
 090 II REC.- 368083,368084,368085
 090 III REC.- 1743654,1743655,1743656,1897753,1897598

-주 기-
 1. 상대 하우징 P/N. ; 936154
 2. 적용단자 P/N. ; 090 II REC.- 368083,368084,368085
 090 III REC.- 1743654,1743655,1743656,1897753,1897598

THIS DRAWING IS A CONTROLLED DOCUMENT.

DIMENSIONS: mm	TOLERANCES UNLESS OTHERWISE SPECIFIED: 0 PLC ± - 1 PLC ± - 2 PLC ± - 3 PLC ± - 4 PLC ± - ANGLES ± -	DWN SJ CHOI	TE Connectivity 090III 22P PLUG ASS'Y
MATERIAL	FINISH	CHK JW JUNG	
		APVD HG CHO	
		PRODUCT SPEC	
		APPLICATION SPEC	NAME
		WEIGHT 0	SIZE A3
			CAGE CODE 00779
			DRAWING NO C-936151
			RESTRICTED TO
			SCALE 2:1
			SHEET 1 OF 1
			REV C4

CUSTOMER DRAWING