

THIS DRAWING IS UNPUBLISHED.

RELEASED FOR PUBLICATION

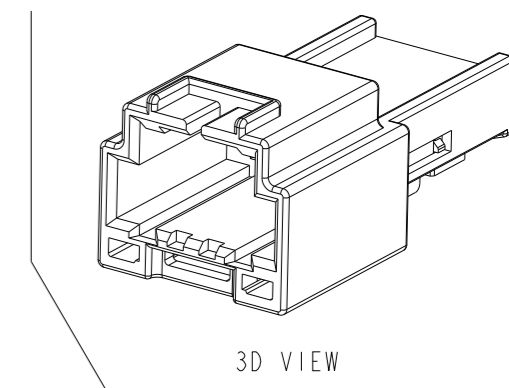
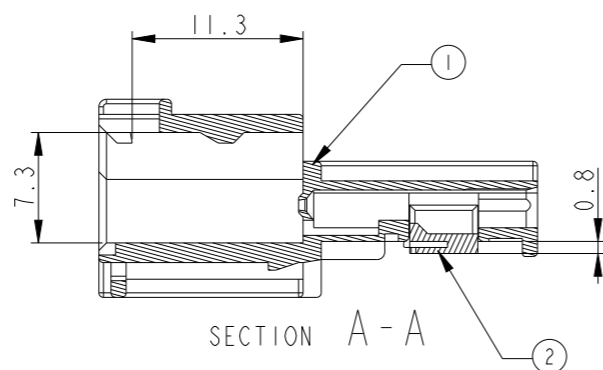
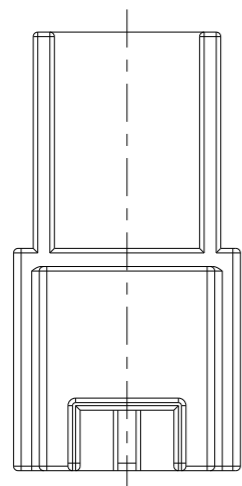
© COPYRIGHT

BY TE CONNECTIVITY

ALL RIGHTS RESERVED.

REVISIONS

P	LTR	DESCRIPTION	DATE	DWN	APVD
	0	RELEASED	28.MAR.'02	HS	CS
	A	REVISED (ECR-09-002852)	10.FEB.'09	KT	HG
	B	REVISED (ECR-23-175821)	22MAR2023	SY	KT
Ⓟ	B1	REVISED (ECR-23-189459)	12OCT2023	SY	KT



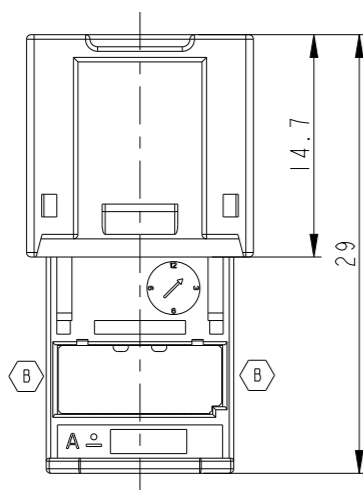
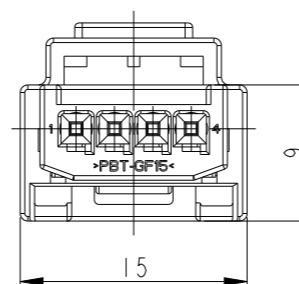
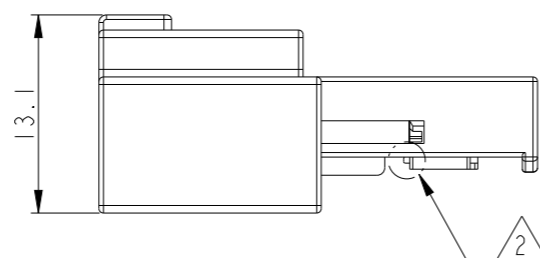
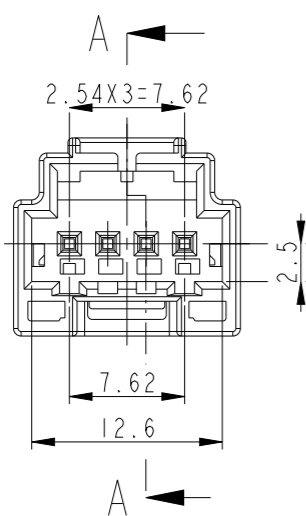
NOTES

- 1. GENERAL TOLERANCE IS ± 0.3
- 2. CONDITION OF DELIVERY : DBL IN 1st LOCKING POSITION
- 3. APPLIED CLIP HSG:

PART NO.	PANEL THICKNESS	PANEL HOLE SIZE
368165	0.7~1.6mm	
368373	0.5~2.0mm	

- 4. APPLIED PLUG ASS'Y P/N: 936119
- 5. APPLIED TAB CONTACT P/N:

PART NO.	928918	963716
WIRE SIZE(mm ²)	0.25~0.5	0.75



NO.	COLOR	MATERIAL	DESCRIPTION	P/N	REV.	QTY
Ⓟ 2	WHITE	PBT-GF15	DBL HSG	936123-1	1	1
Ⓟ 1	YELLOW	PBT-GF15	CAP HSG	936122-2	1	-
	BLACK	PBT-GF15	CAP HSG	936122-1	-	1

THIS DRAWING IS A CONTROLLED DOCUMENT.

DIMENSIONS: MM	TOLERANCES UNLESS OTHERWISE SPECIFIED:
	0 PLC ±
	1 PLC ±
	2 PLC ±
	3 PLC ±
	4 PLC ±
	ANGLES ±
MATERIAL	FINISH
SEE TABLE	-

DWN KT JUNG	NAME MQS 4P CAP ASSEMBLY
CHK JW JUNG	
APVD HG CHO	
PRODUCT SPEC	
APPLICATION SPEC	
WEIGHT	
CUSTOMER DRAWING	



SIZE A3	CAGE CODE 00779	DRAWING NO G-936121	RESTRICTED TO
SCALE 2:1	SHEET 1 OF 1	REV B1	