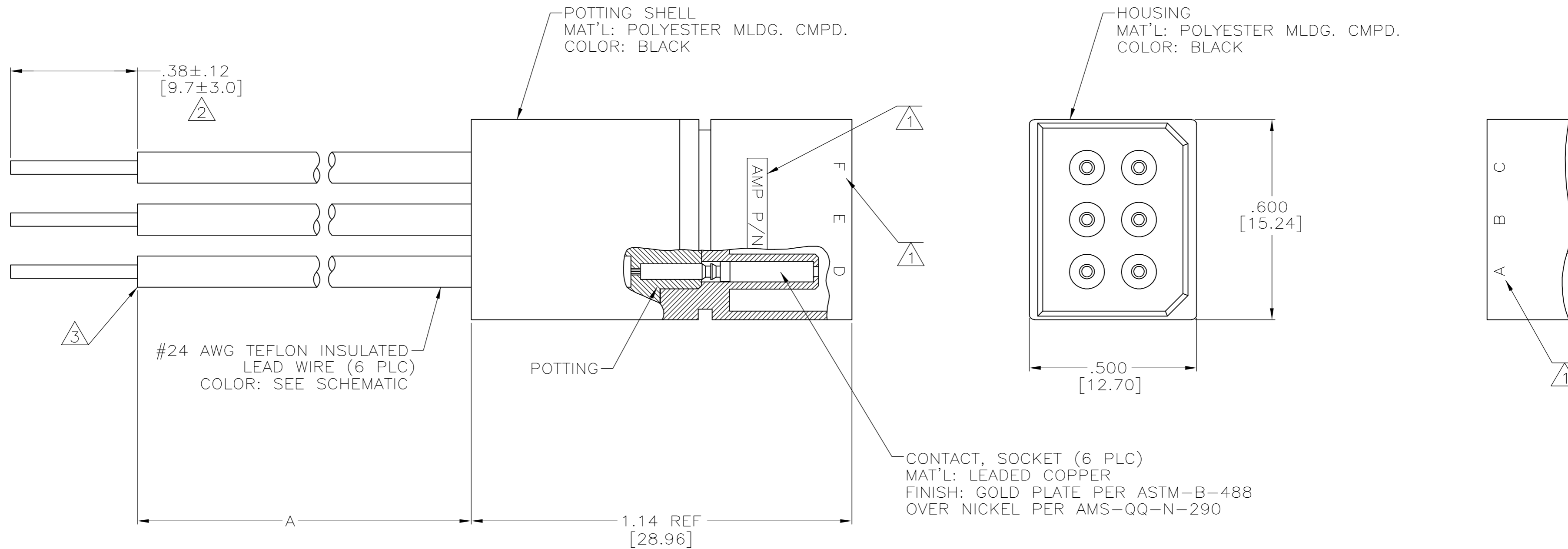


THIS DRAWING IS UNPUBLISHED. RELEASED FOR PUBLICATION - .N/A .  
 © COPYRIGHT N/A BY TYCO ELECTRONICS CORPORATION. ALL RIGHTS RESERVED.

LOC		DIST		REVISIONS			
P	LTR	DESCRIPTION		DATE	DWN	APVD	
D		REV PER ECO-05-003302		08-05	AA	DE	

PART NO.	"A" DIM	REMARKS
867468-1	12.00±.50 [304.0±12.7]	②
867468-2	24.00±.50 [609.6±12.7]	②
867468-3	36.00±.50 [914.4±12.7]	②
5-867468-1	12.00±.50 [304.0±12.7]	③
5-867468-3	36.00±.50 [914.4±12.7]	③

- ① MARKED PER MIL-STD-130.
- ② PIGTAILS ARE SOLDER-DIPPED.
- ③ INSULATION CUT, BUT NOT REMOVED.



A	BROWN
B	RED
C	GREEN
D	BLUE
E	BLACK
F	WHITE

SCHEMATIC

THIS DRAWING IS A CONTROLLED DOCUMENT.		DWN C.C.THOMAS 26-JUL-93	Tyco Electronics Corporation Harrisburg, Pa 17105-3608	
DIMENSIONS: INCHES		CHK S.GLATFELTER 27-JUL-93		
TOLERANCES UNLESS OTHERWISE SPECIFIED:		APVD S.GLATFELTER 27-JUL-93	NAME RECEPTACLE ASSY WITH FLYING LEADS 6 POSN, LGH	
 0 PLC ± - 1 PLC ± - 2 PLC ± - 3 PLC ± .015 [0.38] 4 PLC ± - ANGLES ± -		PRODUCT SPEC -	SIZE A2	
MATERIAL SEE CALLOUTS		FINISH SEE CALLOUTS	WEIGHT -	CAGE CODE 00779
		DRAWING NO C=867468		RESTRICTED TO -
		CUSTOMER DRAWING		SCALE 4:1
		SHEET 1 OF 1		REV D