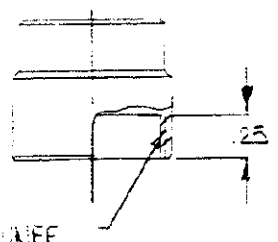


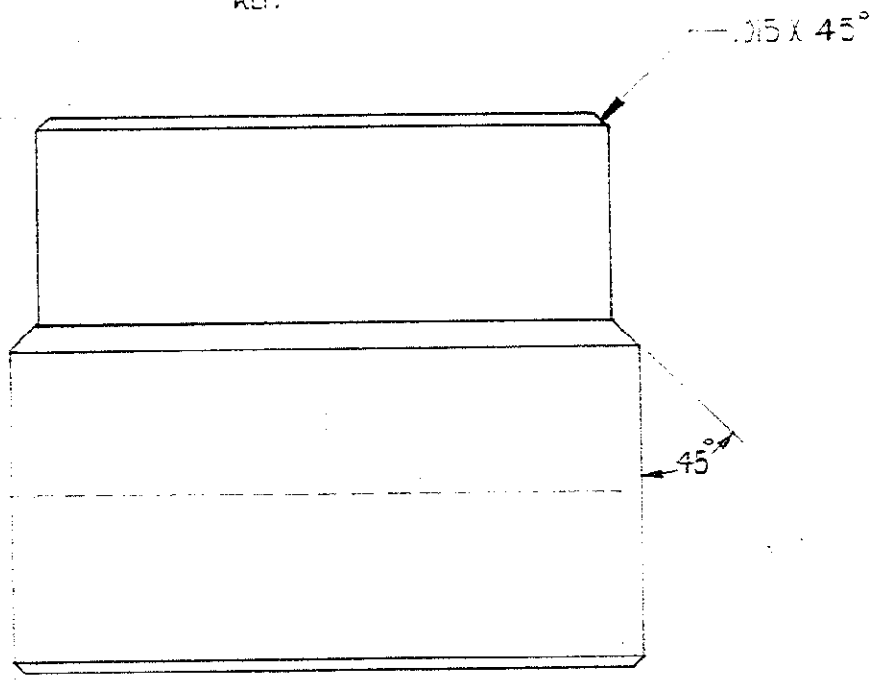
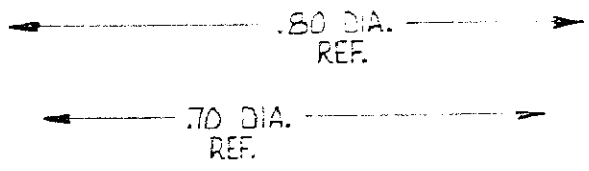
DRAWING MADE IN THIRD ANGLE PROJECTION

© COPYRIGHT 1977 BY AMP INCORPORATED, HARRISBURG, PA. ALL INTERNATIONAL RIGHTS RESERVED. AMP INCORPORATED PRODUCTS COVERED BY U.S. AND FOREIGN PATENTS AND/OR PATENTS PENDING.

REVISIONS			
LTR	DESCRIPTION	DATE	APPROVED
A	ADDED -2	1/24/79	[Signature]



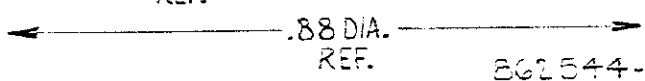
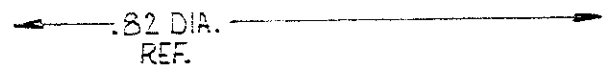
3/16-20 UNF  
2B THD.  
862544-2 ONLY



.79 REF.

.46 REF.

.25 REF.



862544-1 AS SHOWN

1-2 SAME AS -1 EXCEPT:  
THREADS

REV STATUS	REV																			
OF SHEETS	SHEET	1	2	3	4	5	6	7	8	9	10	11	12							

UNLESS OTHERWISE SPECIFIED DIMENSIONS ARE IN INCHES.  
TOLERANCES:  
.00 = .000 ±  
ANGLES ±

CONTRACT NO  
DR DICK STONE 8-16-77



MATERIAL  
VALOX 420-SED

CHK  
APPD  
APPD

NAME  
PLUG POTTING SHELL  
LGH

FINISH  
BLACK

DSGN APPD  
OTHER APPD

SIZE <b>A</b>	CODE IDENT NO <b>00779</b>	DRAWING NO 862544
SCALE 4:1	SHEET	