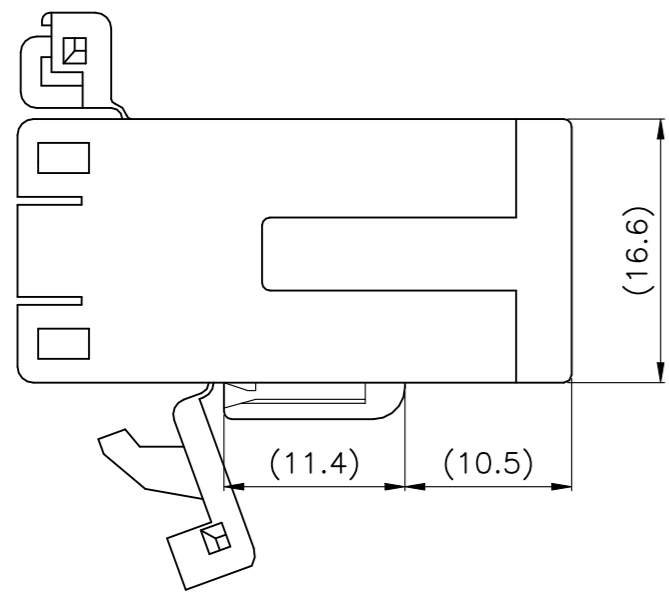
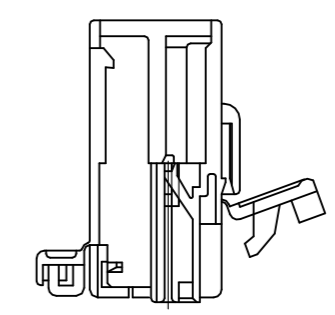
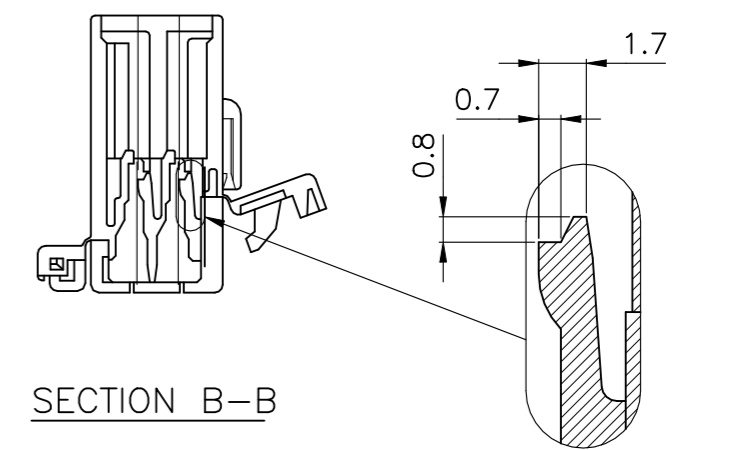
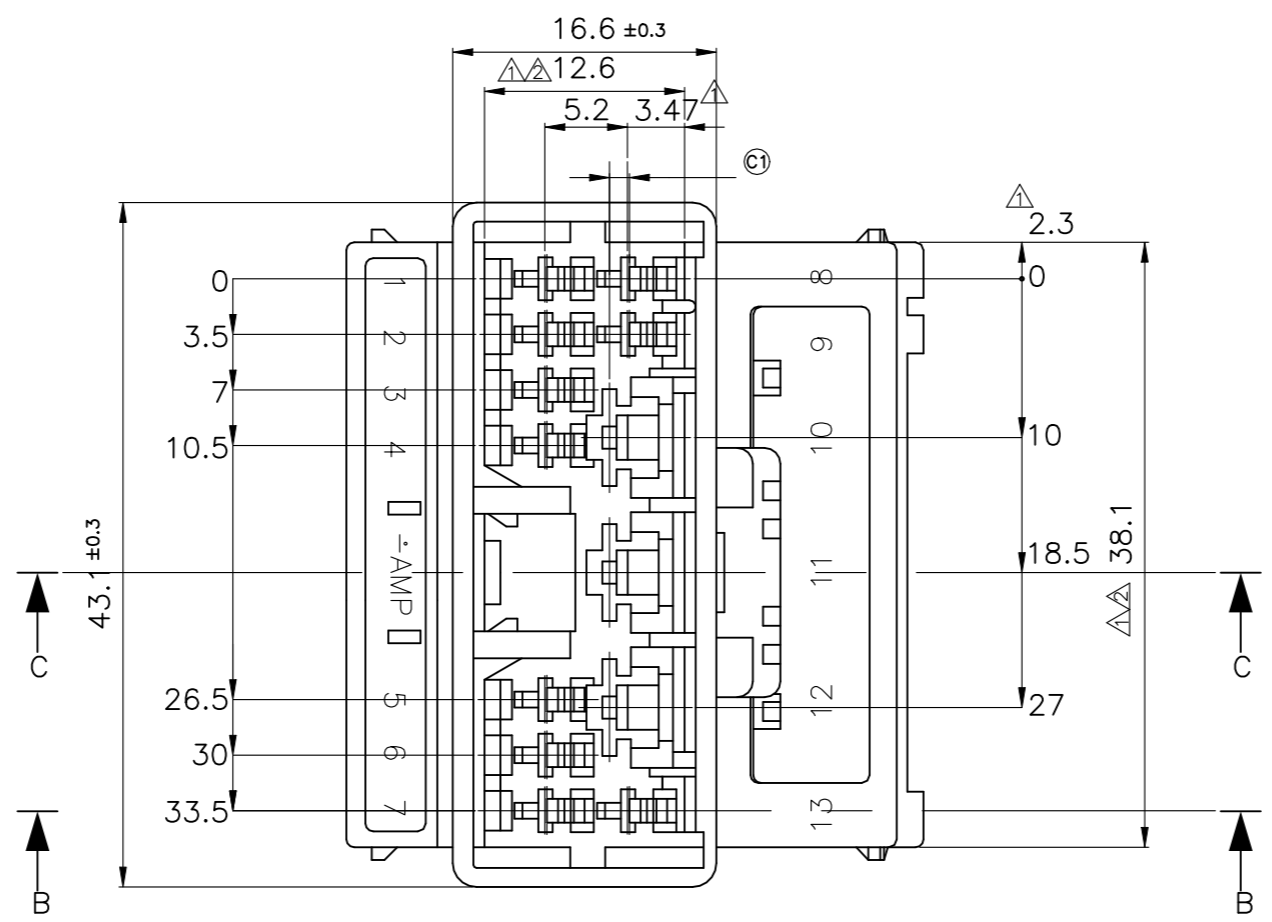
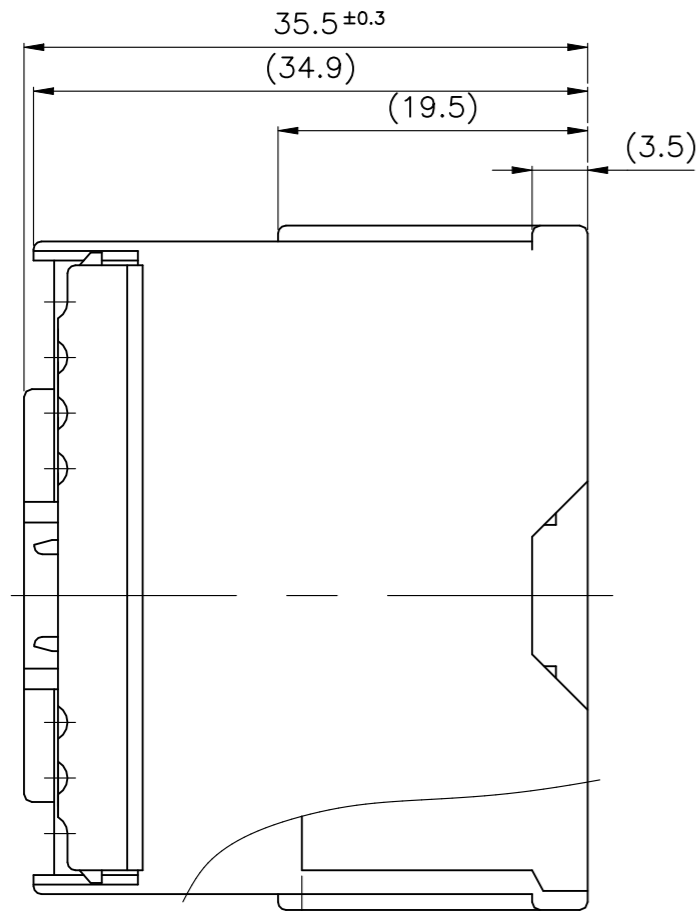


REVISIONS					
P	LTR	DESCRIPTION	DATE	DWN	APVD
C4		REVISED PER ECR-23-177343	28SEP2023	RK	JT



NOTE

- ▲ MUST BE KEPT BETWEEN -A- AND 2.
- ▲ TO BE MATED WITH REC HSG SMOOTHLY
- 3. APPLIED TAB CONTACT PART NUMBERS
 - . 070 SERIES : 173633, 173645
 - . 250 SERIES : 170340, 170341, 170349
- 4. APPLIED PLUG HSG P/N; 85111
- ◎▲ THESE ARE FOR LOCAL CUSTOMER WITH POLY BAG/MID BOX/OUT BOX.
- ◎▲ THIS IS FOR EXPORT WITH TRAY/OUT BOX.

OBS	1-85112-2	P.B.T	BLACK	▲	◎
	85112-5	P.B.T	BLUE	▲	
OBS	85112-4	P.B.T	GREEN	▲	◎
OBS	85112-2	P.B.T	BLACK	▲	◎
	85112-1	P.B.T	WHITE	▲	
	P/N	MATERIAL	COLOR	PACKING	

0<XX<10	±0.2
10<XX<30	±0.25
30<XX	±0.3
ANGLES	±3°

THIS DRAWING IS A CONTROLLED DOCUMENT.		DWN	-	STE TE Connectivity			
		YD. LEE	-				
		CHK	-				
		BM JANG	-				
		APVD	-	.070/.250 HYBRID 13P CAP HSG			
		CS LEE	-				
		PRODUCT SPEC	-				
		APPLICATION SPEC	-				
		WEIGHT	-	SIZE	CAGE CODE	DRAWING NO	RESTRICTED TO
		MATERIAL	SEE TABLE	A3	00779	C-85112	-
		DIMENSIONS:	mm	CUSTOMER DRAWING		SCALE	1:1
		TOLERANCES UNLESS OTHERWISE SPECIFIED:				SHEET	1 OF 1
		0 PLC ± -				REV	C4
		1 PLC ± -					
		2 PLC ± -					
		3 PLC ± -					
		4 PLC ± -					
		ANGLES ± 3°					
		FINISH	-				