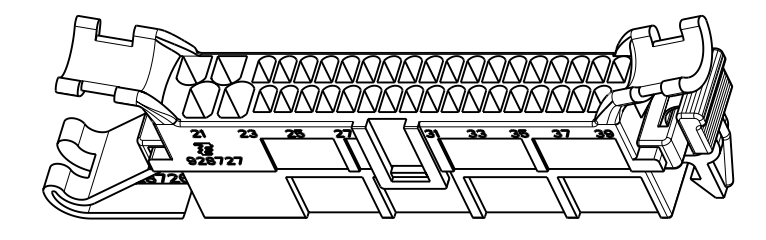
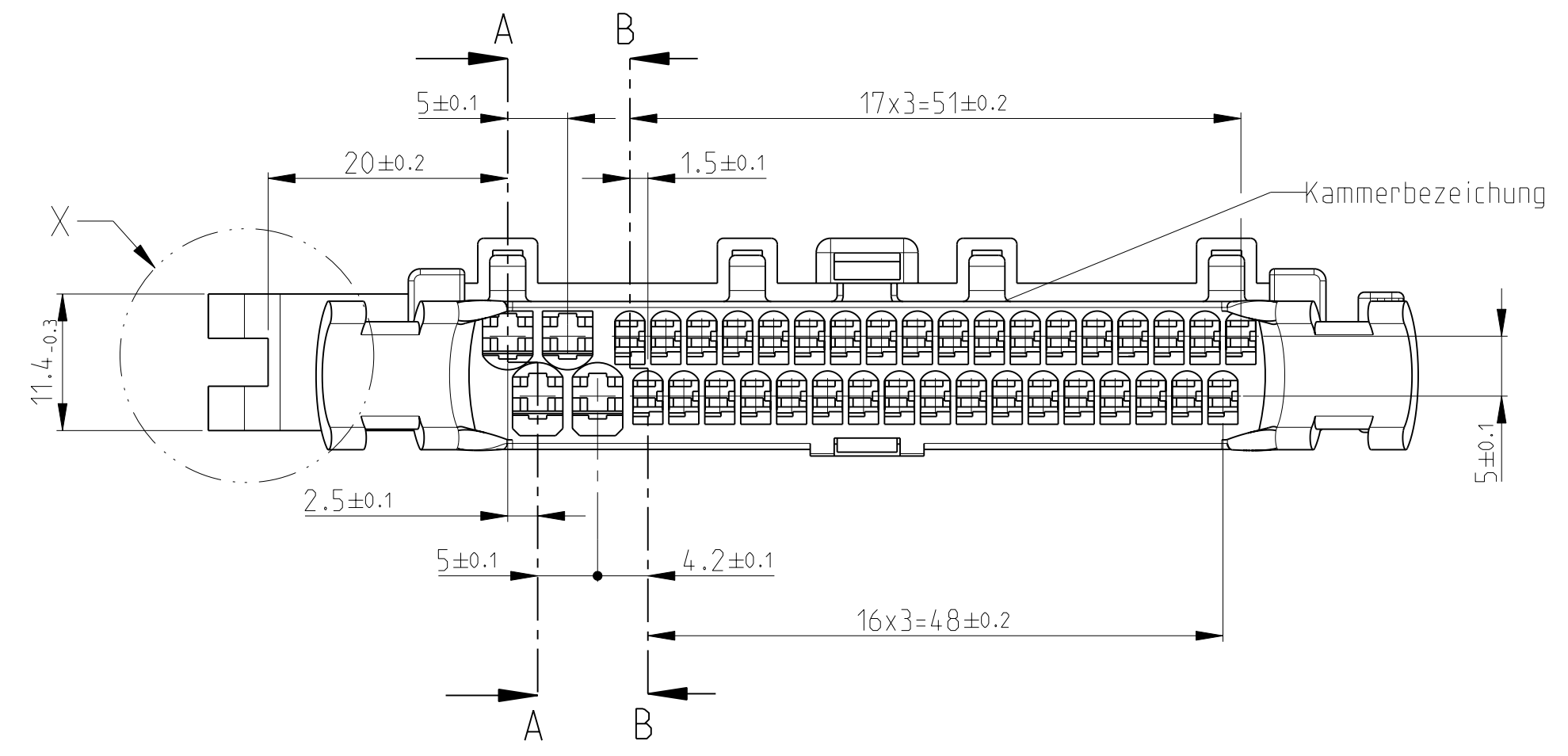
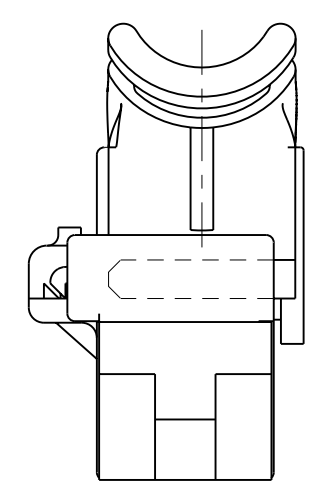
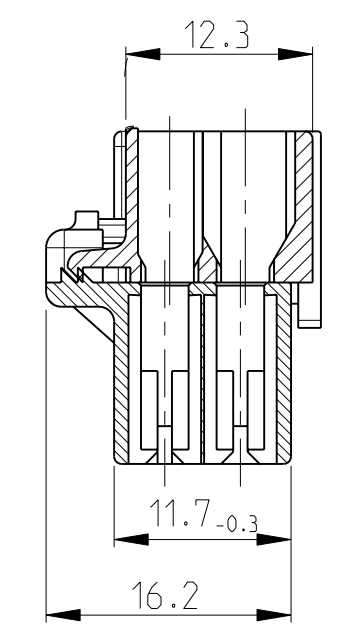
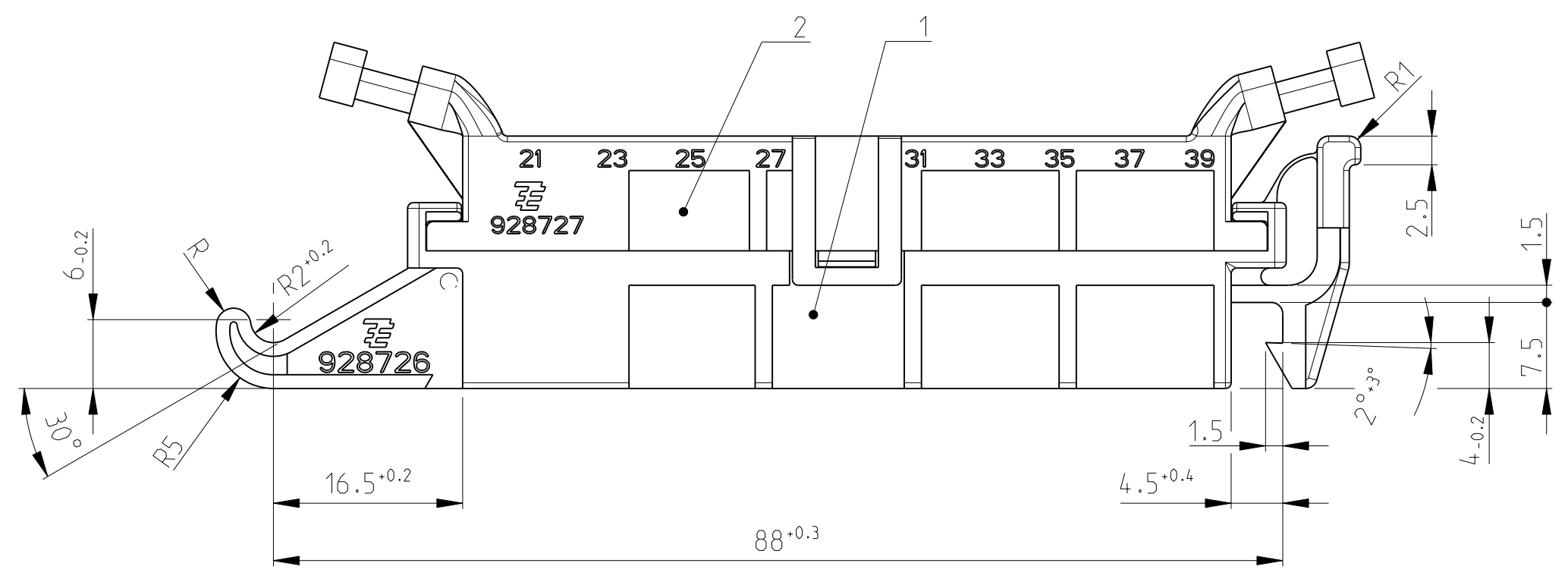
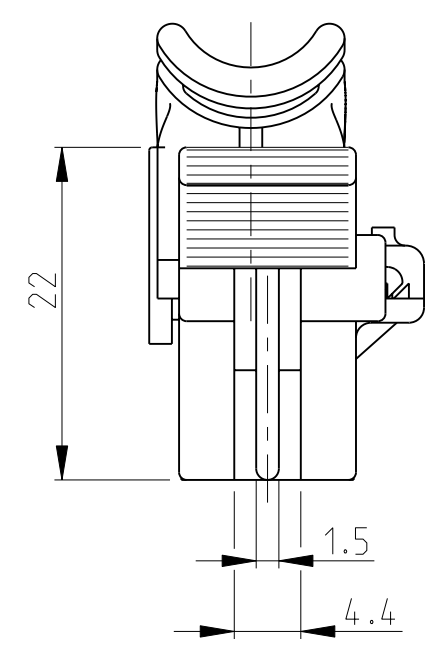


THIS DRAWING IS UNPUBLISHED. RELEASED FOR PUBLICATION 1987
 © COPYRIGHT 1987 BY TYCO ELECTRONICS CORPORATION. ALL RIGHTS RESERVED.

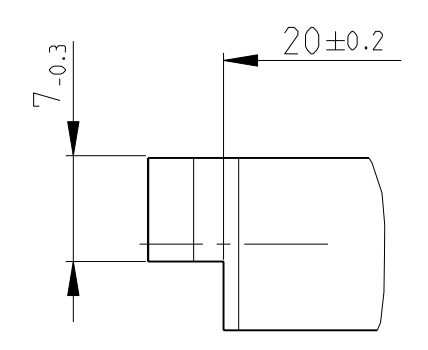
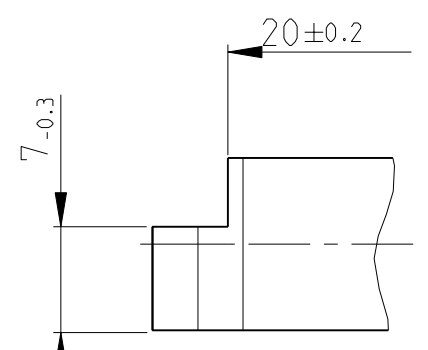
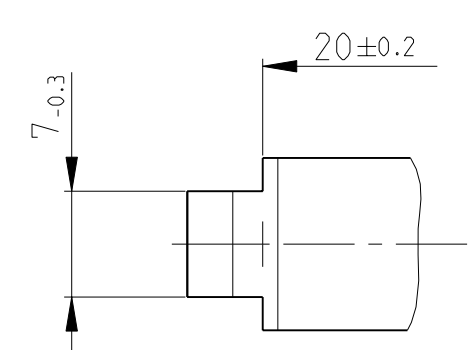
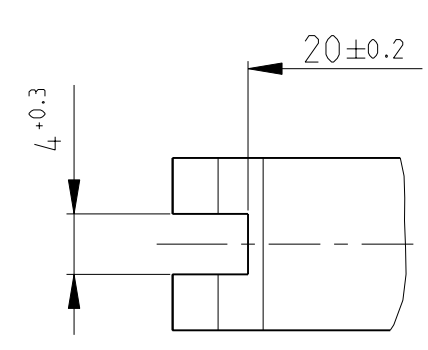
LOC		DIST		REVISIONS			
P	LTR	DESCRIPTION	DATE	DWN	APVD		
1		Verrastung geändert	18AUG87	-	W.P.		
2		Maße geändert	29JUNE87	-	W.P.		
3		4.Kodierung hinzu	07DEC87	-	-		
A		See PCN E-08-026542	11NOV2008	MK	KR		



Schnitt A-A
SECTION A-A

Schnitt B-B
SECTION B-B

- 1 In Vorverrastung dargestellt
PREMOUNTED AS SHOWN
- 2 Passendes Gegenstueck 828772 / 828773
SUITABLE MATING PART 828772 / 828773



Kodierung 1
CODING 1
828771-1

Kodierung 4
CODING 4
86-9336-4

Kodierung 2
CODING 2
86-9336-2

Kodierung 3
CODING 3
86-9336-3

828771-1	A	2	1	Gehäuseoberteil (UPPER PART)	PA6.6 GF 13	schwarz (BLACK)
		1	1	Gehäuseunterteil (LOWER PART)	PA6.6 GF 13	schwarz (BLACK)
BESTELL-NR	REV.	POS.	STÜCK	BENENNUNG EINZELTEIL	WERKSTOFF	FARBE

DIMENSIONS: mm		TOLERANCES UNLESS OTHERWISE SPECIFIED:		DWN W.PFEFFER 09DEC1986 CHK H. BOUDA 29JUNE1987		Tyco Electronics Deutschland GmbH Langen b. Frmm., West Germany	
MATERIAL		FINISH		APVD -		NAME 39 pos. Rec. Hsg. for 4 x Junior + 35 x Micro Timer Ass'y	
				PRODUCT SPEC -		39 POS. HSG. FOR JUNIOR+MICRON TIMER CONT.1	
				APPLICATION SPEC -		SIZE CAGE CODE DRAWING NO RESTRICTED TO	
				WEIGHT -		A2 00779 C-828771	
				CUSTOMER DRAWING		SCALE 2:1 SHEET 1 OF 1 REV A	