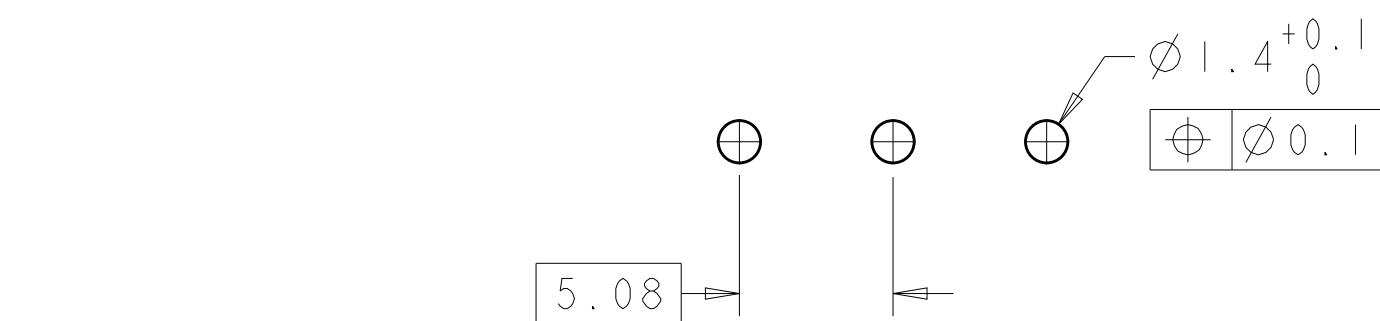
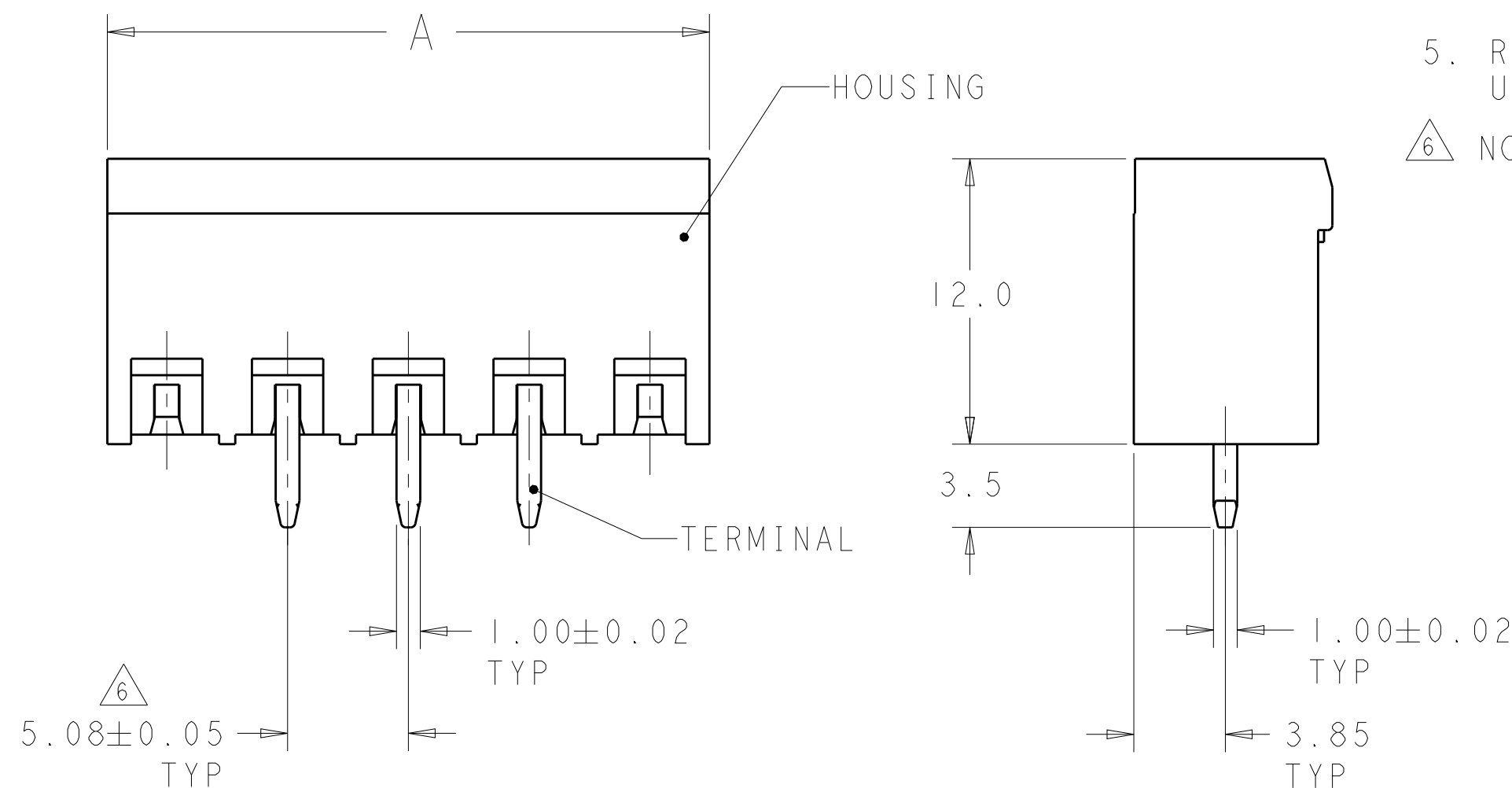
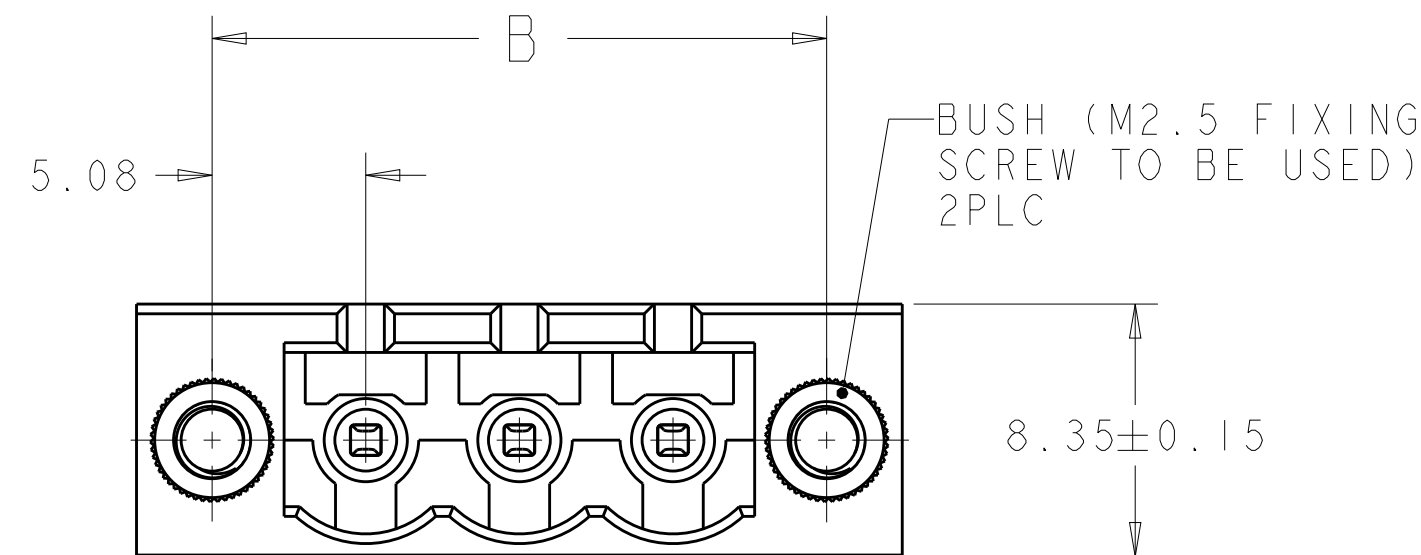


P	LTR	DESCRIPTION	DATE	DWN	APVD
B6		BUSH PART INFORMATION ADDED	13APR2018	RK	PS
B7		PART OBSOLETE	02SEP2020	DV	PS

NOTES:

- MATERIALS AND FINISH:
 HOUSING: PA 6-6, UL 94V-0, COLOR: SEE TABLE.
 TERMINAL: COPPER ALLOY, PLATING: SEE TABLE. OVER 2-3µm NICKEL
 BUSH : BRASS, NICKEL PLATED.
- MECHANICAL
 MIN. PC BOARD HOLES DIAMETER : 1.4 mm
 MAX. PC BOARD THICKNESS : 2.4 mm
- ELECTRICAL
 WIRE RANGE : 12-30 AWG
 MAX. VOLTAGE : 300 V
 MAX CURRENT : 15 A
 CONTACT RESISTANCE : <15 m Ohm
 INSULATION RESISTANCE : >1000 M Ohm (500V DC)
- OPERATING TEMPERATURE RANGE: -40°C TO +110°C
- RECOGNIZED UNDER THE COMPONENT PROGRAM OF UNDERWRITERS LABORATORIES INC. FILE NO. E60677.
- NOT CUMULATIVE TOLERANCE.



RECOMMENDED PC BOARD LAYOUT

OBSOLETE	GREEN	0.76µm GOLD	55.88	60.88	10	2-796867-8
	GRAY RAL7032	0.76µm GOLD	30.48	35.48	5	2-796867-5
	0.2µm GOLD	30.48	35.48	5	2-796867-4	
	TIN	121.92	126.92	23	2-796867-3	
	TIN	116.84	121.84	22	2-796867-2	
	TIN	111.76	116.76	21	2-796867-1	
	TIN	106.68	111.68	20	2-796867-0	
	TIN	101.60	106.60	19	1-796867-9	
	TIN	96.52	101.52	18	1-796867-8	
	TIN	91.44	96.44	17	1-796867-7	
	TIN	86.36	91.36	16	1-796867-6	
	TIN	81.28	86.28	15	1-796867-5	
	TIN	76.20	81.20	14	1-796867-4	
	TIN	71.12	76.12	13	1-796867-3	
	TIN	66.04	71.04	12	1-796867-2	
	TIN	60.96	65.96	11	1-796867-1	
	TIN	55.88	60.88	10	1-796867-0	
	TIN	50.80	55.80	9	796867-9	
	TIN	45.72	50.72	8	796867-8	
	TIN	40.64	45.64	7	796867-7	
	TIN	35.56	40.56	6	796867-6	
	TIN	30.48	35.48	5	796867-5	
	TIN	25.40	30.40	4	796867-4	
	TIN	20.32	25.32	3	796867-3	
	TIN	15.24	20.24	2	796867-2	
	GREEN					
COLOR	TERMINAL PLATING	B	A	NO OF POSN	PART NUMBER	

THIS DRAWING IS A CONTROLLED DOCUMENT.

DWN S. WELDON 10 JUN 2002
 CHK D. BIEVENOUR 10 JUN 2002
 APVD D. BIEVENOUR 10 JUN 2002

STE TE Connectivity

NAME: TERMINAL BLOCK HEADER ASSEMBLY, VERTICAL, WITH LOCKING SCREW FLANGE, 5.08mm PITCH

SIZE: A2 CAGE CODE: 00779 DRAWING NO: C-796867

MATERIAL: SEE NOTES TOLERANCES UNLESS OTHERWISE SPECIFIED:
 0 PLC ±
 1 PLC ±0.3
 2 PLC ±0.25
 3 PLC ±
 4 PLC ±
 ANGLES ±
 FINISH SEE NOTES

PRODUCT SPEC: -
 APPLICATION SPEC: -
 WEIGHT: -

CUSTOMER DRAWING SCALE: 4:1 SHEET 1 OF 1 REV: B7