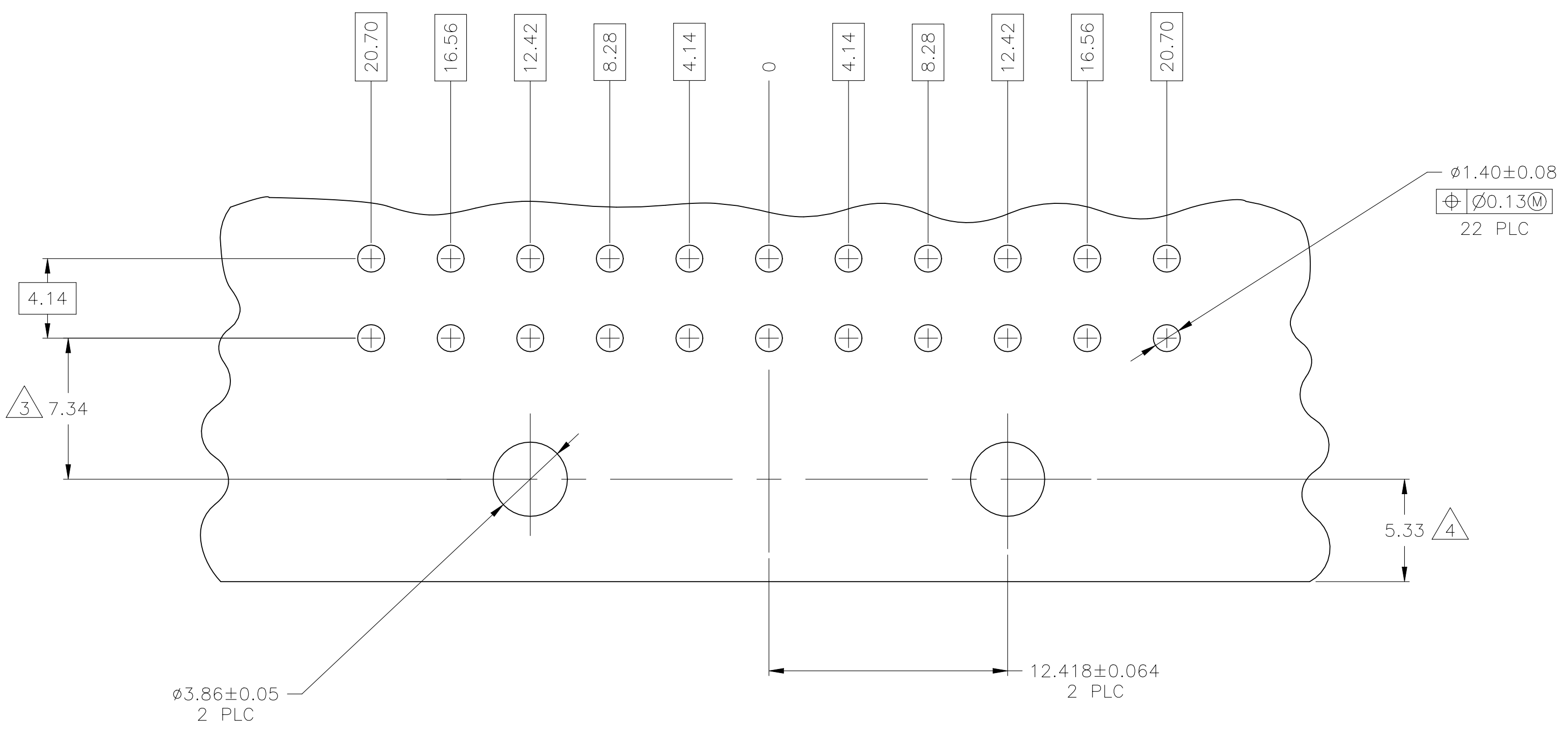
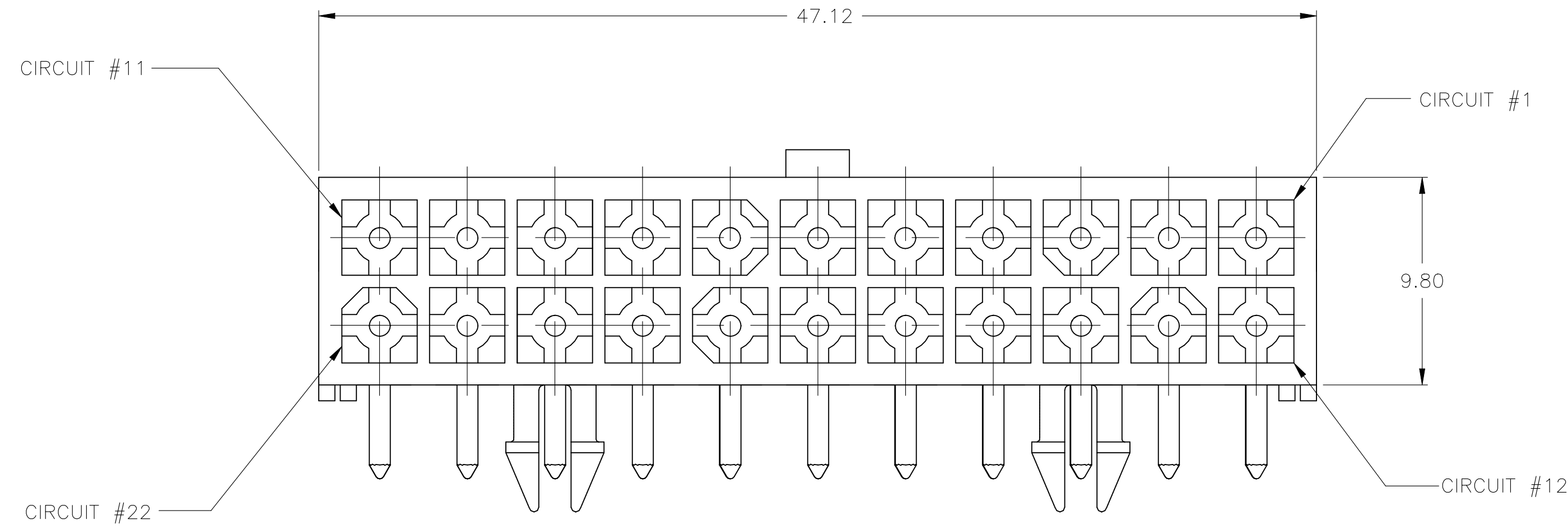
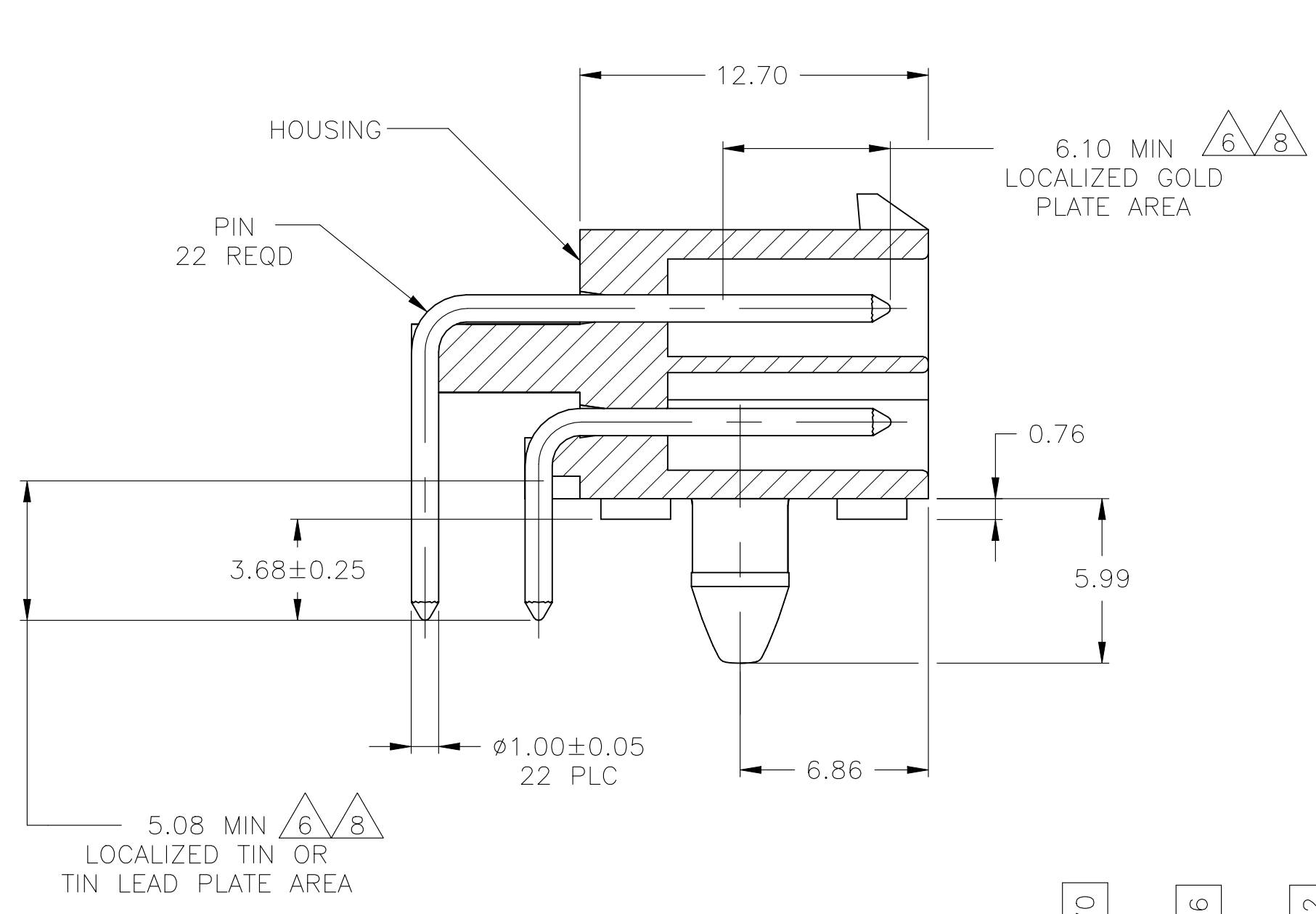


REVISIONS					
REV	DATE	DESCRIPTION	BY	CHK	APP'D
D	08MAY2024	REVISED PER ECR-24-206856	DK	JP	

- PINS TO COMPLY WITH AMP SOLDERABILITY SPEC 109-11-3.
- MATES WITH PLUG P/N 770586-1.
- COORDINATE DIMENSION APPLIES FROM CENTER OF ACTUAL FEATURE.
- RECOMMENDED FOR EDGE MOUNTING.
- 0.00381 MIN MATTE TIN LEAD PLATE OVER 0.00127 MIN NICKEL.
- 0.00076 MIN GOLD PLATE IN THE LOCALIZED GOLD PLATE AREA, 0.00381 MATTE TIN LEAD IN THE LOCALIZED PLATE AREA, BOTH OVER 0.00127 MIN NICKEL.
- 0.00381 MIN MATTE TIN PLATE OVER 0.00127 MIN NICKEL.
- 0.00076 MIN GOLD PLATE IN THE LOCALIZED GOLD PLATE AREA, 0.00381 MIN MATTE TIN IN THE LOCALIZED TIN PLATE AREA, BOTH OVER 0.00127 MIN NICKEL.



RECOMMENDED MOUNTING HOLE PATTERN FOR 1.57 THICK P.C. BOARD

MM	IN	MM	IN	MM	IN
1.00	.039	6.86	.270	-	-
0.76	.030	6.10	.240	47.12	1.855
0.25	.010	5.99	.236	20.70	.815
0.13	.005	5.33	.210	16.56	.652
0.08	.003	5.08	.200	12.70	.500
0.064	.0025	4.14	.163	12.42	.489
0.05	.002	3.86	.152	12.418	.4889
0.00381	0.00150	3.68	.145	9.80	.386
0.00127	0.00050	1.57	.062	8.28	.326
0.00076	0.00030	1.40	.055	7.34	.289

CONVERSION TABLE

BRASS	△8	NYLON, UL94V-0	WHITE	1-794107-1
BRASS	△7	NYLON, UL94V-0	WHITE	1-794107-0
OBSOLETE	GOLD △6	NYLON, UL94V-0	WHITE	-794107-2-
BRASS	TIN LEAD △5	NYLON, UL94V-0	WHITE	794107-1
MATERIAL	FINISH	MATERIAL	COLOR	PART NO
PIN		HOUSING		
THIS DRAWING IS A CONTROLLED DOCUMENT.		DIN K WHITAKER 02APR96 CHK R SWING 02APR96 AP'D R ORSTAD 02APR96 NAME: HEADER ASSEMBLY, RIGHT ANGLE, W/SHORT PEG, 22 CIRCUIT, MINI UNIVERSAL MATE-N-LOK(TM) PRODUCT SPEC: - APPLICATION SPEC: - ANGLE: - FINISH: -		
DIMENSIONS: mm		TOLERANCES UNLESS OTHERWISE SPECIFIED: 0 PLC ± - 1 PLC ± - 2 PLC ± 0.13 3 PLC ± - 4 PLC ± - ANGLES ± -		
MATERIAL: SEE TABLE		WEIGHT: 0.000000 SIZE: A1 CAGE CODE: 00779 DRAWING NO: 794107 CUSTOMER DRAWING: - SCALE: 5:1 SHEET: 1 of 1 REV: D		