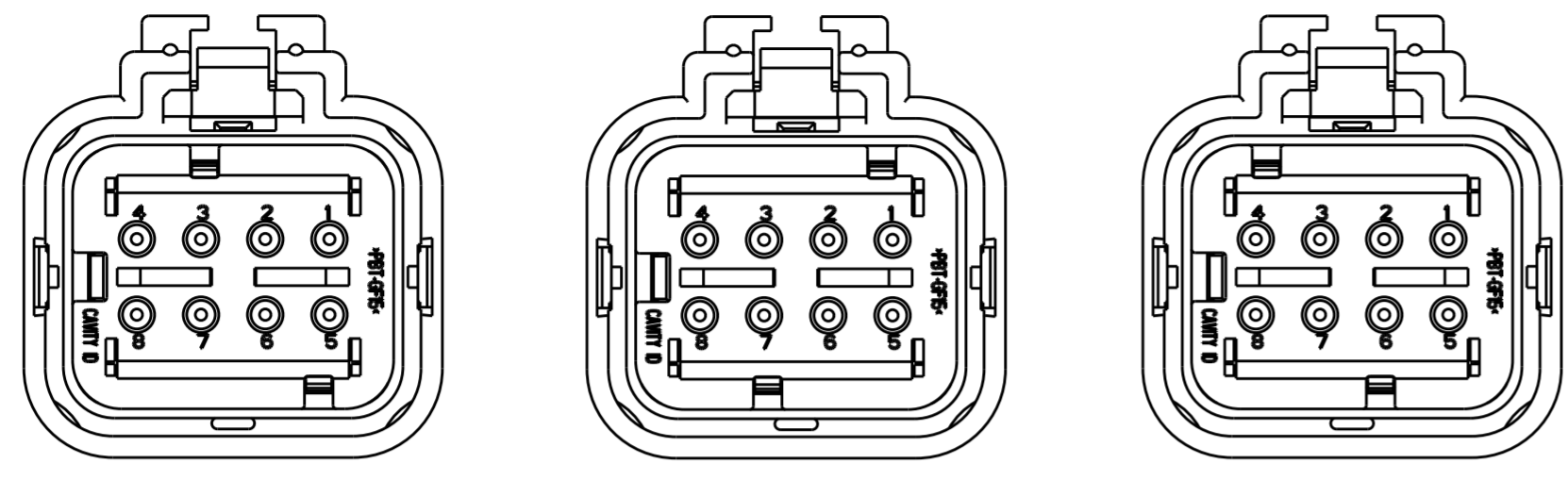


THIS DRAWING IS UNPUBLISHED. RELEASED FOR PUBLICATION 20
 © COPYRIGHT 20 BY - ALL RIGHTS RESERVED.

| REVISIONS | | | | |
|-----------|-----|---------------------------|-----------|--------|
| P | LTR | DESCRIPTION | DATE | APVD |
| D | I | REVISED PER ECO-11-005294 | 29APR2011 | RK HMR |
| E | | REVISED PER ECO-13-019231 | 09DEC2013 | DR RB |

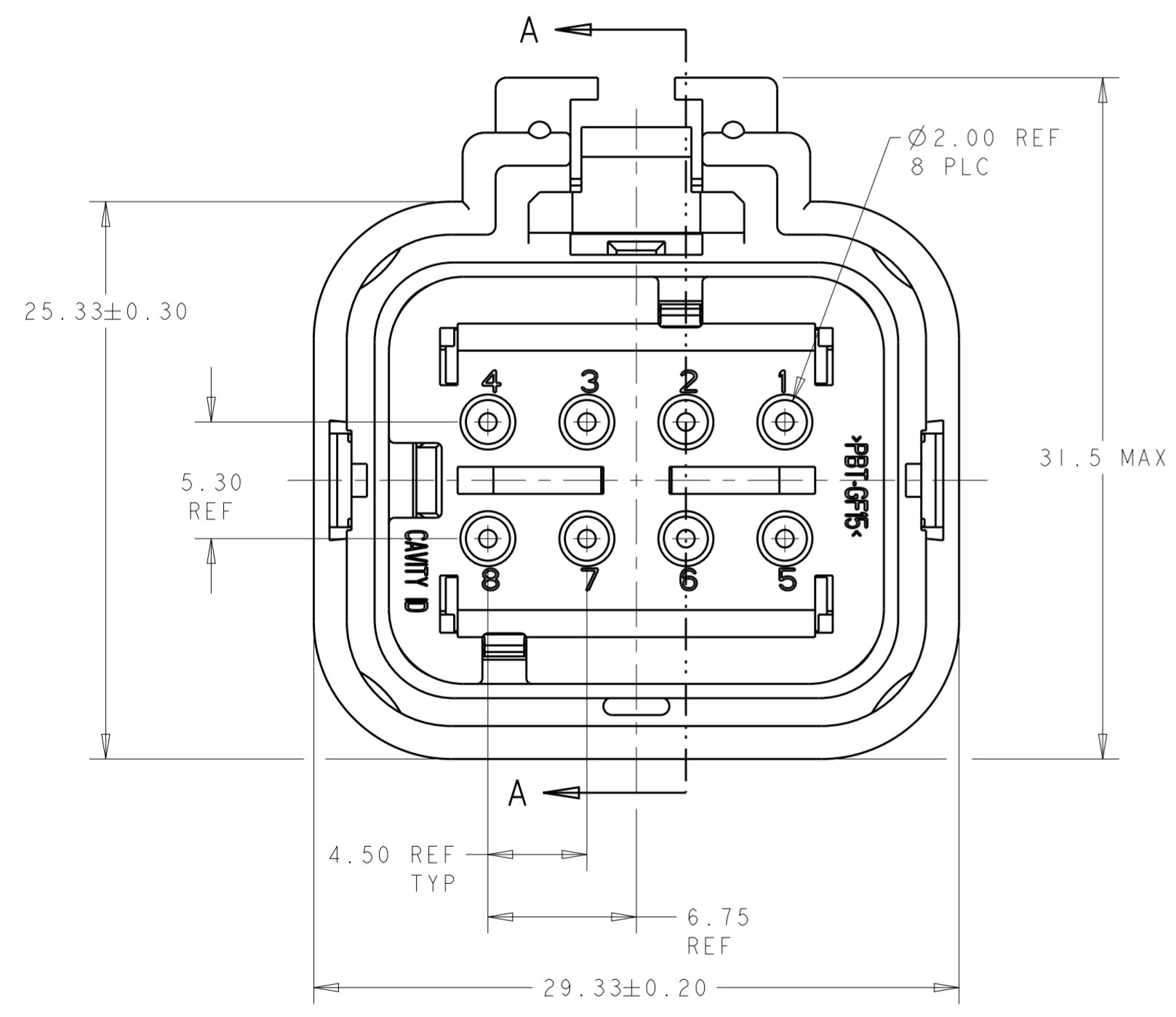


776532-2
(GRAY TPA)
SCALE 2:1

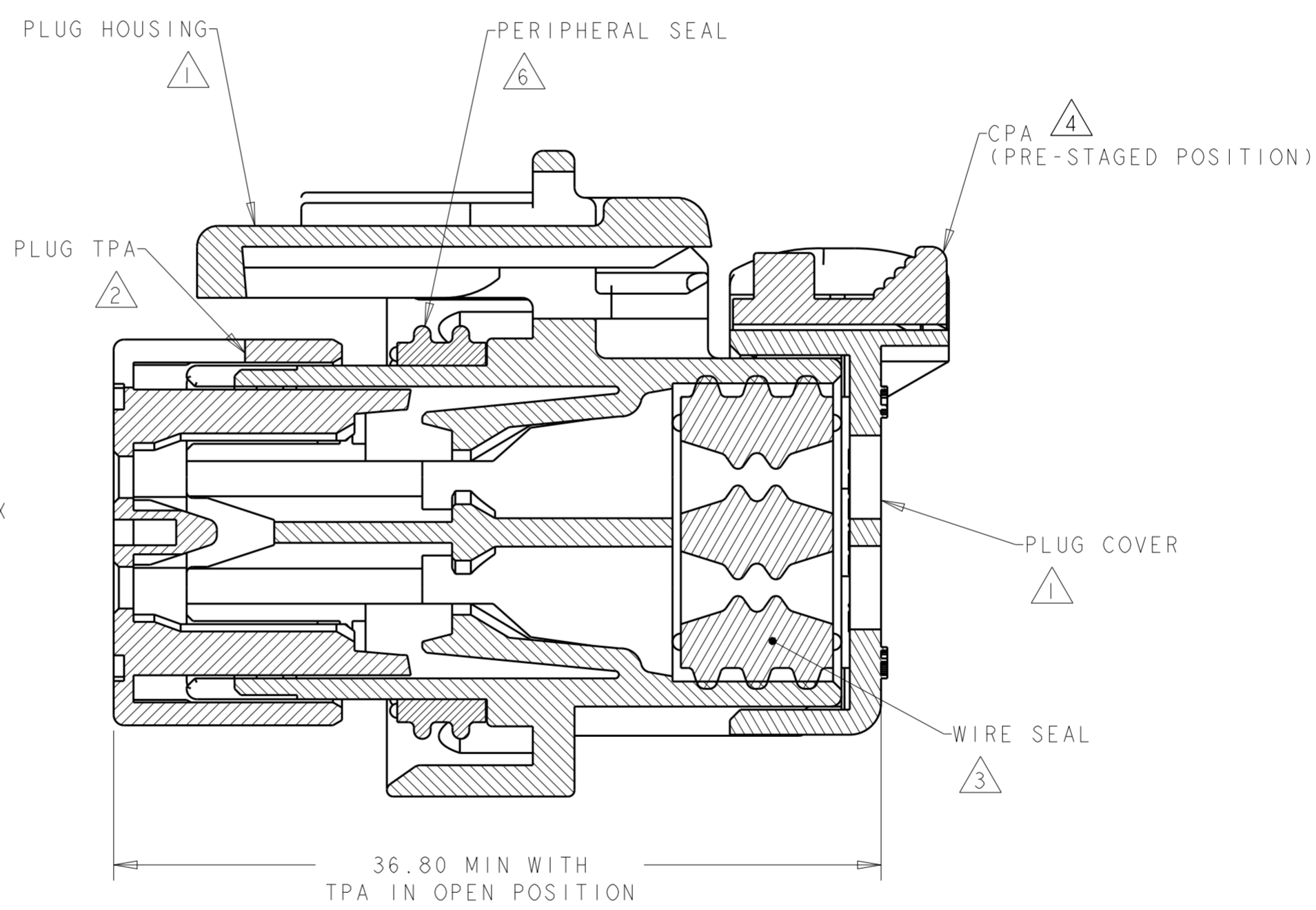
776532-3
(YELLOW TPA)
SCALE 2:1

776532-4
(GREEN TPA)
SCALE 2:1

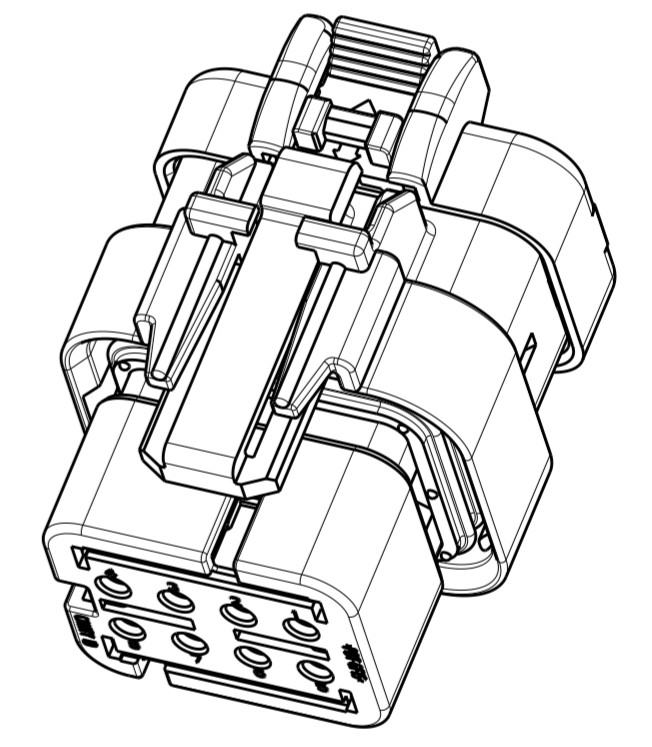
- ① MATERIAL: 15% GLASS FILLED THERMOPLASTIC
COLOR: BLACK
- ② MATERIAL: 15% GLASS FILLED THERMOPLASTIC
COLOR: (SEE TABLE)
- ③ MATERIAL: SILICONE
COLOR: RUST
- ④ MATERIAL: 15% GLASS FILLED THERMOPLASTIC
COLOR: RED
- 5. RECOMMENDED WIRE DIAMETER RANGE IS 1.30 TO 2.54mm.
- ⑥ MATERIAL: SILICONE
COLOR: TAN



776532-1 SHOWN



SECTION A-A



SCALE 2:1

| | |
|-----------|-------------|
| GREEN | 776532-4 |
| YELLOW | 776532-3 |
| GRAY | 776532-2 |
| RED | 776532-1 |
| TPA COLOR | PART NUMBER |

| | | | | |
|--|----------|--------------------------------|--|--------------------|
| THIS DRAWING IS A CONTROLLED DOCUMENT. | | DWN B. SIMPSON 05NOV2002 | TE Connectivity | |
| DIMENSIONS: mm | | CHK D. KLEIN 05NOV2002 | | |
| TOLERANCES UNLESS OTHERWISE SPECIFIED: | | APVD D. KLEIN 05NOV2002 | NAME PLUG ASSEMBLY, 8 POSITION, DUAL ROW, REDUCED DIA WIRE SEAL, AMPSEAL 16 | |
| 0 PLC ± | 1 PLC ± | PRODUCT SPEC 108-2184 | SIZE A2 | CAGE CODE - |
| 2 PLC ± | 3 PLC ± | APPLICATION SPEC 114-13065 | DRAWING NO G-776532 | RESTRICTED TO - |
| 4 PLC ± | ANGLES ± | WEIGHT 16±1g | SCALE 4:1 | SHEET OF |
| FINISH - | - | Customer Drawing | REV E | |