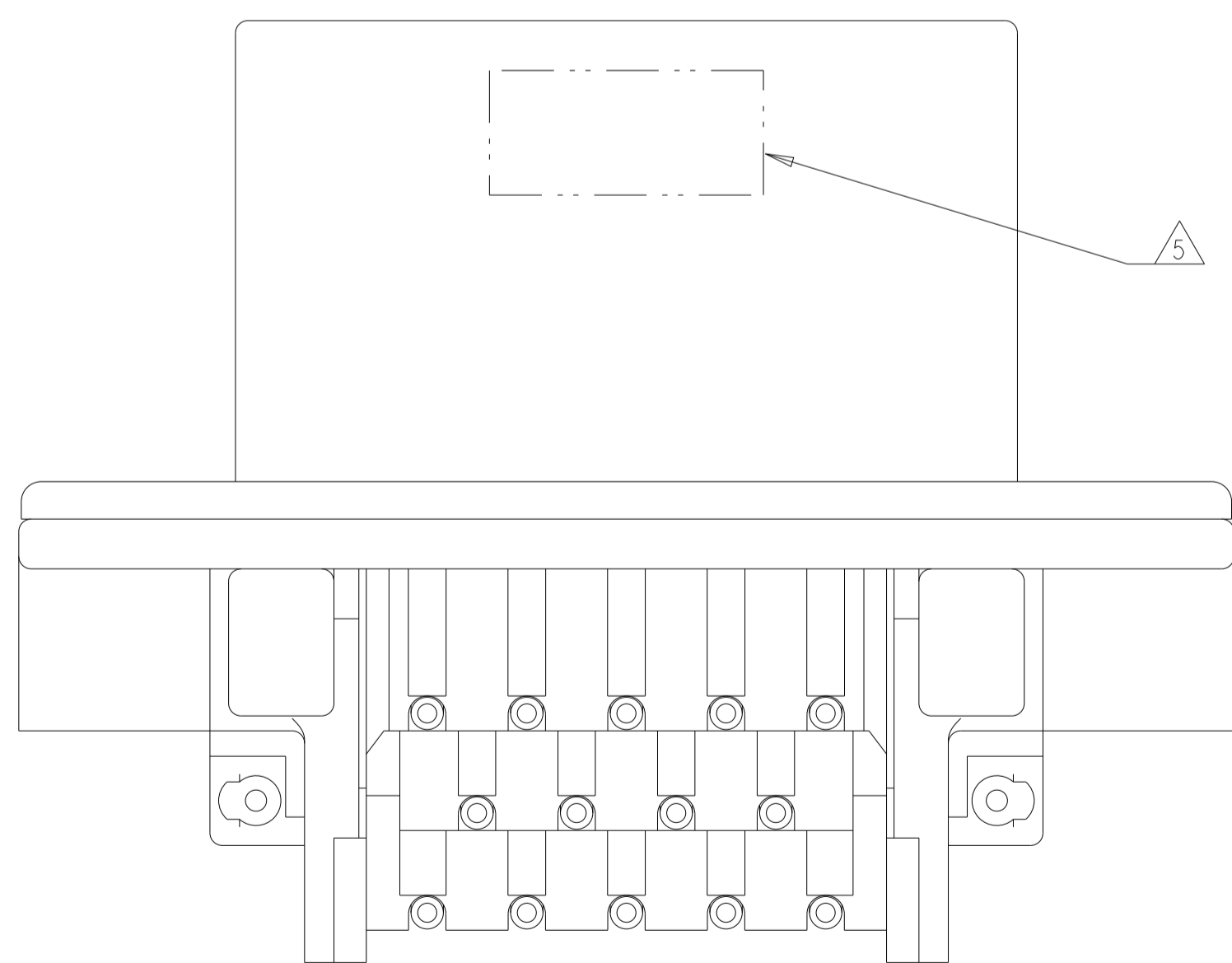
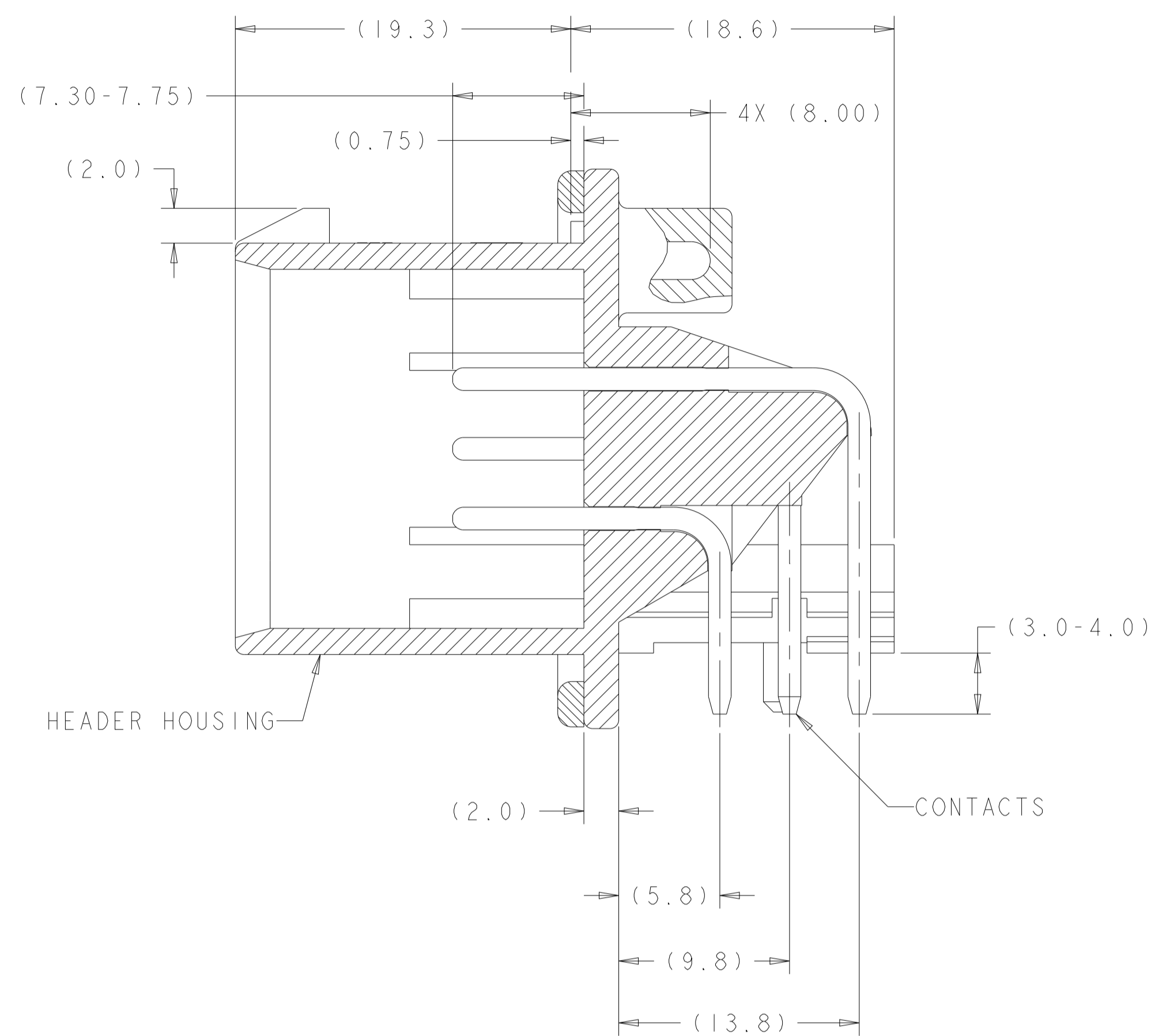
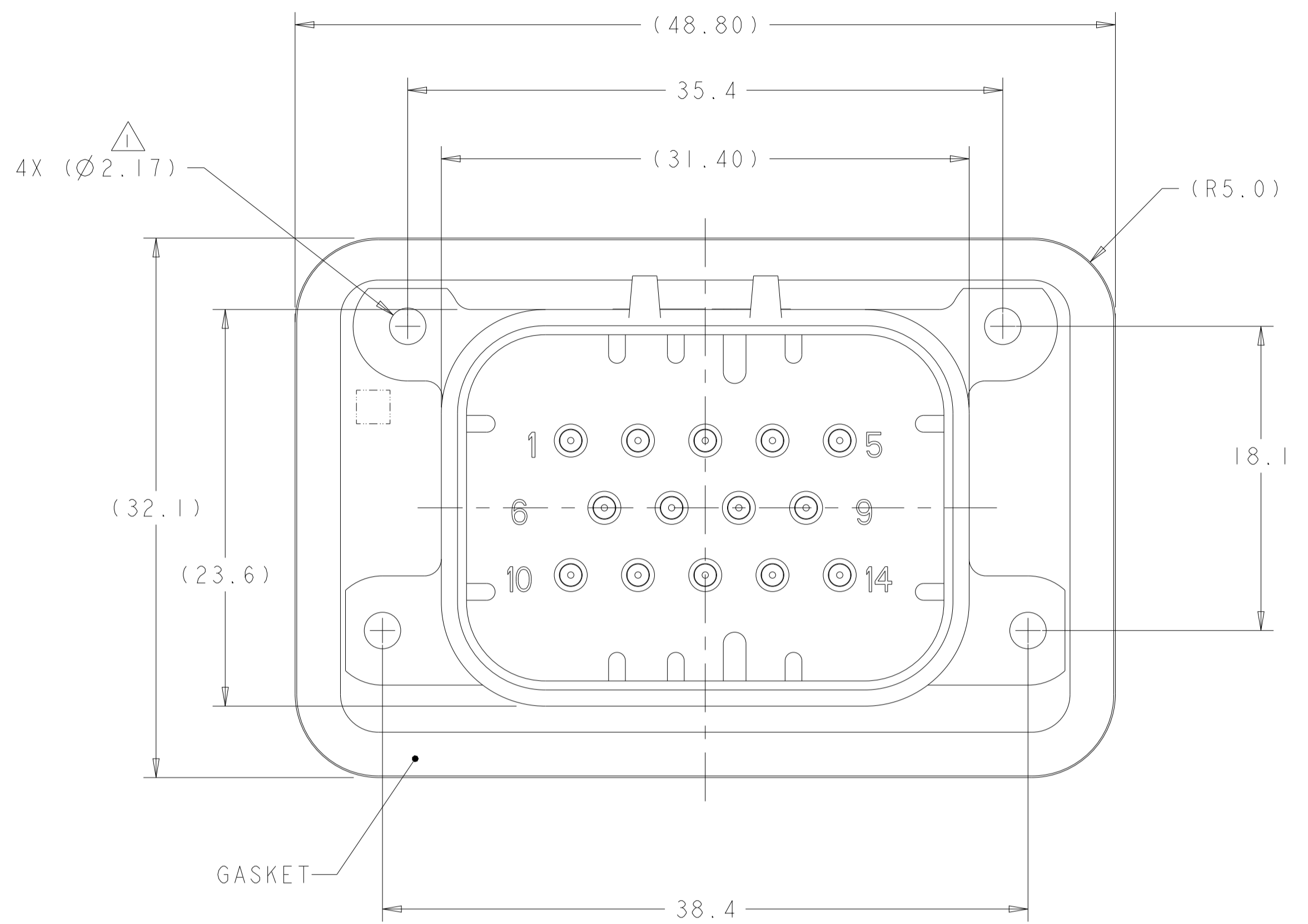


REVISIONS				
P	LTN	DESCRIPTION	DATE	APVD
B9		REVISED PER ECO-20-004256	25MAR2020	JM DS
B10		REVISED PER PCN E-20-016603	24NOV2020	PN DS
B11		REV PER ECO-21-001365	29JAN2021	DS DS
B12		REVISED PER ECR-24-216938	16SEP2024	DK CB



⚠ SUGGESTED MOUNTING SCREW SIZE IS $\varnothing 2.50\text{mm}$ [APPROX. 0.099 INCH] SELF TAPPING THREAD FORMING SCREW, SUCH AS DELTA PT, TO BE DRIVEN AT 0.6-0.8 N-m. THE CUSTOMER MUST TEST THE SCREW SIZE AND TYPE IN ORDER TO VERIFY THEIR SELECTION BEFORE USE IN APPLICATION

TO VALIDATE HEADER MOUNTING PERFORMANCE, TE CONNECTIVITY WILL CONTINUE TO UTILIZE THE FOLLOWING TORQUE VALIDATION PROCESS ACCORDING TO APPLICATION SPEC 114-16016:
 MOUNTING PANEL THICKNESS - 4.75 +/- 0.15mm
 SCREW - 2.5X12mm DELTA PT

CUSTOMERS MAY VALIDATE OTHER SCREW SIZES AND TYPES AT THEIR OWN DISCRETION

⚠ HOUSING COLORS ARE MECHANICALLY KEYED TO MATE ONLY WITH IDENTICALLY COLORED PLUG ASSEMBLIES.

3. HEADER MATES TO PLUG ASSEMBLY 776273 WHICH USES REELED TERMINAL 770520 OR LOOSE PIECE TERMINAL 770854

⚠ MATERIAL: GASKET - SILICONE
 HEADER HOUSING - GLASS FILLED PBT
 PINS - TIN OR GOLD PLATED BRASS

⚠ DATE CODE TO BE BRANDED ON THIS SURFACE PER TE SPEC 102-60. USE 5 DIGIT CODE: FIRST 2 DIGITS = YEAR, SECOND 2 DIGITS = WEEK, LAST DIGIT = DAY.

776267-1 & 1-776267-1 SHOWN

HEADER HOUSING COLOR	DESCRIPTION	PART NUMBER
BLUE	GOLD PLATED	1-776267-5
GRAY	GOLD PLATED	1-776267-4
NATURAL	GOLD PLATED	1-776267-2
BLACK	GOLD PLATED	1-776267-1
BLUE	TIN PLATED	776267-5
GRAY	TIN PLATED	776267-4
NATURAL	TIN PLATED	776267-2
BLACK	TIN PLATED	776267-1

THIS DRAWING IS A CONTROLLED DOCUMENT.

OWN: D. DRUMMOND 18AUG2010
 CHK: D. STRAUSSER 18AUG2010
 APVD: D. STRAUSSER 18AUG2010

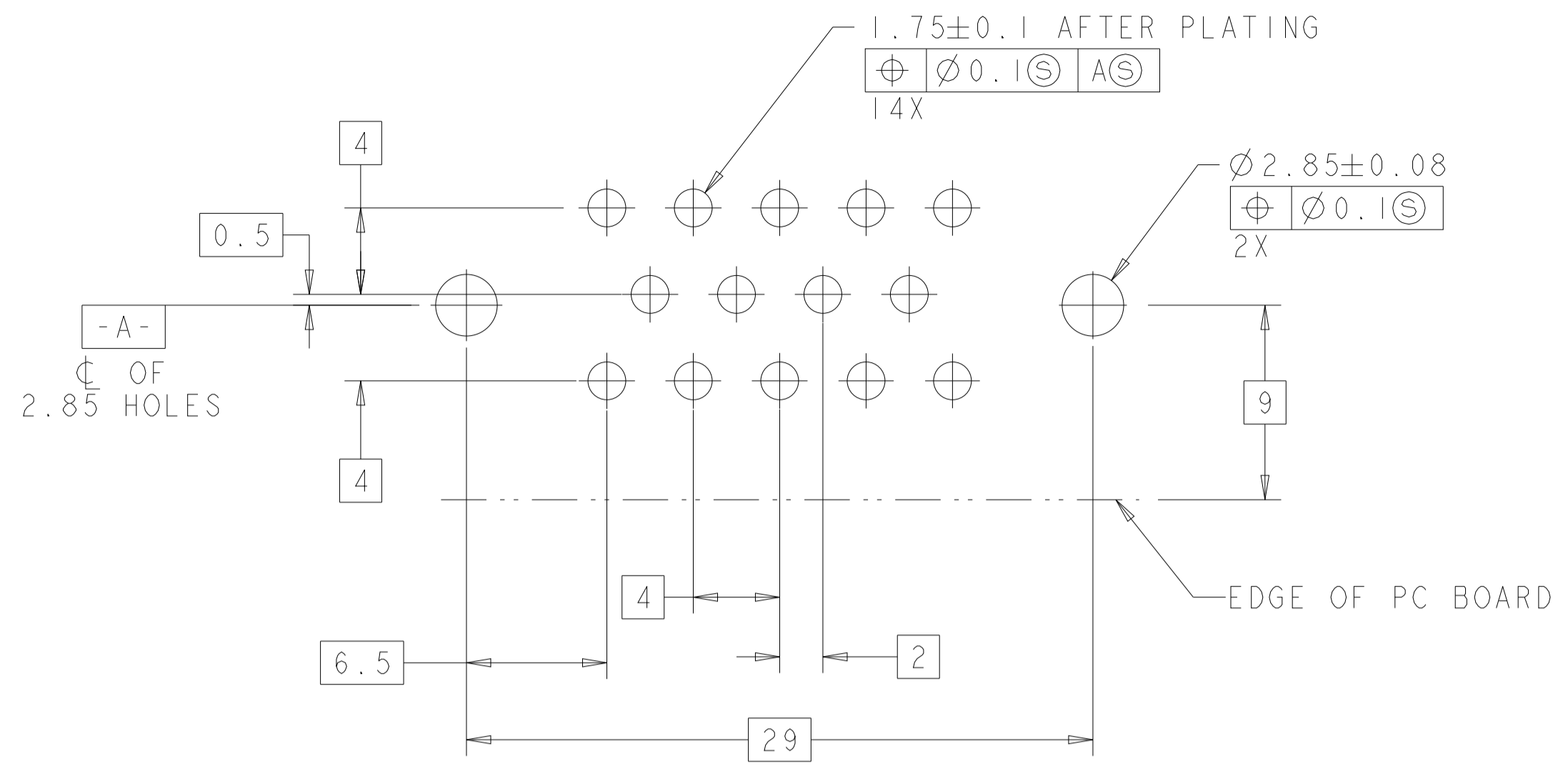
DIMENSIONS: mm
 TOLERANCES UNLESS OTHERWISE SPECIFIED:
 0 PLC ±0.2
 2 PLC ±0.13
 3 PLC ±0.13
 4 PLC ±0.13
 ANGLES ±5°
 FINISH

MATERIAL: 4

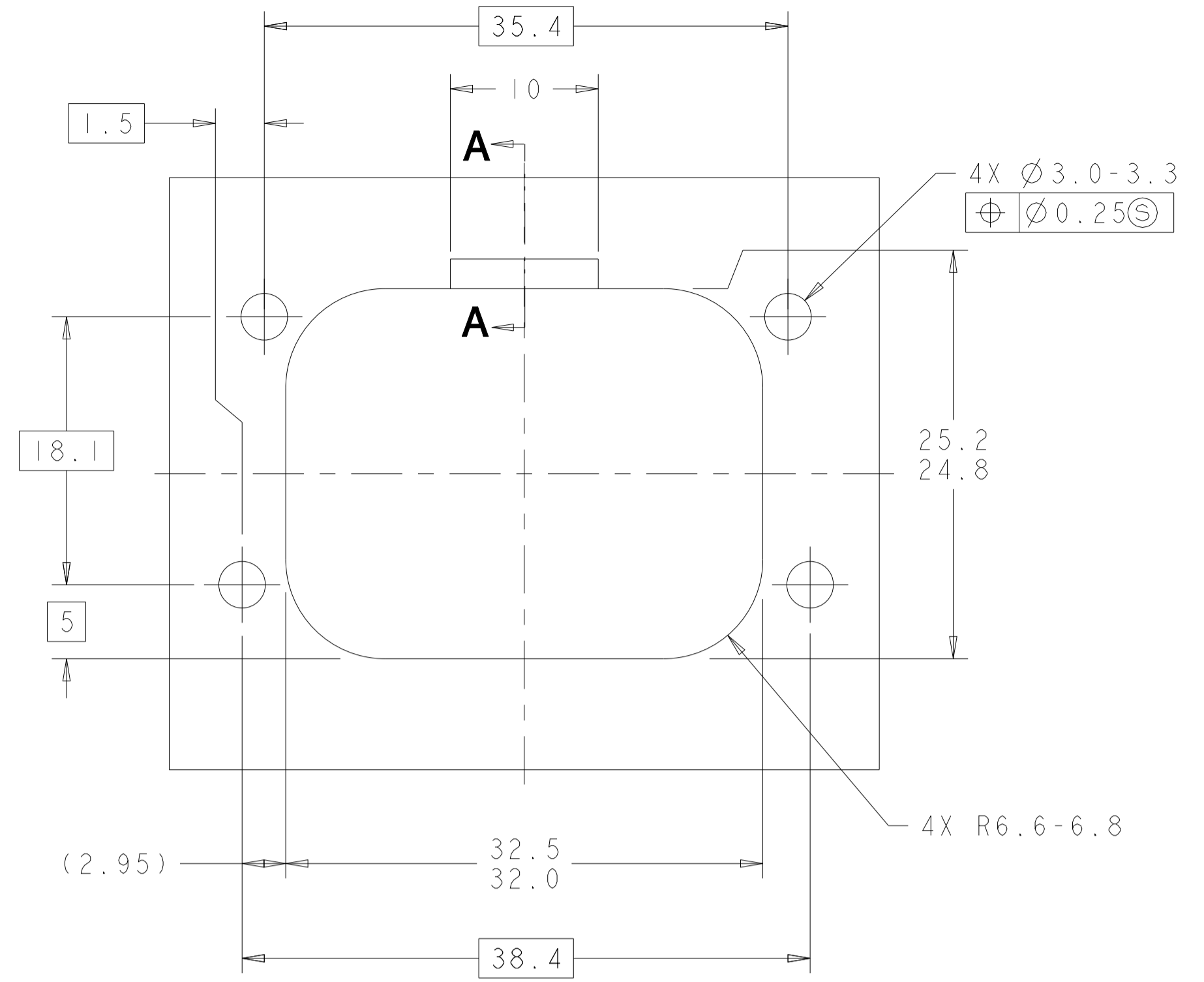
TE Connectivity
TE
 NAME: HEADER ASSEMBLY, 14 POSITION, RIGHT ANGLE, AMPSEAL
 PRODUCT SPEC: 108-1329
 APPLICATION SPEC: 114-16016
 SIZE: A100779 C=776267
 WEIGHT: 21.10g
 CUSTOMER DRAWING

RESTRICTED TO: -
 SCALE: 4:1
 SHEET: 1 OF 2
 REV: B12

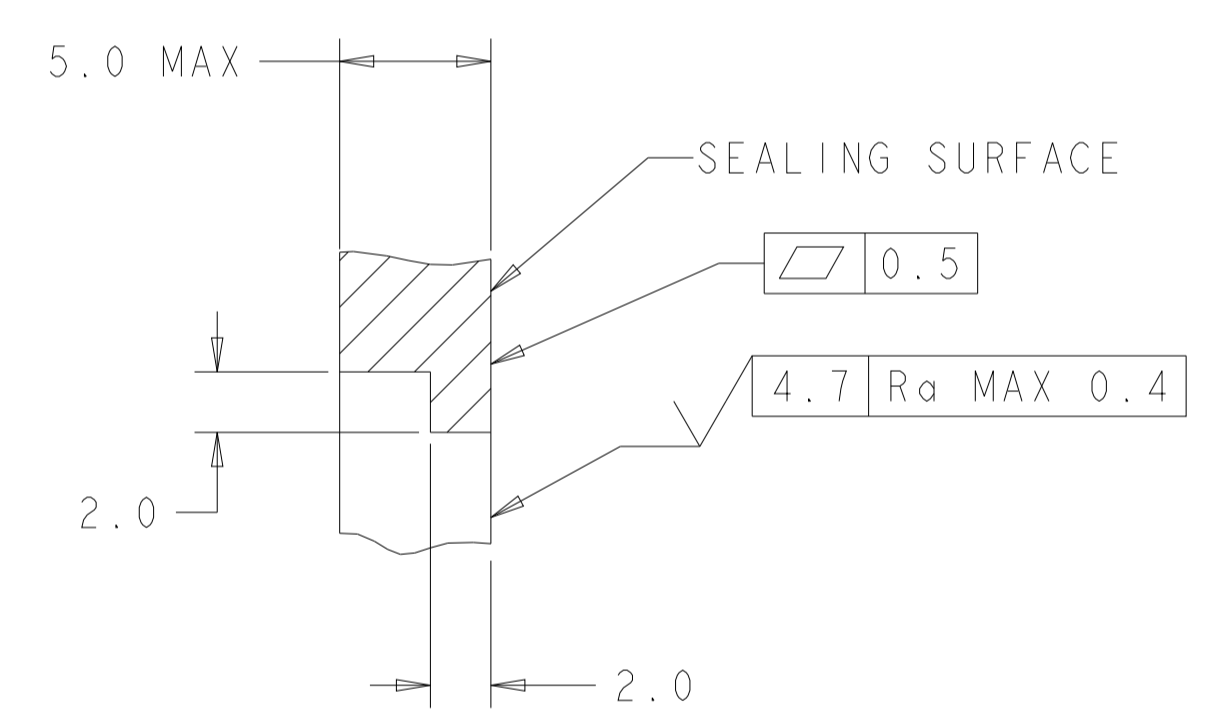
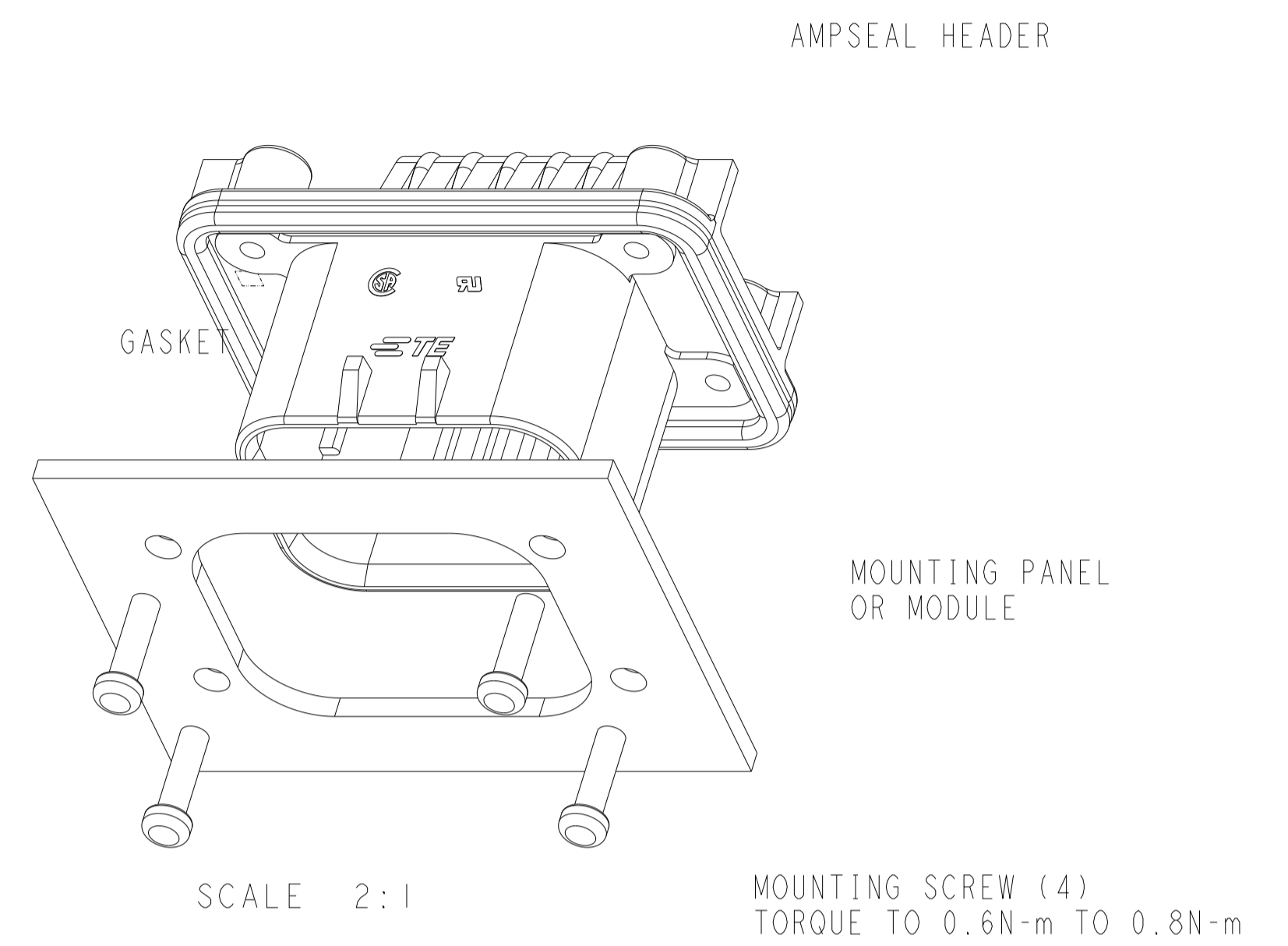
REVISIONS				
P.	LTN.	DESCRIPTION	DATE	APVD.
-	-	SEE SHEET 1	-	-



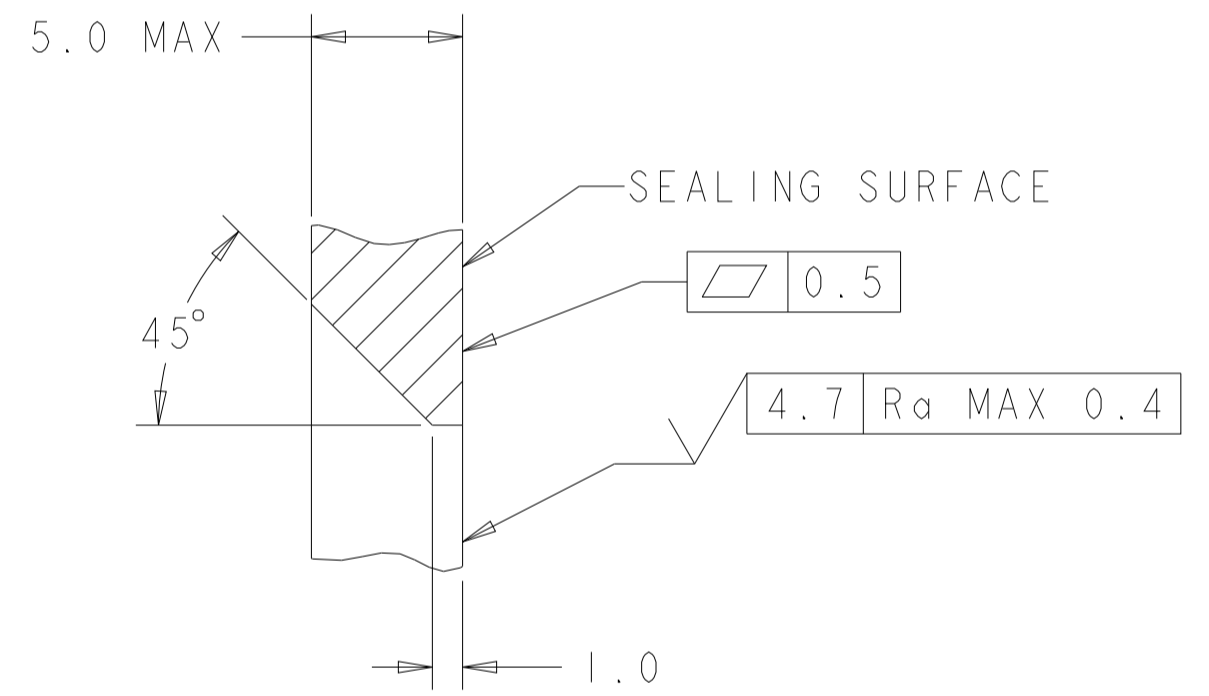
RECOMMENDED PC BOARD LAYOUT FOR 1.57 PC BOARD



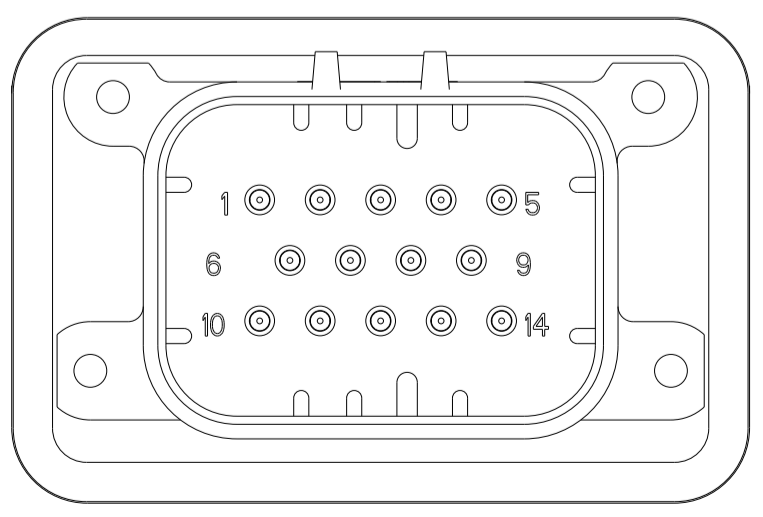
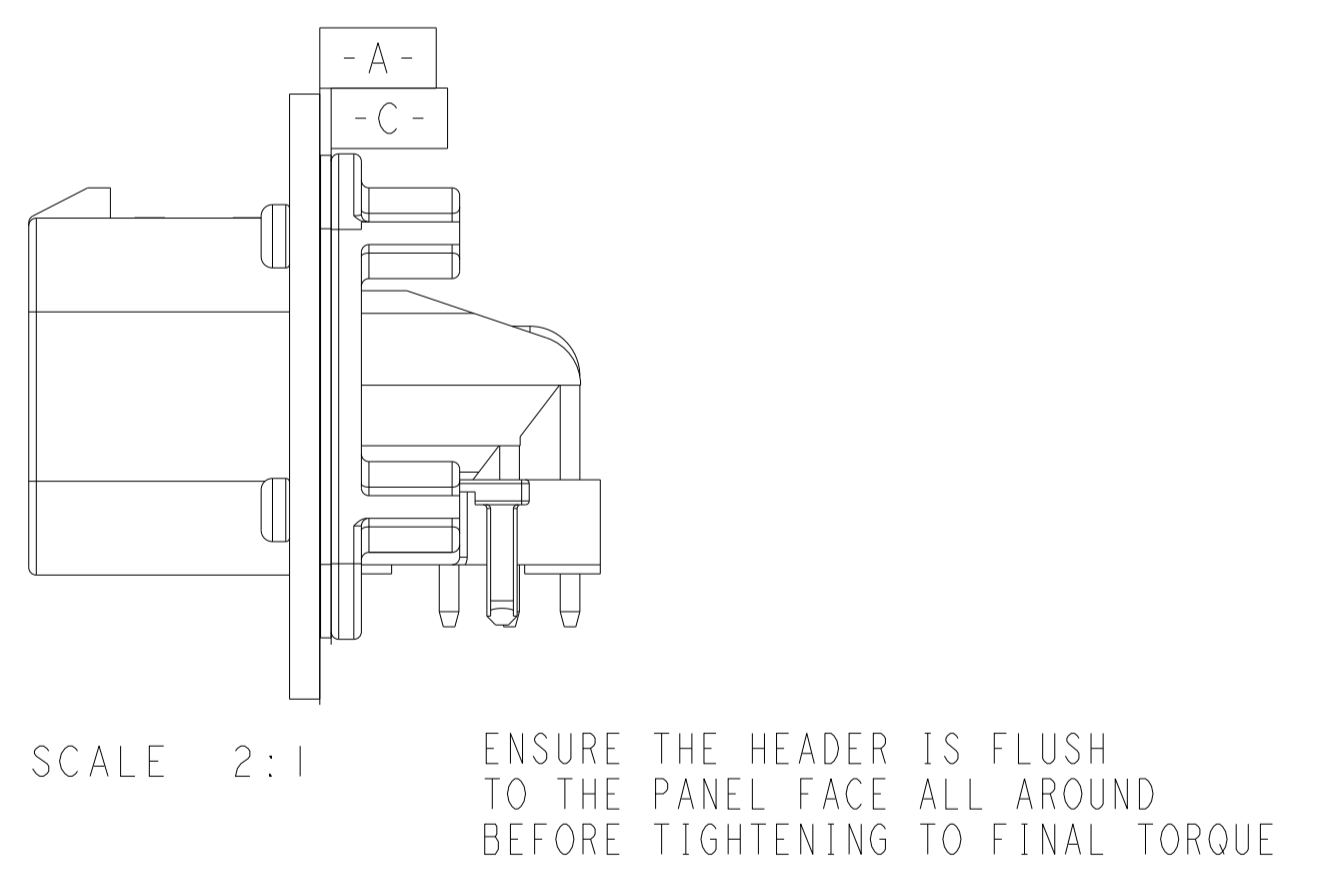
RECOMMENDED MOUNTING HOLE LAYOUT FOR 5.0 MAX THICK PANEL



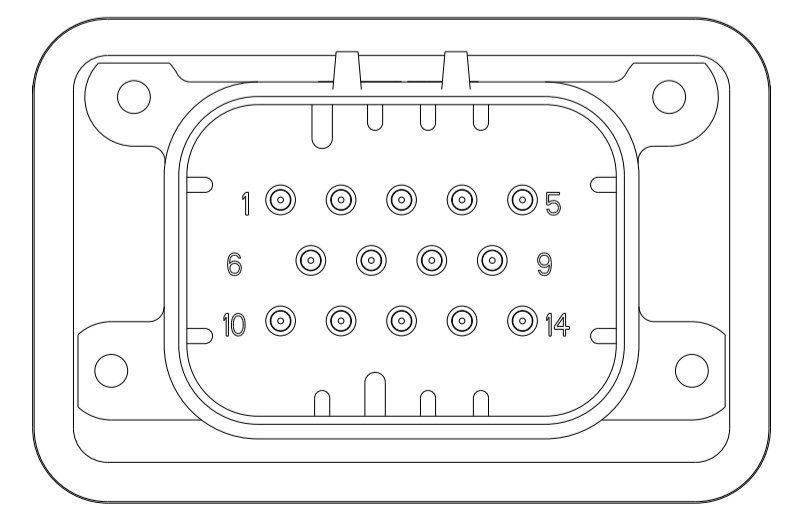
SECTION A-A
OPTIONAL CONSTRUCTION IF THICKNESS IS GREATER THEN 2.0



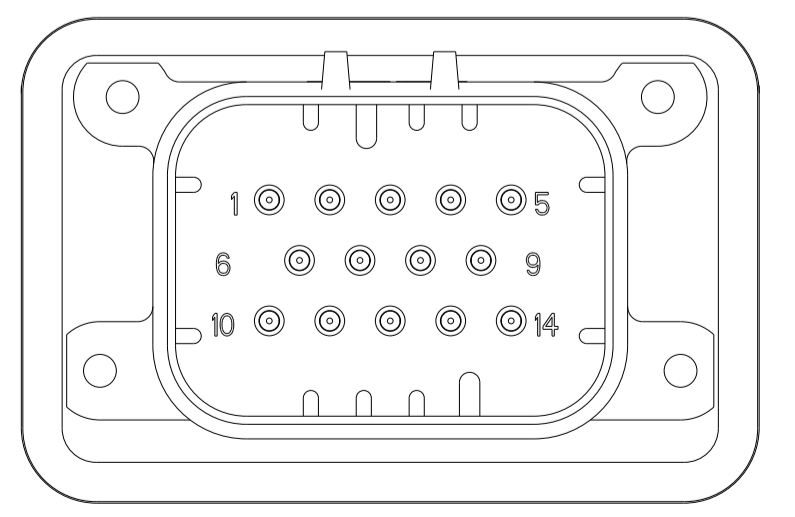
SECTION A-A
OPTIONAL CONSTRUCTION IF THICKNESS IS GREATER THEN 2.0



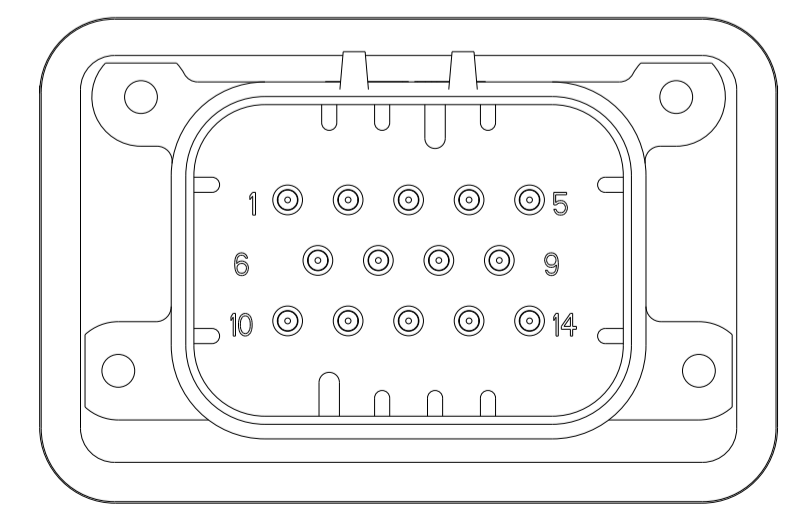
776267-1 & 1-776267-1
KEY LOCATION
SCALE 2:1



776267-2 & 1-776267-2
KEY LOCATION
SCALE 2:1



776267-4 & 1-776267-4
KEY LOCATION
SCALE 2:1



776267-5 & 1-776267-5
KEY LOCATION
SCALE 2:1

THIS DRAWING IS A CONTROLLED DOCUMENT.		OWN: D. DRUMMOND 18AUG2010	TE Connectivity	
DIMENSIONS: mm		CHK: D. STRAUSSER 18AUG2010	NAME: HEADER ASSEMBLY, 14 POSITION, RIGHT ANGLE, AMPSEAL	
TOLERANCES UNLESS OTHERWISE SPECIFIED:		APVD: D. STRAUSSER 18AUG2010	SIZE: CAGE CODE DRAWING NO. RESTRICTED TO	
0 PLC ±0.2		PRODUCT SPEC: 108-1329	A100779C=776267	
2 PLC ±0.13		APPLICATION SPEC: 114-16016	SCALE: 4:1 SHEET 2 OF 2	
4 PLC ±0.1		WEIGHT: 21.10	REV: B12	
ANGLES ±5°		CUSTOMER DRAWING		