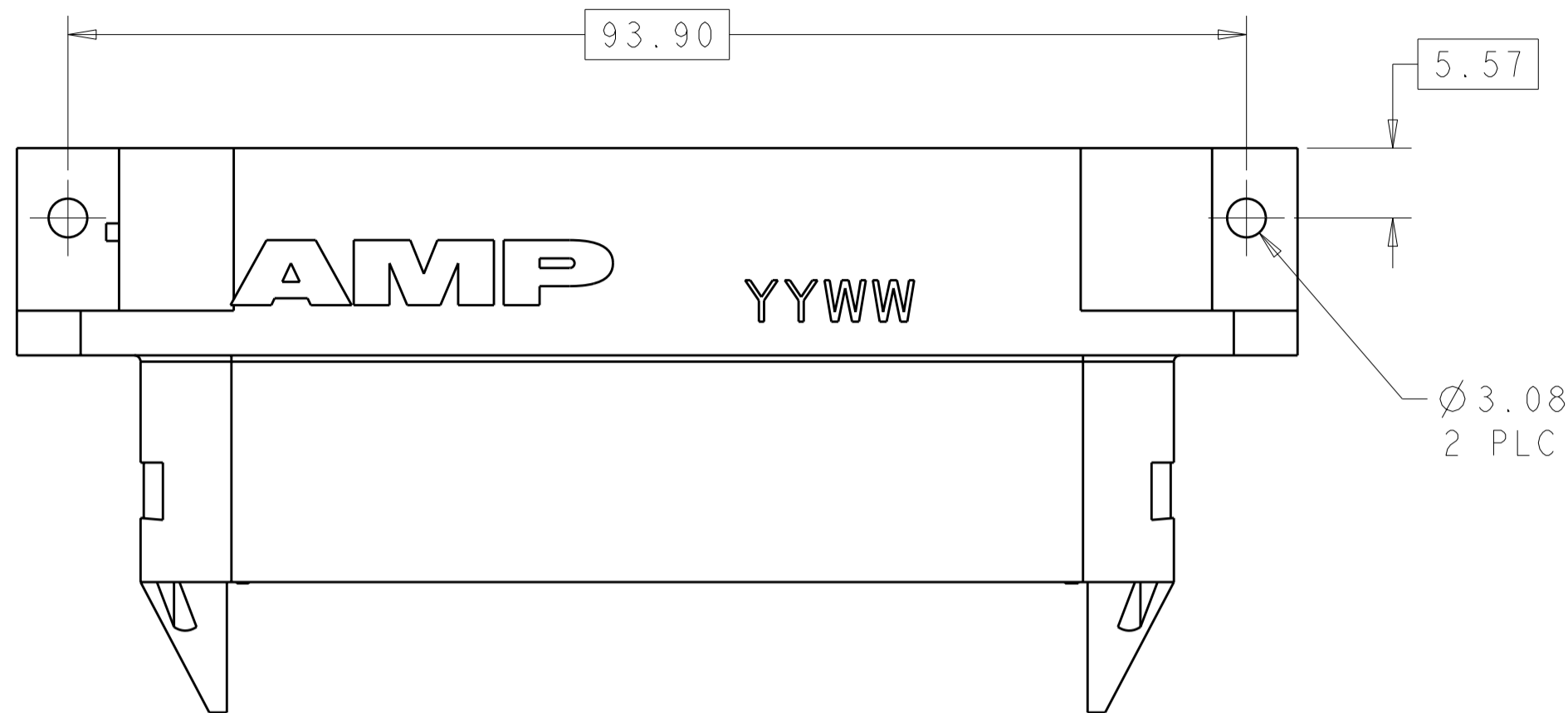


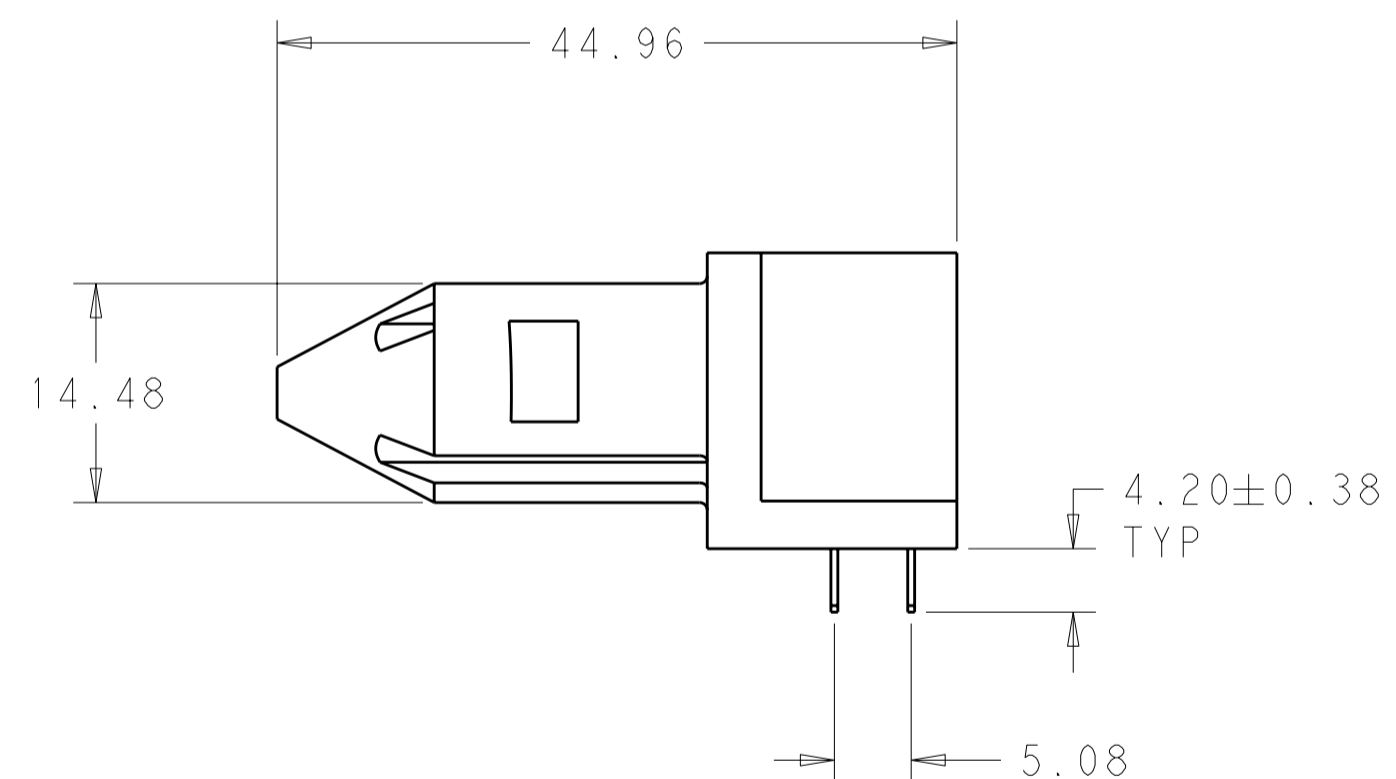
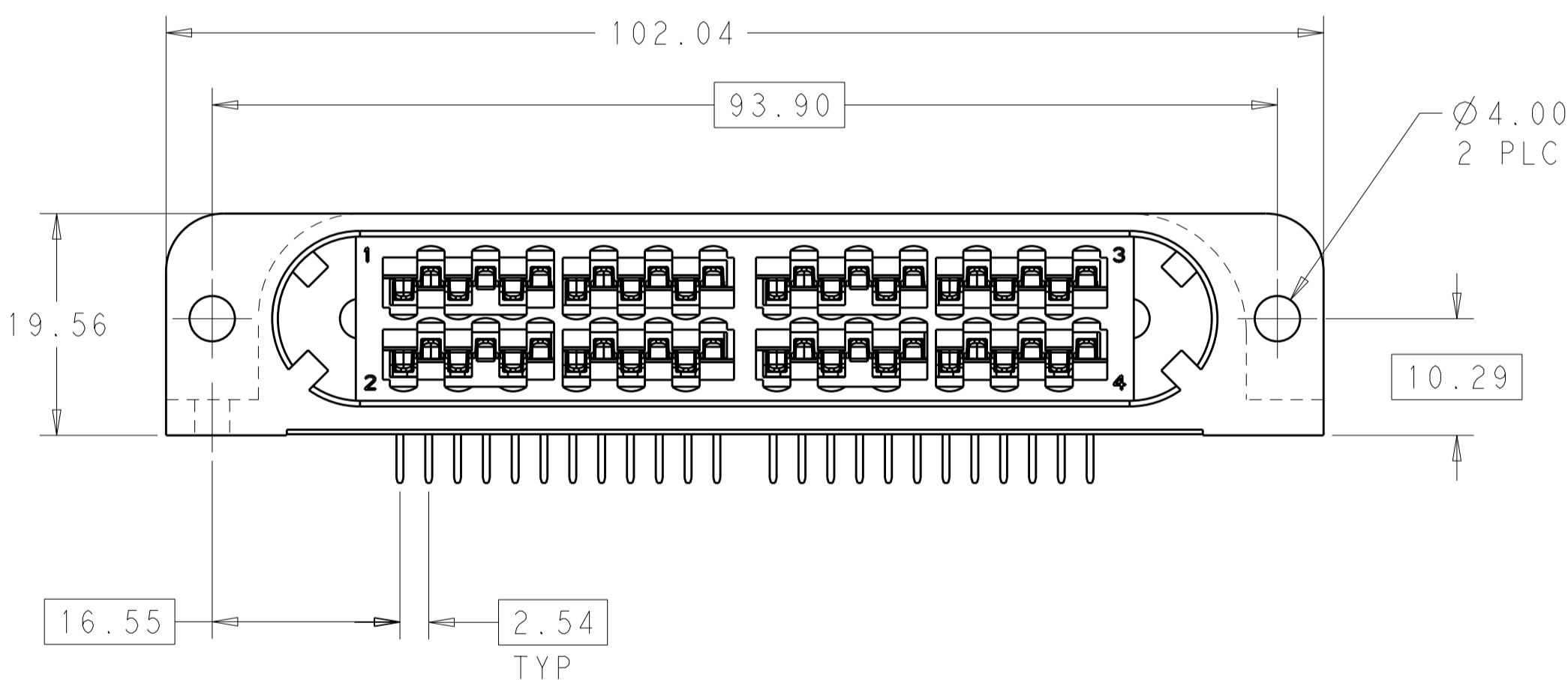
THIS DRAWING IS UNPUBLISHED. RELEASED FOR PUBLICATION 20
 © COPYRIGHT 20 BY TYCO ELECTRONICS CORPORATION. ALL INTERNATIONAL RIGHTS RESERVED.

LOC	DIST	REVISIONS					
GP	00	P	LTR	DESCRIPTION	DATE	DWN	APVD
		B		REV PER ECO-10-021237	19JAN2011	RG	MS



1 MATERIAL:
 HOUSING - THERMOPLASTIC, 94V-0
 CONTACTS - COPPER ALLOY

2 FINISH:
 CONTACTS - SILVER PLATE OVER NICKEL



766515-1
 PART NUMBER

1	X	LOADED	X	LOADED	3
2	LOADED	X	LOADED	X	4
POSN. NO.	A	B	A	B	POSN. NO.

HEADER CONTACT LOADING CONFIGURATION

THIS DRAWING IS A CONTROLLED DOCUMENT FOR TYCO ELECTRONICS CORPORATION. IT IS SUBJECT TO CHANGE AND THE CONTROLLING ENGINEERING ORGANIZATION SHOULD BE CONTACTED FOR THE LATEST REVISION.		DWN R. GRZYBOWSKI 19JAN2011	Tyco Electronics Corporation Harrisburg, PA 17105-3608	
DIMENSIONS: mm		CHK M. SYKES 19JAN2011	NAME AMPPOWER WAVE CRIMP SYSTEM EADER ASSEMBLY, RIGHT ANGLE SELF ALIGNING, 4 POSN	
TOLERANCES UNLESS OTHERWISE SPECIFIED: 0 PLC ± 1 PLC ± 2 PLC ±0.25 3 PLC ±0.13 4 PLC ± ANGLES ±		APVD M. SYKES 19JAN2011	PRODUCT SPEC 108-1319	
MATERIAL 1 - 2 -		APPLICATION SPEC 114-49005	RESTRICTED TO -	
FINISH 1 - 2 -		WEIGHT -	SIZE A200779	
CUSTOMER DRAWING		DRAWING NO. 766515		SCALE 2:1
		SHEET 1 OF 1		REV B