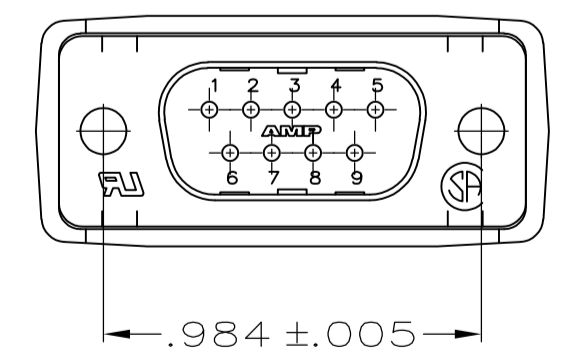
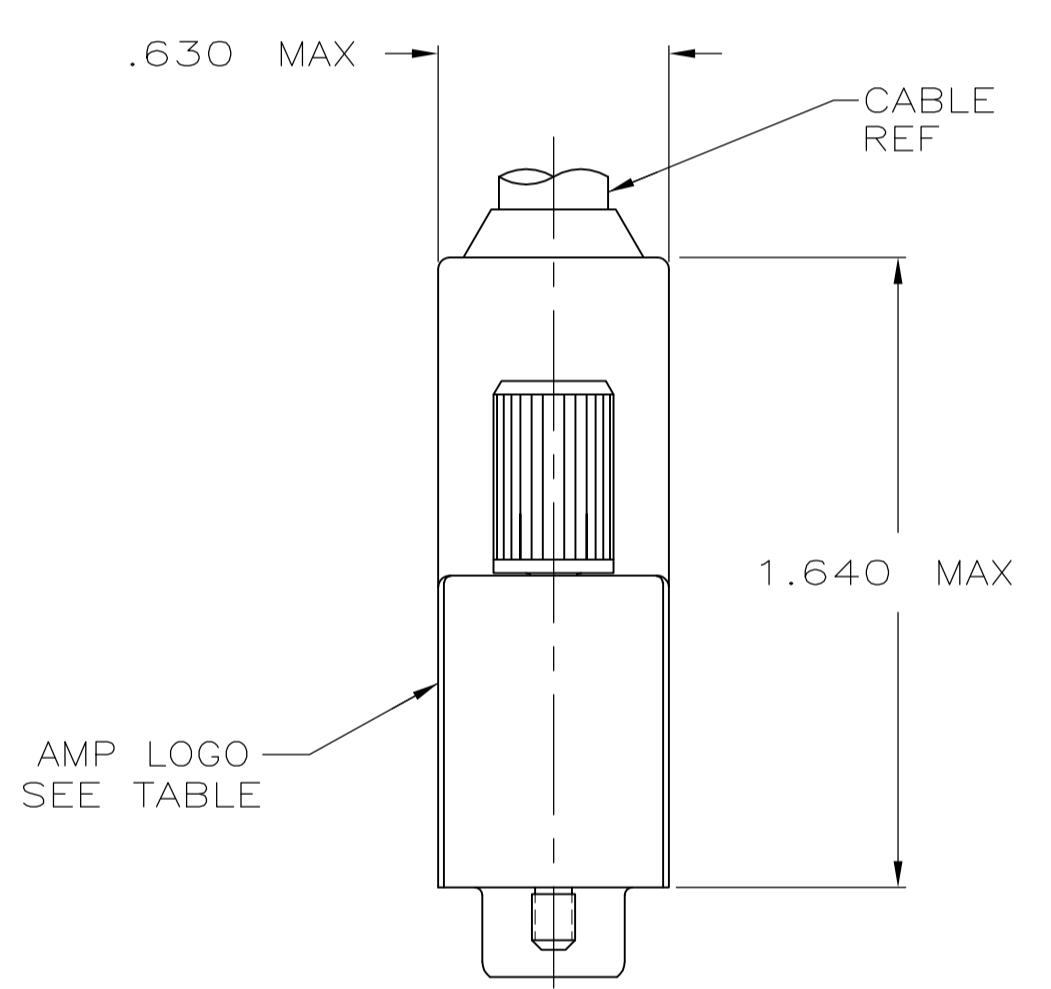
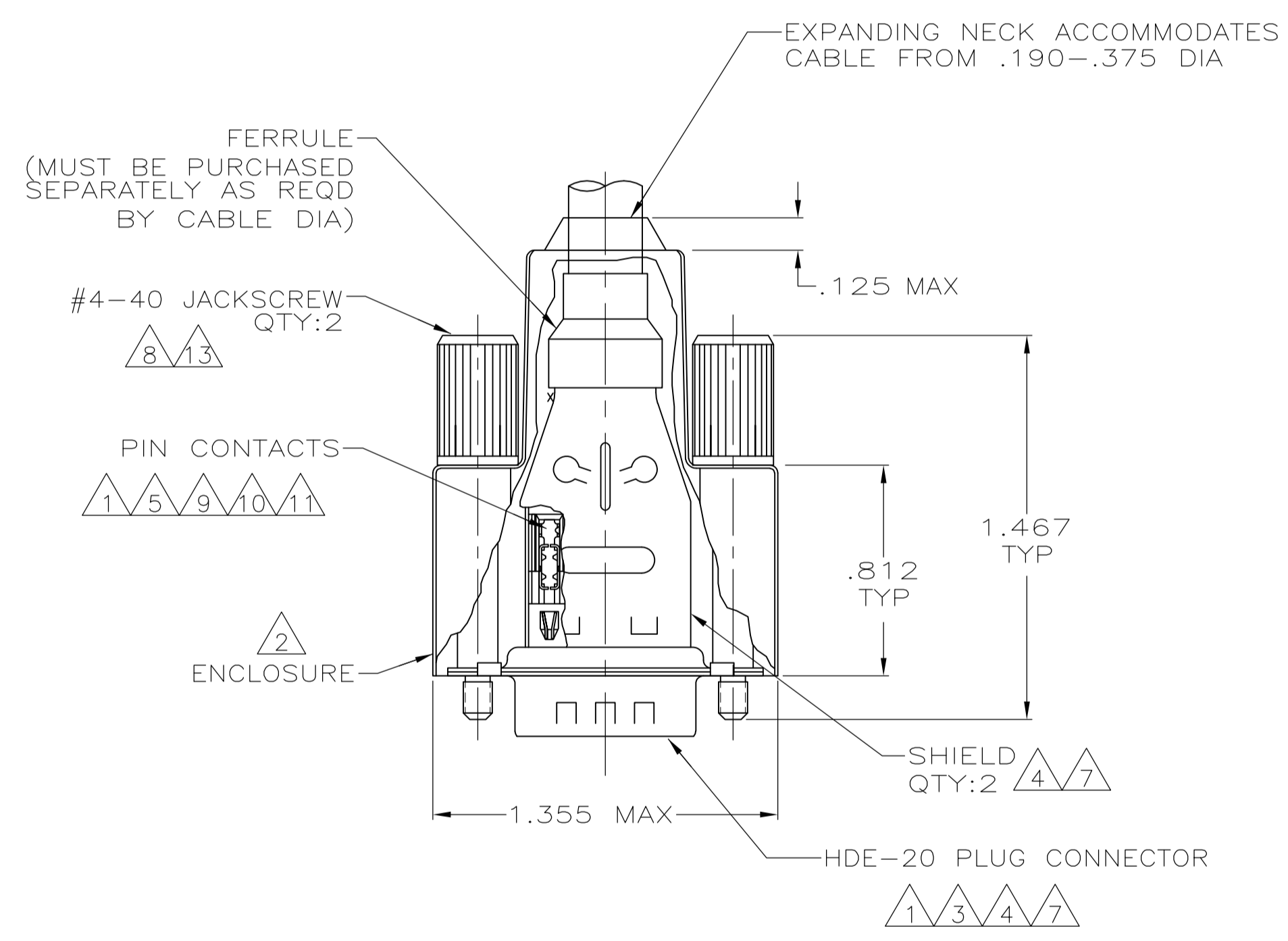


REVISIONS					
P	LTR	DESCRIPTION	DATE	DMN	APVD
AB	REVISED PER	ECO-17-002903	20MAR2017	AP	DG



- 1 PLUG CONNECTOR FULLY LOADED WITH CONTACTS. ALL OTHER PARTS ARE SHIPPED UNASSEMBLED. EACH PART INDIVIDUALLY BULK PACKED.
- 2 FLAME RETARDANT 94V-0 RATED, POLYOLEFIN OR PVC, BLACK.
- 3 FLAME RETARDANT 94V-0 RATED, GLASS-FILLED, NYLON OR POLYESTER, BLACK.
- 4 STEEL PER ASTM A109.
- 5 PHOSPHOR BRONZE PER QQ-B-750.
- 6 GOLD PLATING PER MIL-G-45204, NICKEL PLATING PER QQ-N-290, TIN PLATING PER MIL-T-10727, ZINC PLATING PER B633, TYPE II, CLASS SCI, BLACK CHROMATE.
- 7 TIN PLATED.
- 8 BLACK ZINC FLAKE COATING.
- 9 GOLD PLATED FOR LENGTH OF .150 MIN FROM MATING END, GOLD FLASH IN MATED AREA, .000100-.000200 TIN OR IN TIN-LEAD IN WIRE TERMINATION AREA, .000030 NICKEL UNDERPLATE ON ENTIRE CONTACT.
- 10 CONTACTS GOLD PLATED FOR A LENGTH OF .150 MIN FROM MATING END, .000030 MIN GOLD IN MATED AREA, .000100-.000200 BRIGHT TIN OR BRIGHT TIN-LEAD IN WIRE TERMINATION AREA, ALL OVER .000050 MIN NICKEL UNDERPLATE ON ENTIRE CONTACT.
OR
CONTACTS GOLD PLATED FOR A LENGTH OF .150 MIN FROM MATING END, GOLD FLASH OVER .000030 MIN PALLADIUM-NICKEL IN MATED AREA, .000100-.000200 BRIGHT TIN OR BRIGHT TIN-LEAD IN WIRE TERMINATION AREA, ALL OVER .000050 MIN NICKEL UNDERPLATE ON ENTIRE CONTACT.
- 11 NUMBER ON CONTACT INDICATES WIRE RANGE.
- 12 OBSOLETE PART NUMBER.
- 13 CARBON STEEL, C1022.
- 14 CONTACTS GOLD PLATED FOR A LENGTH OF .150 MIN FROM MATING END, .000030 MIN GOLD IN MATED AREA, .000100-.000200 MATTE TIN IN WIRE TERMINATION AREA, ALL OVER .000050 MIN NICKEL UNDERPLATE ON ENTIRE CONTACT.
OR
CONTACTS GOLD PLATED FOR A LENGTH OF .150 MIN FROM MATING END, GOLD FLASH OVER PALLADIUM-NICKEL, .000030 MIN TOTAL IN MATED AREA, .000100-.000200 MATTE TIN IN WIRE TERMINATION AREA, ALL OVER .000050 MIN NICKEL UNDERPLATE ON ENTIRE CONTACT.
- 15 CONTACTS PLATED GOLD FLASH FOR A LENGTH OF .150 MIN FROM MATING END, .000100-.000200 MATTE TIN IN WIRE TERMINATION AREA, ALL OVER .000030 MIN NICKEL UNDERPLATE ON ENTIRE CONTACT.

CONTACT FINISH	LOGO	WIRE RANGE	PART NUMBER
			9-747944-2
15	YES	2 22-26	1-747944-6
14	YES	2 22-26	1-747944-5
9	NO	3 20-22	1-747944-2
	NO	2 22-26	1-747944-1
	NO	1 26-30	1-747944-0
10	NO	3 20-22	747944-9
	NO	2 22-26	747944-8
	NO	1 26-30	747944-7
9	YES	3 20-22	747944-6
	YES	2 22-26	747944-5
	YES	1 26-30	747944-4
10	YES	3 20-22	747944-3
	YES	2 22-26	747944-2
	YES	1 26-30	747944-1

THIS DRAWING IS A CONTROLLED DOCUMENT.

DIMENSIONS: INCHES

TOLERANCES UNLESS OTHERWISE SPECIFIED:

0 PLC	± -
1 PLC	± -
2 PLC	± -
3 PLC	± .020
4 PLC	± -
ANGLES	± -

MATERIAL: 2 3 4 5 13

FINISH: 6 7 8

CONTACTS: SEE TABLE

THIS DRAWING IS A CONTROLLED DOCUMENT. DIN L VARELA -DOCK5 11-17-04. CHK J GERACE 11-17-04. APVD M WALMSLEY 11-17-04. NAME: SHIELDING ENCLOSURE KIT, PLUG, SIZE 1, 9 POSN, AMPLIMITE HDE-20. PRODUCT SPEC: 108-40011 & 108-40030. APPLICATION SPEC: 114-40002. WEIGHT: 0.000000. SIZE: A1. CAGE CODE: 00779. DRAWING NO: 747944. RESTRICTED TO: CUSTOMER DRAWING. SCALE: 4:1. SHEET: 1 OF 1. REV: AB.