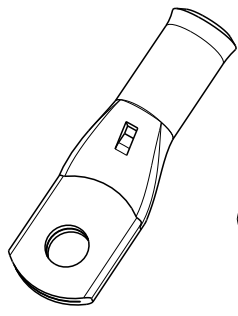
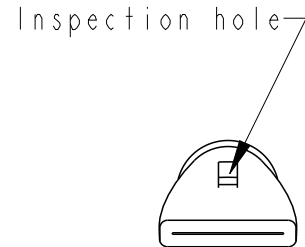
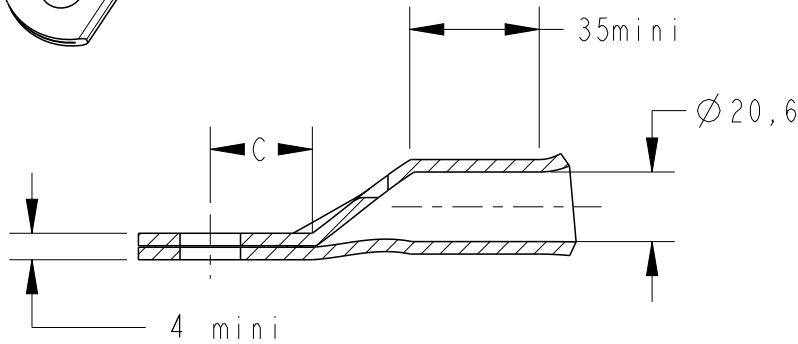


LOC	DIST	REVISIONS				
P	LTR REV	DESCRIPTION MODIFICATIONS	DATE	DWN DESS.	APVD APP.	
FH	00	E	MISE A JOURS / AJOUT NOTA	07DEC2009	BG GP	
		F	ECR-11-018538	07SEP2011	LP NA	
		G	ECR-13-003219	22-Feb-13	GC NA	

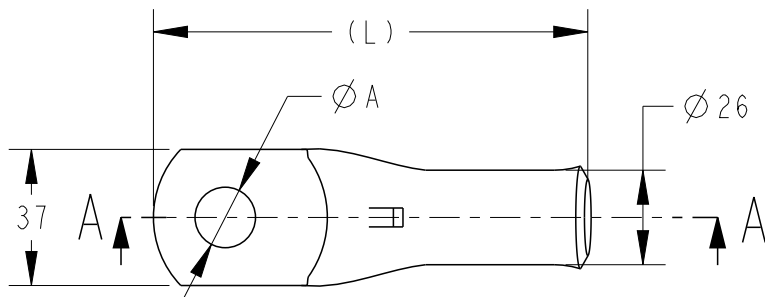


COUPE A-A



Ces produits répondent à la norme NFC 20-130.
 These products are NFC 20-130 compliant.

* Bornage hors norme / hole are not standard compliant



(L)	C	ØA	DESCRIPTION	PART NUMBER
98.5	19.3	12.8	XCT 240-12	1-709523-1
98,5	19,3	14,5	XCT 240-14	709823-3
98,5	19,3	16,5	XCT 240-16	709823-4
98.5	19.3	21	XCT 240-20	709823-5
98,5	19,3	*10.3	XCT 240-10	1-709823-1

- 1 - MATERIAL = TINNED COPPER
- 2 - Marking in depth: logo-section-hole-Made in France +
- 3 - CABLE SECTION = 450 MCM or 240 mm²
- 4 - GROOVE E240Cu OR DIE (Punch 17PC240+ Die 17M240)

TOLERANCES UNLESS OTHERWISE SPECIFIED: -
 TOLERANCES NON SPECIFIEES: -

DIMENSIONS: mm TOLERANCES UNLESS OTHERWISE SPECIFIED: TOLERANCES NON SPECIFIEES (SUIV NB DE DECIMALES): 0 PLC/DEC: ±0 1 PLC/DEC: ±0.1 2 PLC/DEC: ±0.2 3 PLC/DEC: ±0.3 4 PLC/DEC: ±0.4 ANGLES ±	DWN/DESSINE D. LEGUY 15DEC00	MATERIAL MATIERE CUIVRE	FINISH FINITION -
	CHK/VERIFIE E. DEREY APVD/APPROUVE N. ALMEIDA PRODUCT SPEC SPEC. PRODUIT APPLICATION SPEC SPEC. APPLICATION	NAME TITRE XCT 240-..	SIZE FORMAT A4
	WEIGHT MASSE APPROX. CUSTOMER DRAWING /PLAN CLIENT	DRAWING NO No PLAN C=709823	RESTRICTED TO RESERVE A -
UNIQUEMENT POUR REFERENCE		SCALE ECHELLE - / -	SHEET FEUILLE 1 OF DE 1 REV G

20

RELEASED FOR PUBLICATION
LIBRE A LA DIFFUSION

ALL RIGHTS RESERVED.
TOUS DROITS RESERVES.

THIS DRAWING IS UNPUBLISHED.
DIFFUSION RESTREINTE

© COPYRIGHT 20