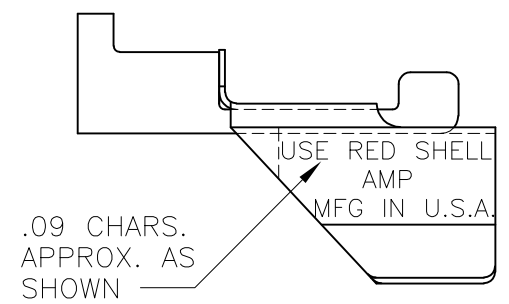
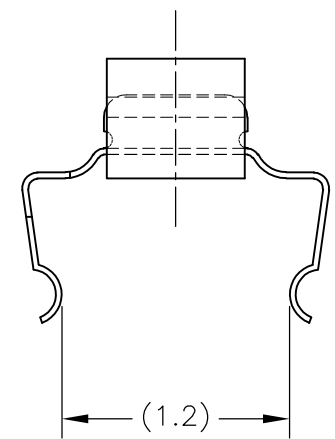
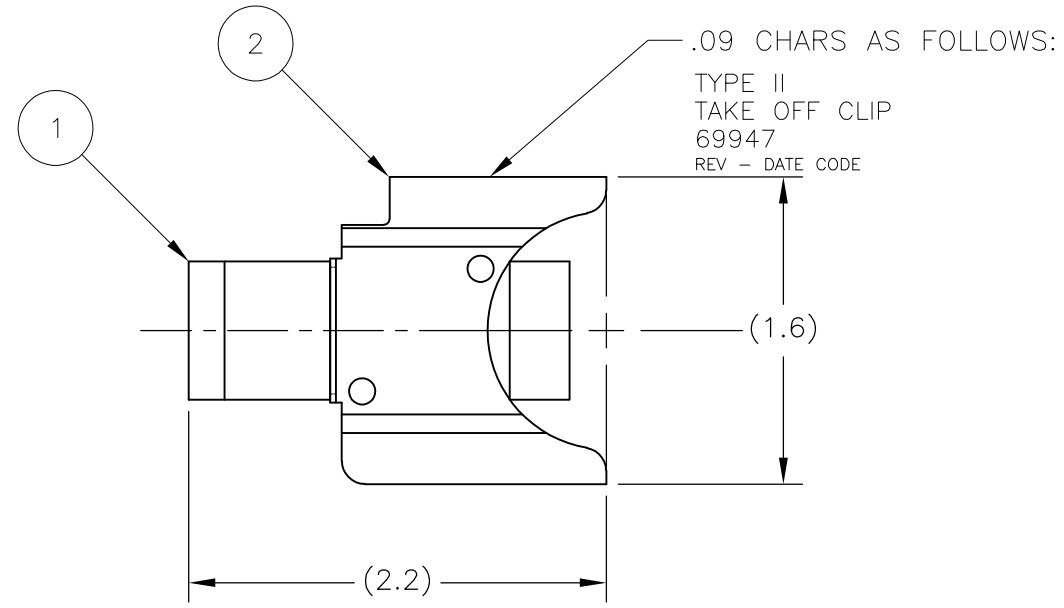


THIS DRAWING IS UNPUBLISHED. RELEASED FOR PUBLICATION
 © COPYRIGHT - BY TYCO ELECTRONICS CORPORATION. ALL RIGHTS RESERVED.

LOC	DIST	REVISIONS					
GA	1	P	LTR	DESCRIPTION	DATE	DWN	APVD
			B	LC20-0205-08 / ECO-08-023398	22SEP2008	DM	BJ



11223	69947
H.O. NO.	PART NO.

1	TAKE OFF CLIP	2
1	PUSHER, BLOCK	1
-	DESCRIPTION	ITEM NO
QTY	PARTS LIST	

THIS DRAWING IS A CONTROLLED DOCUMENT.		DWN	20JAN2007	Tyco Electronics Corporation Markham, ON L3R-1E1	
		CHK	29JAN2007		
		APVD	29JAN2007		
		NAME			
DIMENSIONS: INCHES 		TOLERANCES UNLESS OTHERWISE SPECIFIED: 0 P/Am ± 1 PLC ± 2 PLC ± 3 PLC ± 4 PLC ± ANGLES ±		TAKE OFF CLIP ASSEMBLY, WHITE TYPE II TAP	
MATERIAL		FINISH			
		PRODUCT SPEC			
		APPLICATION SPEC			
		WEIGHT			
		SIZE	CAGE CODE	DRAWING NO	RESTRICTED TO
		A3	00779	C-69947	-
		CUSTOMER DRAWING		SCALE	SHEET
				NTS	1 OF 1
				REV	B