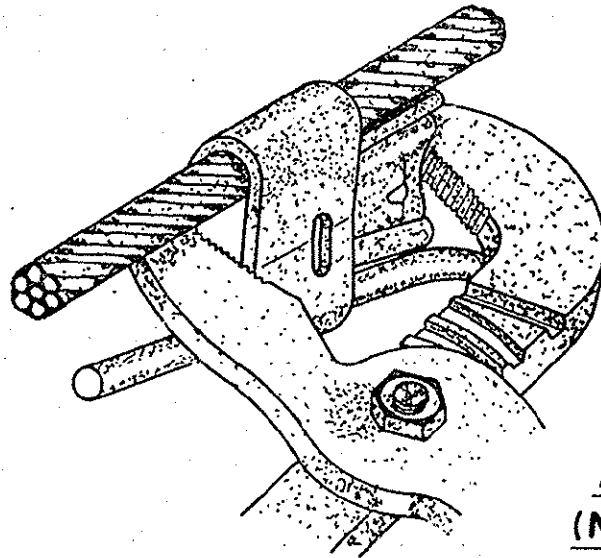
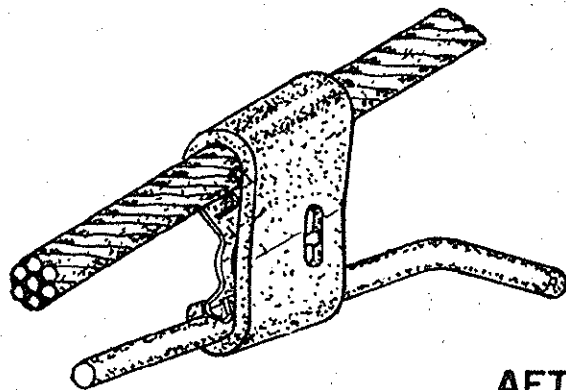


BEFORE APPLICATION

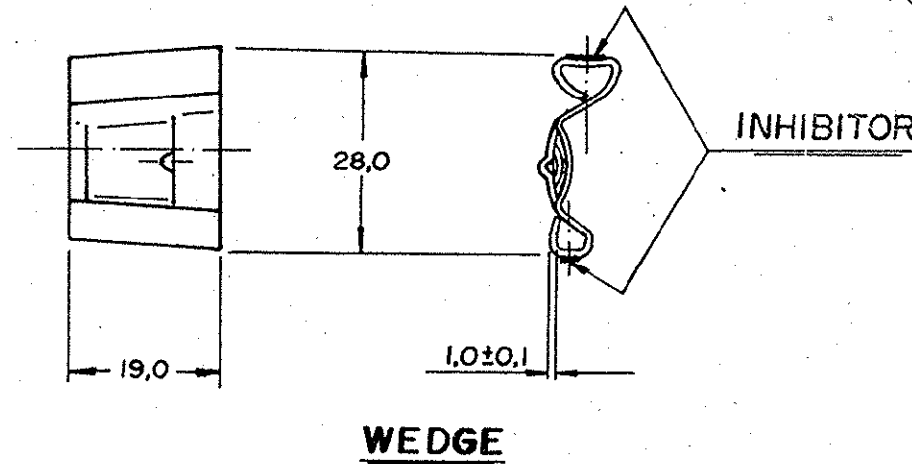
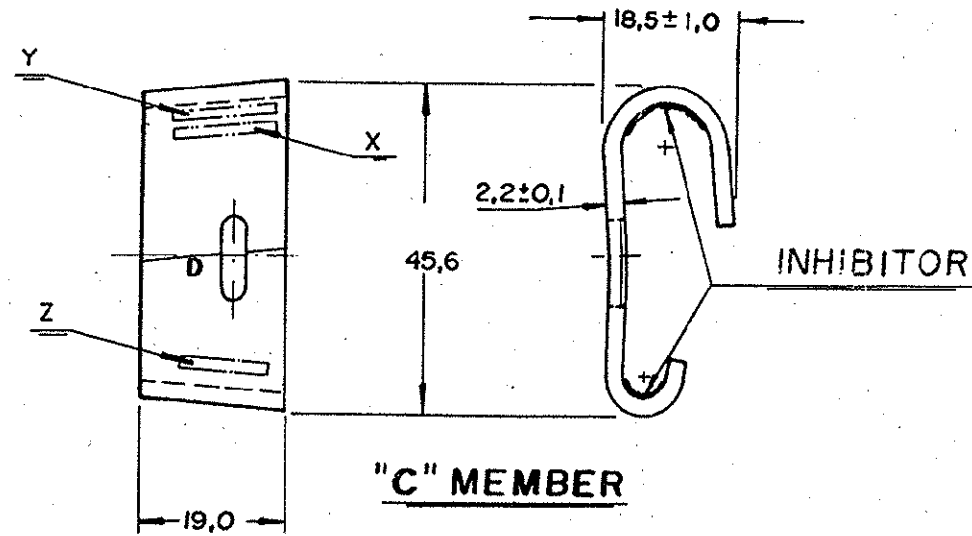


APPLICATION (NO SPECIAL TOOLS)



AFTER APPLICATION

DWG NO.		DO NOT SCALE		METRIC		3rd ANGLE PROJECTION	
		DIMENSIONS IN mm.					
REQ. PER ASSY	ITEM	DESCRIPTION	MATERIAL	FINISH			



- ① - SUPPLIED IN INDIVIDUAL PLASTIC PACKAGING
- ② - SPECIFIC PLASTIC PACKAGING FOR EXTERNAL CUSTOMER

14,75	17,00	9,50	12,74	1,74	5,10	TIN PLATED	BRASS	①	4-6-10	70-95	688 287-2
SUM	TOP GROOVE	BOTTOM GROOVE	FINISH		MATERIAL	PACKAGING	"Z"	"Y"	PART NUMBER "X"		
WIRE DIAMETER		LIMITS									
CUSTOMER DWG for REFERENCE ONLY											
THIS DRAWING IS UNPUBLISHED. RELEASED FOR PUBLICATION © COPYRIGHT 19 BY AMP DO BRASIL LTDA S.P. ALL INTERNATIONAL RIGHTS RESERVED AMP PRODUCTS MAY BE COVERED BY U.S. AND FOREIGN PATENTS AND/OR PATENTS PENDING.											
TOLERANCES UNLESS OTHERWISE STATED						INS. DIA. RANGE		WIRE RANGE		SCALE	
DEC. ± 0,5						—		—		—	
ANGLES ± 1°											
DR. ELOPES Edne 08 JUN 95						AMP do BRASIL LTDA. São Paulo, Brasil					
CHK. J.A.VIEIRA 08 Jun 95						DESCRIPTION UNIVERSAL DISTRIBUTION CONNECTOR, ASSY TYPE "D"					
S REVISED BY EC. LB. 0133/02 - G.D. 15 JUN 95						A3 DWG NO. C 688 287 SHEET 1 OF 1					
R REVISED BY EC. LB. 0580/95 - WALTER 14 DEC 95											
P REDRAWN WITH CHANGE BY EC. LB. 0232/95 Edne 08 JUN 95											
ISS	REVISION	RECORD	ECH	OR	DATE	APP. E.SFEIR 12 JUN 95					