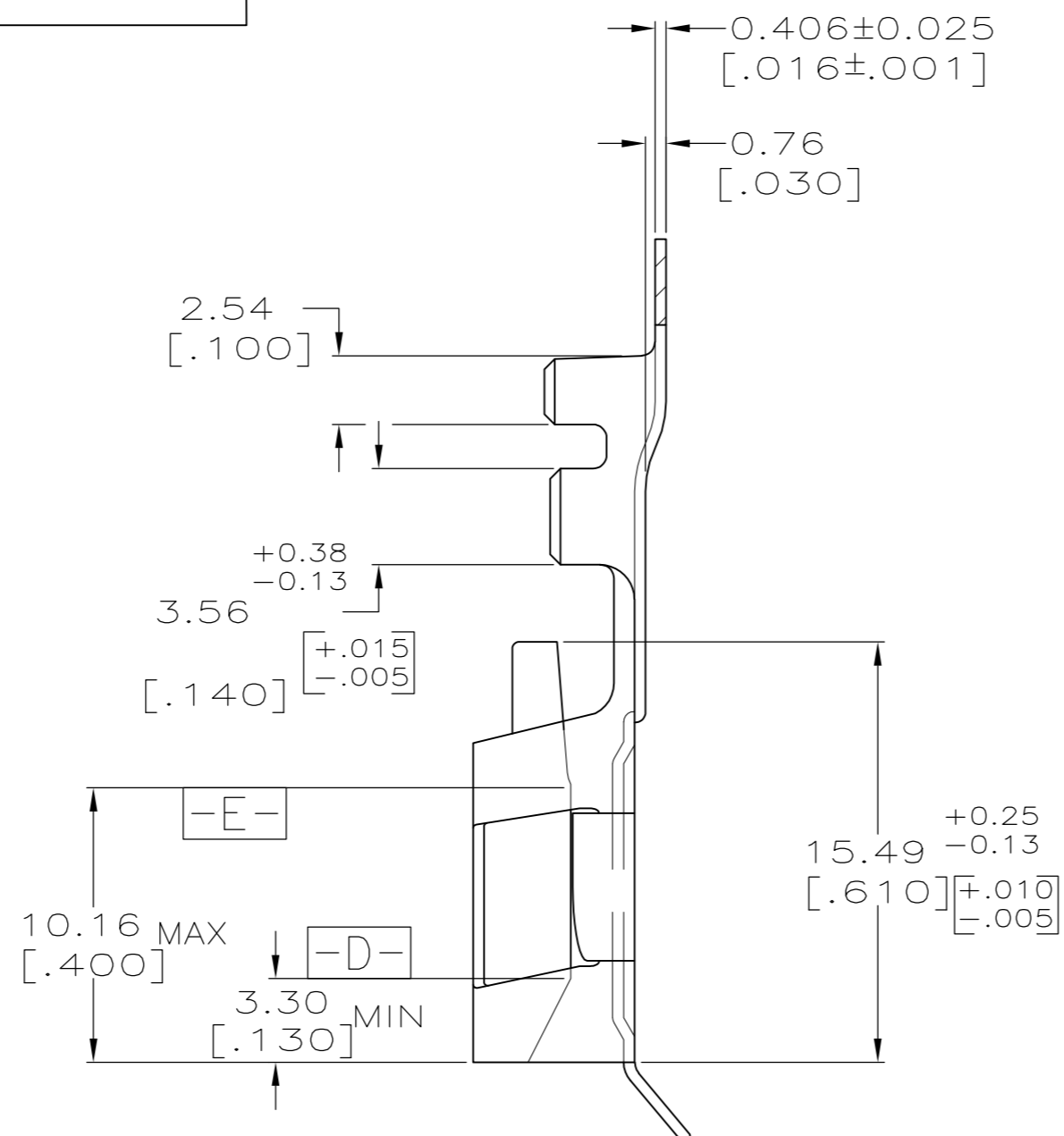
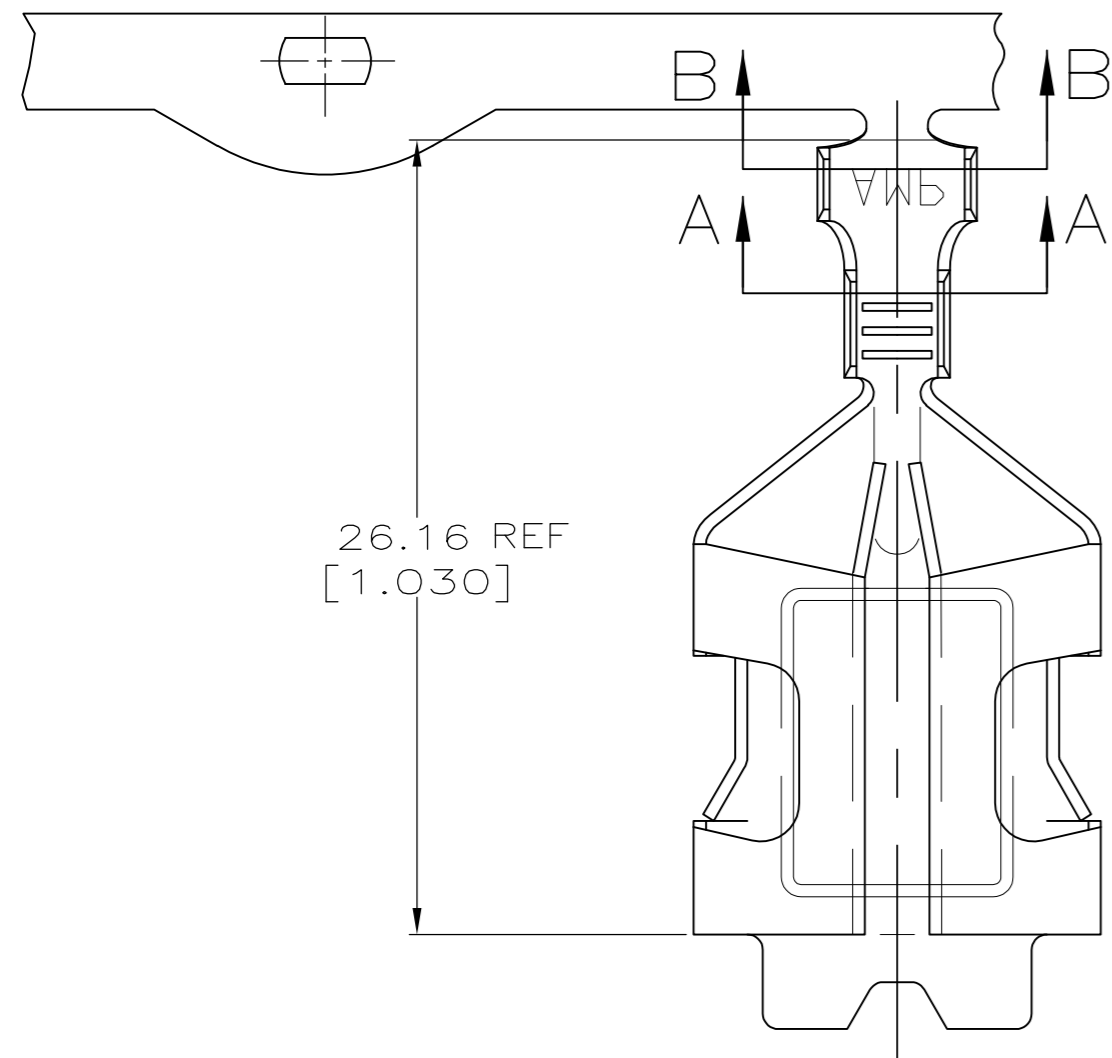
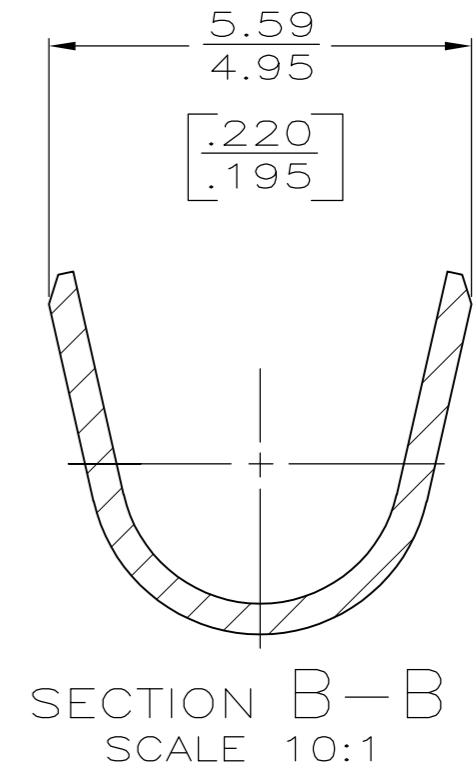
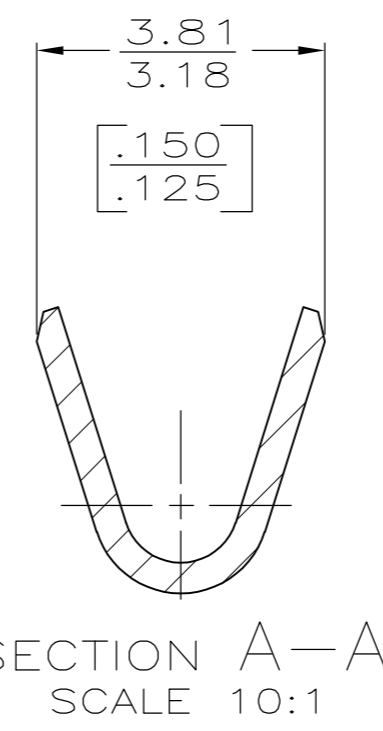
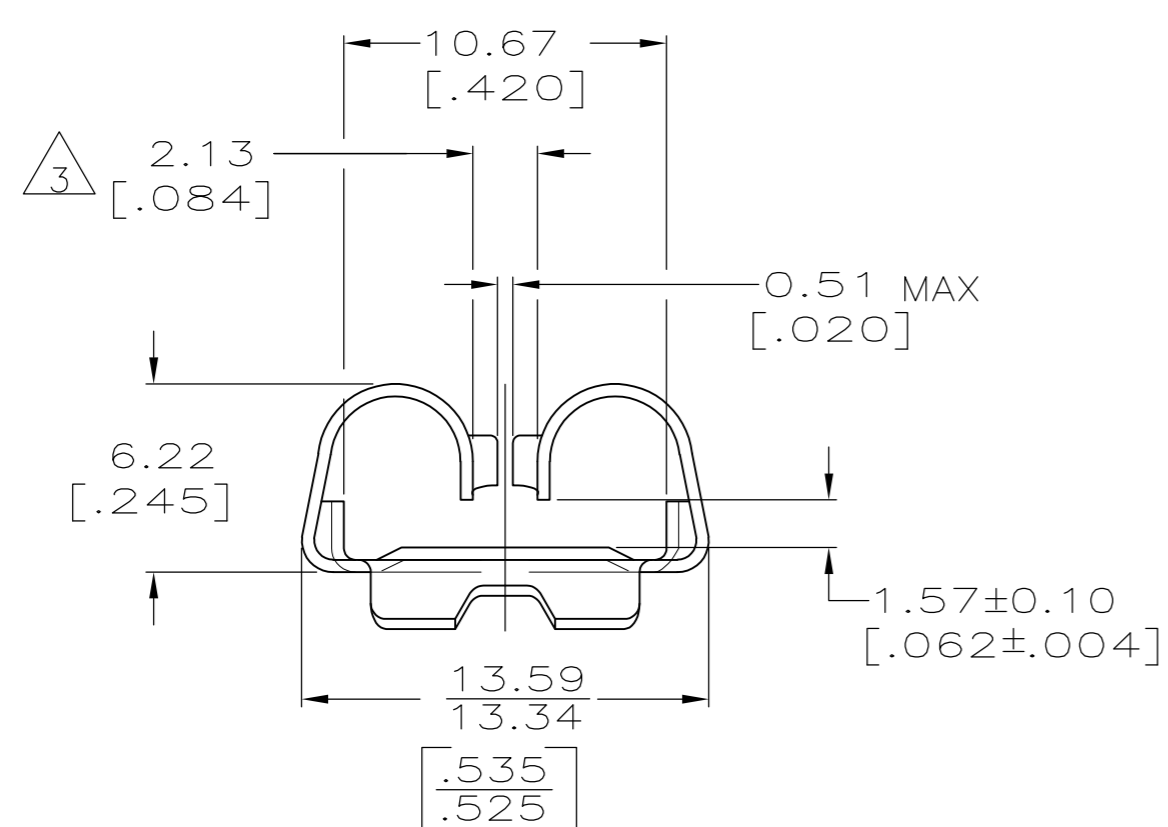


THIS DRAWING IS UNPUBLISHED. RELEASED FOR PUBLICATION
 © COPYRIGHT BY TYCO ELECTRONICS CORPORATION. ALL INTERNATIONAL RIGHTS RESERVED.

LOC	DIST	REVISIONS			
P	LTR	DESCRIPTION	DATE	DWN	APVD
AF	50				
	S2	REVISED PER ECR-08-014119	09JUN08	HMR	GJ
	S3	REVISED PER ECR-15-014057	24SEP2015	L.P	T.D



- 1 ACCEPTS TAB OR RING 1.78 - 2.41 [.070 - .095] THK X 7.92 - 9.52 [.312 - .375] WIDE.
- 2 WILL NOT MATE WITH A TAB OR RING GREATER THAN 0.25 [.010] LESS IN THICKNESS THAN ONE PREVIOUSLY USED.
- 3 DIMENSION APPLIES BETWEEN **-D-** AND **-E-**.
- 4 SUPPLIED AS CONTINUOUS STRIP WITH TERMINALS ON 37.85 [1.490] CENTERS.
- 5 PRELIMINARY - NOT FOR PRODUCTION.
- 6 SUPERSEDED BY 640748-7



	H04 PHOS BRONZE			640748-7
REDUCED REEL COUNT	#4 HD COPPER-NICKEL ALLOY			5 640748-6
	TM06 COPPER-NICKEL-SILICON ALLOY	1	3.96 [.156] MAX DIA	5 640748-4
6 OBSOLETE	#4 HD COPPER-NICKEL ALLOY			640748-1
	MATERIAL	TAB THICKNESS	INSULATION RANGE	WIRE SIZE

THIS DRAWING IS A CONTROLLED DOCUMENT.		DWN P FORTNEY 2/14/91	Tyco Electronics Corporation Harrisburg, PA 17105-3608	
DIMENSIONS: INCHES		CHK JR RUTH 2/14/91	RECEPTACLE, HEAVY DUTY BURNER CONNECTOR	
TOLERANCES UNLESS OTHERWISE SPECIFIED:		APVD R WEAVILL 2/14/91	NAME	
0 PLC ± -	1 PLC ± -	PRODUCT SPEC	108-1056	
2 PLC ± 0.25 [.010]	3 PLC ± -	APPLICATION SPEC	114-1028	
4 PLC ± -	ANGLES ± -	WEIGHT	-	
MATERIAL SEE TABLE	FINISH -	CUSTOMER DRAWING	SCALE 4:1	SHEET 1 of 1
		SIZE A2	CAGE CODE 00779	DRAWING NO C=640748
		RESTRICTED TO	REV S3	