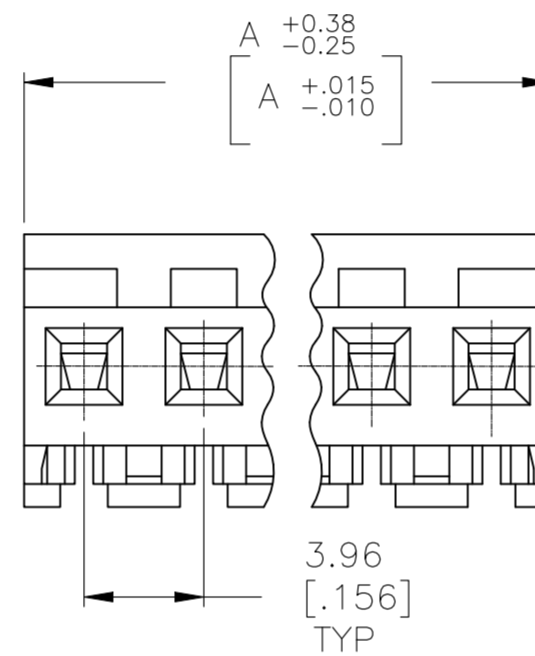
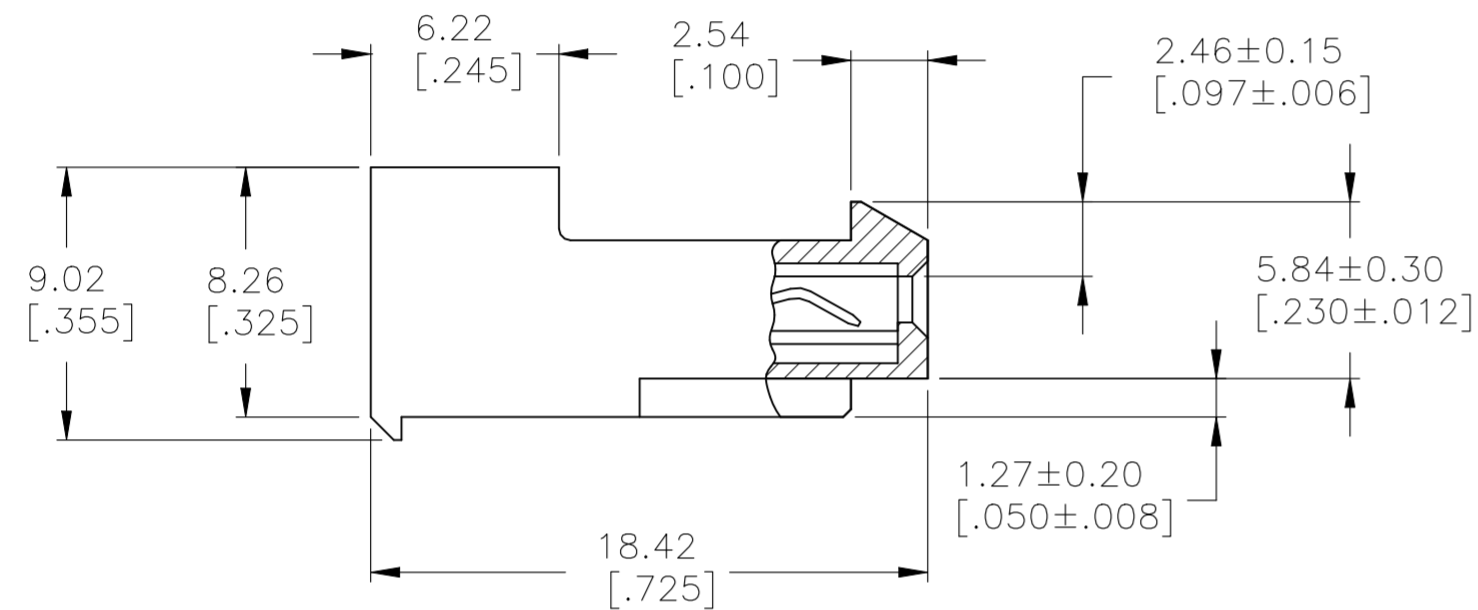
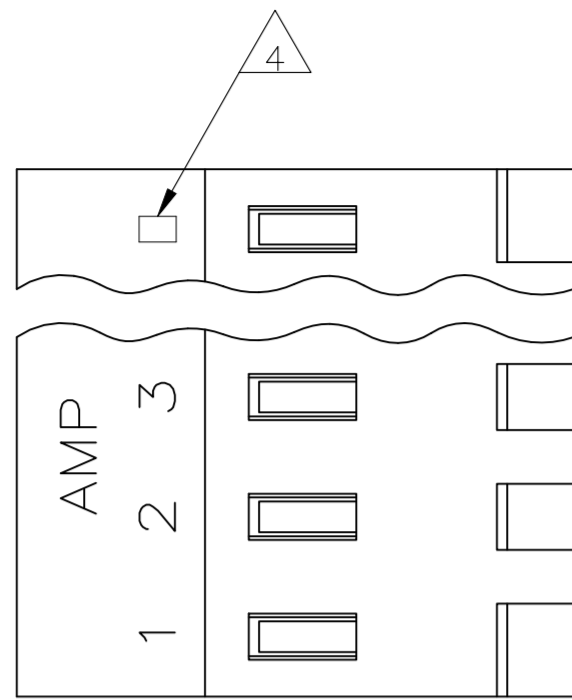


REVISIONS					
P	LTR	DESCRIPTION	DATE	DWN	APVD
U1		REVISED PER ECR-23-181704	22NOV2023	MV	JP



- 1 MATERIAL: CONNECTOR - NYLON UL94-V2 (YELLOW).
CONTACTS - 0.30[.012] THICK COPPER ALLOY (BRIGHT TIN-LEAD 0.00203[.000080] MIN. THICK FOR CONTACTS 640427-2 THRU 2-640427-4). (MATTE WHISKER MITIGATED TIN 0.00203[.000080] MIN. THICKNESS OVER NICKEL UNDERPLATE FOR 3-640427-2 THRU 5-640427-4).
- 2 CONTACTS ACCEPT 20 AWG WIRE WITH 2.41[.095] MAX INSULATION DIAMETER.
- 3 CONTACTS MUST ACCEPT 1.14±0.03[.045] POST AND REMAIN LOCKED IN POSITION.
- 4 IDENTIFICATION NUMBER FOR LAST CIRCUIT MAY NOT APPEAR ON ALL ASSEMBLIES.
- 5 DIMENSIONS IN BRACKETS ARE IN INCHES.
- 6 HOUSING FEATURES ARE: CLOSED END WITH LOCKING RAMP.
- 7 OBSOLETE PARTS: OBSOLETE CIS STREAMLINING PER D.RENAUD/D.SINISI
- 8 OBSOLETE PARTS

STATUS	DIM A	NO. OF CIRCUITS	PART NO.	
OBSOLETE	95.10[3.744]	24	5-640427-4	
	91.13[3.588]	23	5-640427-3	
	87.17[3.432]	22	5-640427-2	
	83.21[3.276]	21	5-640427-1	
	79.25[3.120]	20	5-640427-0	
	75.29[2.964]	19	4-640427-9	
	71.32[2.808]	18	4-640427-8	
	67.36[2.652]	17	4-640427-7	
	63.40[2.496]	16	4-640427-6	
	59.44[2.340]	15	4-640427-5	
	55.47[2.184]	14	4-640427-4	
	51.51[2.028]	13	4-640427-3	
	47.55[1.872]	12	4-640427-2	
	43.59[1.716]	11	4-640427-1	
	39.62[1.560]	10	4-640427-0	
	35.66[1.404]	9	3-640427-9	
	31.70[1.248]	8	3-640427-8	
	27.74[1.092]	7	3-640427-7	
	23.77[.936]	6	3-640427-6	
	19.81[.780]	5	3-640427-5	
	15.85[.624]	4	3-640427-4	
	11.89[.468]	3	3-640427-3	
	7.92[.312]	2	3-640427-2	
7	SUPERCEDED	95.10[3.744]	24	2-640427-4
7	SUPERCEDED	91.13[3.588]	23	2-640427-3
7	SUPERCEDED	87.17[3.432]	22	2-640427-2
7	SUPERCEDED	83.21[3.276]	21	2-640427-1
7	SUPERCEDED	79.25[3.120]	20	2-640427-0
7	SUPERCEDED	75.29[2.964]	19	1-640427-9
7	SUPERCEDED	71.32[2.808]	18	1-640427-8
7	SUPERCEDED	67.36[2.652]	17	1-640427-7
7	SUPERCEDED	63.40[2.496]	16	1-640427-6
7	SUPERCEDED	59.44[2.340]	15	1-640427-5
7	SUPERCEDED	55.47[2.184]	14	1-640427-4
7	SUPERCEDED	51.51[2.028]	13	1-640427-3
7	SUPERCEDED	47.55[1.872]	12	1-640427-2
7	SUPERCEDED	43.59[1.716]	11	1-640427-1
7	SUPERCEDED	39.62[1.560]	10	1-640427-0
7	SUPERCEDED	35.66[1.404]	9	1-640427-9
7	SUPERCEDED	31.70[1.248]	8	1-640427-8
7	SUPERCEDED	27.74[1.092]	7	1-640427-7
7	SUPERCEDED	23.77[.936]	6	1-640427-6
7	SUPERCEDED	19.81[.780]	5	1-640427-5
7	SUPERCEDED	15.85[.624]	4	1-640427-4
7	SUPERCEDED	11.89[.468]	3	1-640427-3
7	SUPERCEDED	7.92[.312]	2	1-640427-2
		DIM A	NO. OF CIRCUITS	PART NO.

THIS DRAWING IS A CONTROLLED DOCUMENT.		DWN S. CARPENTER 07JUL03		
DIMENSIONS: mm [INCHES]		CHK D. BOSSI 07JUL03		
TOLERANCES UNLESS OTHERWISE SPECIFIED:		APVD D. BOSSI 07JUL03	NAME	
0 PLC ± -		PRODUCT SPEC	MTA 156 CONNECTOR ASSEMBLY, 20 AWG, STANDARD	
1 PLC ± -		APPLICATION SPEC	-	
2 PLC ± -		108-1051	SIZE	CAGE CODE
3 PLC ± 0.13 [.005]		114-1020	A2	00779
4 PLC ± -		WEIGHT	DRAWING NO	
ANGLES ± -		-	C=640427	
FINISH		CUSTOMER DRAWING		RESTRICTED TO
1		SCALE 4:1		SHEET 1 OF 1
1		REV U1		