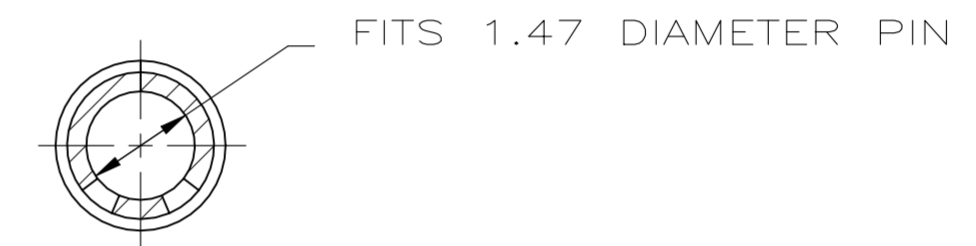
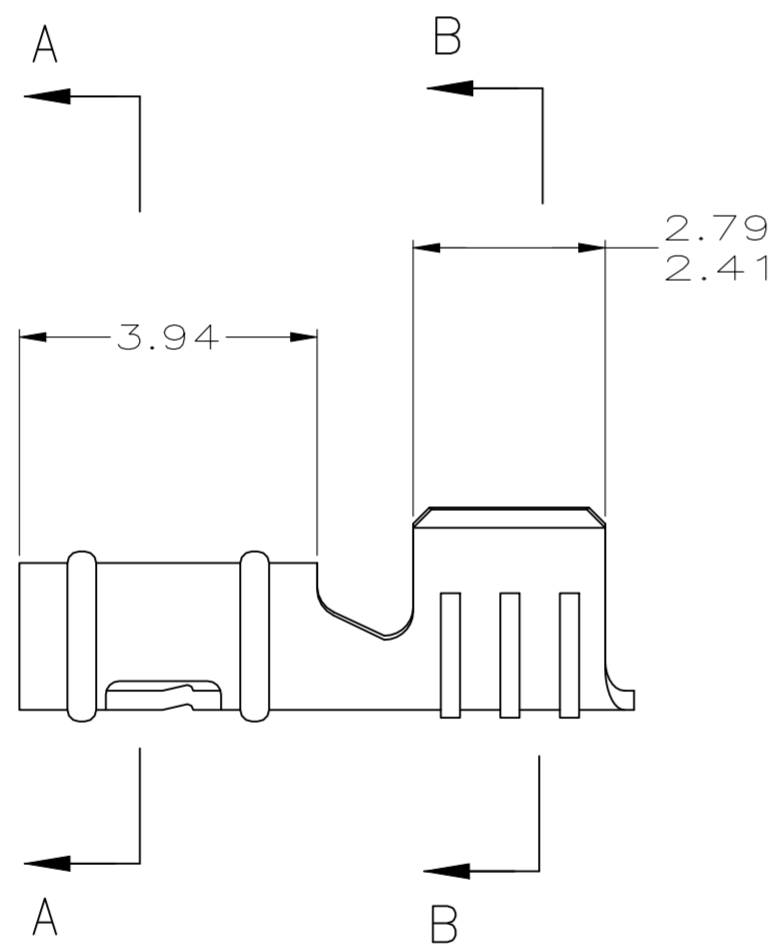
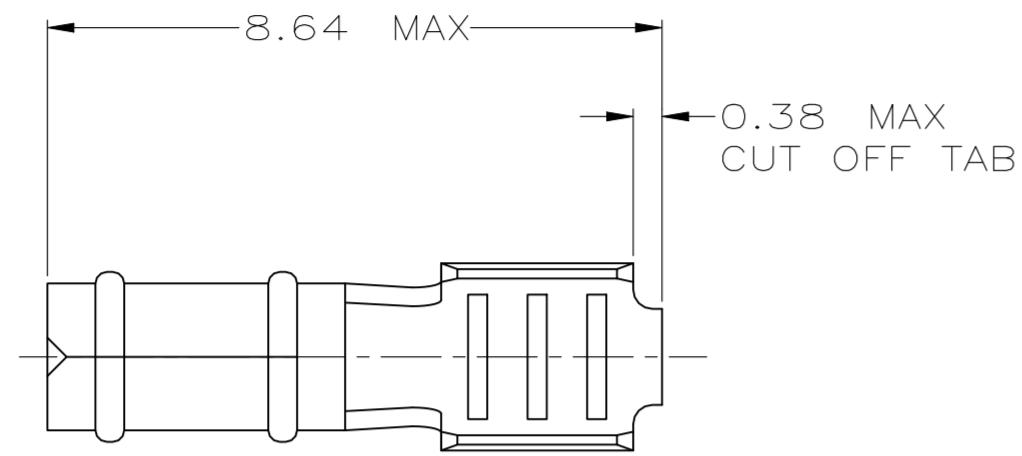
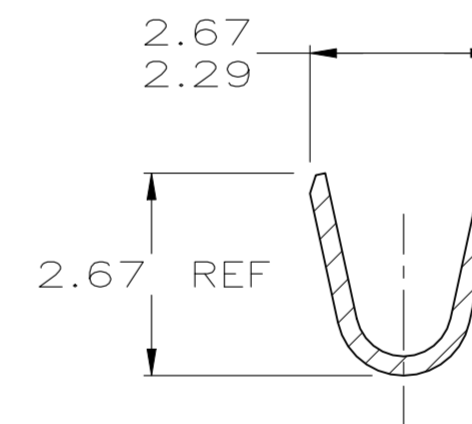


REVISIONS					
P	LTR	DESCRIPTION	DATE	DWN	APVD
F		REVISED PER ECR-24-204609	29APR2024	DK	JP

- 1 TIN PRE-PLATING.
- 2 WIRE RANGE: 0.3 - 1 MM<sup>2</sup> (22-17 AWG)



SECTION A-A



SECTION B-B

MM	IN	MM	IN	MM	IN
0.38	.015	2.67	.105	-	-
0.25	.010	2.41	.095	8.64	.340
0.13	.005	2.29	.090	3.94	.155
0.00203	.000080	1.47	.058	2.79	.110

CONVERSION TABLE

THIS DRAWING IS A CONTROLLED DOCUMENT.		DWN T. BECK 6-10-97	0.25 PH BRZ MATERIAL	640024-1 PART NUMBER
DIMENSIONS: mm		CHK R. SWING 6-10-97		
TOLERANCES UNLESS OTHERWISE SPECIFIED:		APVD A. BEDDICK 6-17-97		
		PRODUCT SPEC 108-1025	RECEPTACLE, .058 DIAMETER, 22-17 AWG, LOOSE PIECE, P.C. CONTACT	
MATERIAL SEE TABLE		APPLICATION SPEC 114-1008	SIZE A2	CAGE CODE 00779
FINISH SEE TABLE		WEIGHT 0.000000	DRAWING NO C-640024	RESTRICTED TO -
CUSTOMER DRAWING			SCALE 10:1	SHEET 1 OF 1
			REV F	