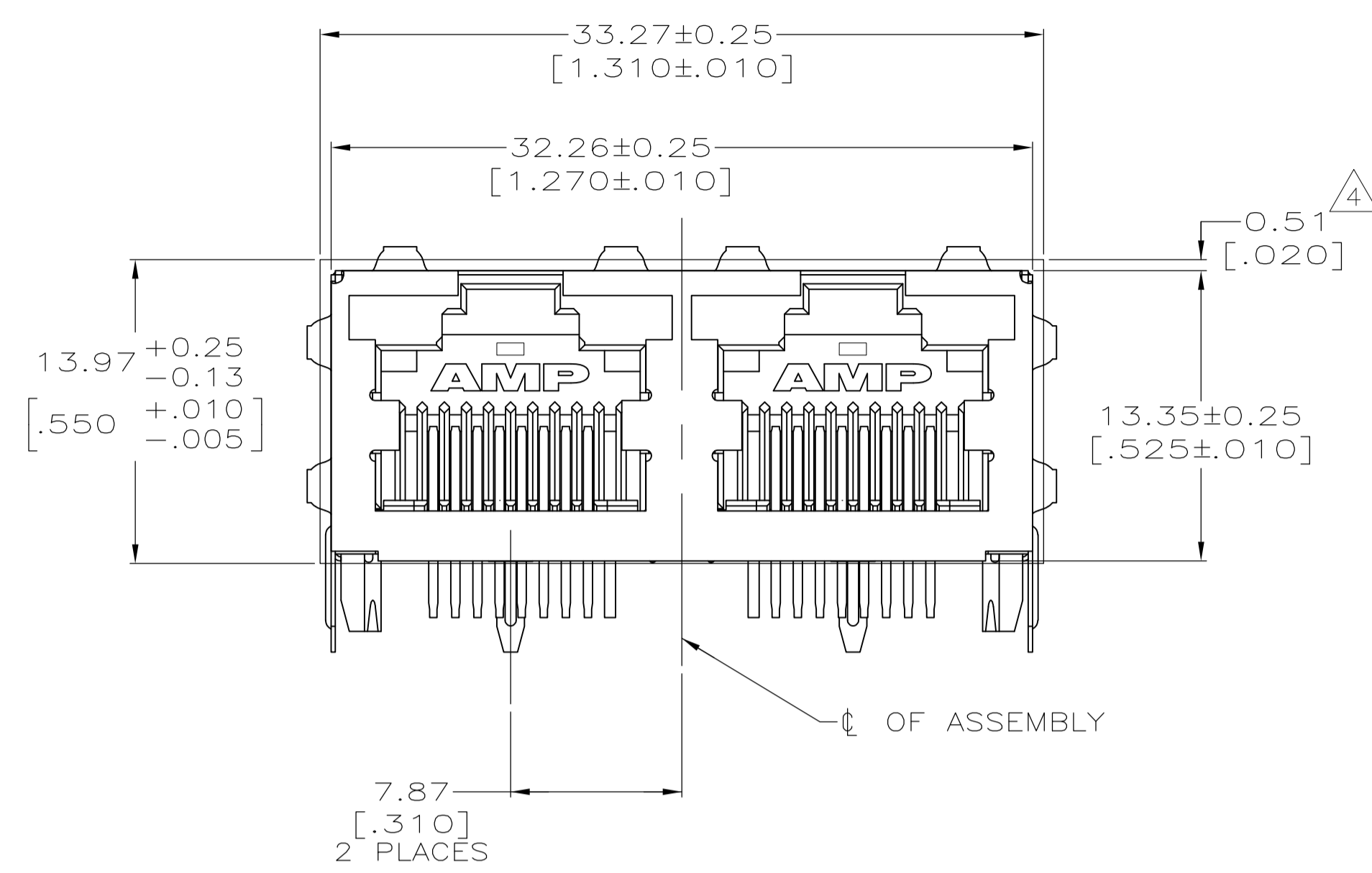
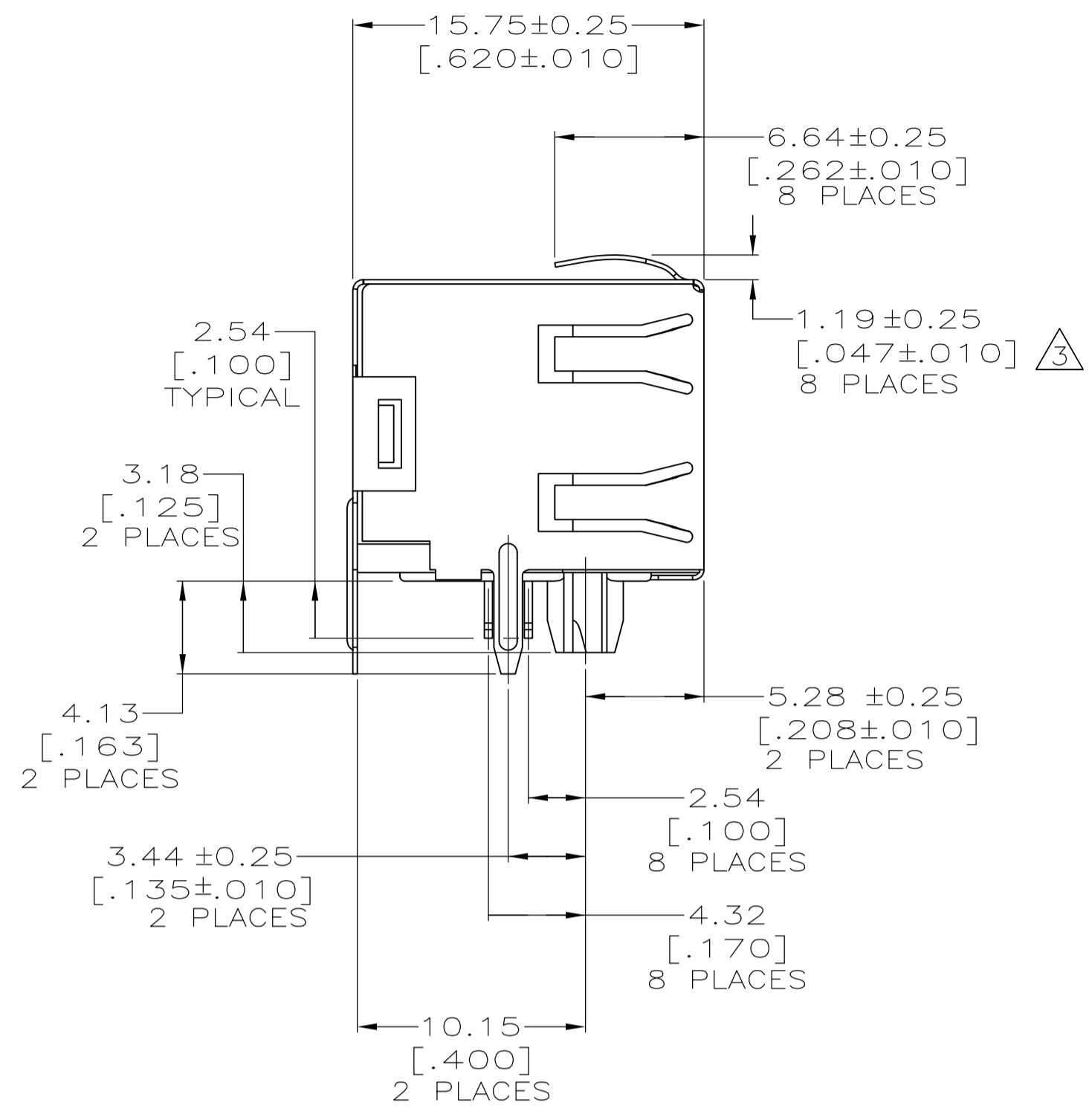
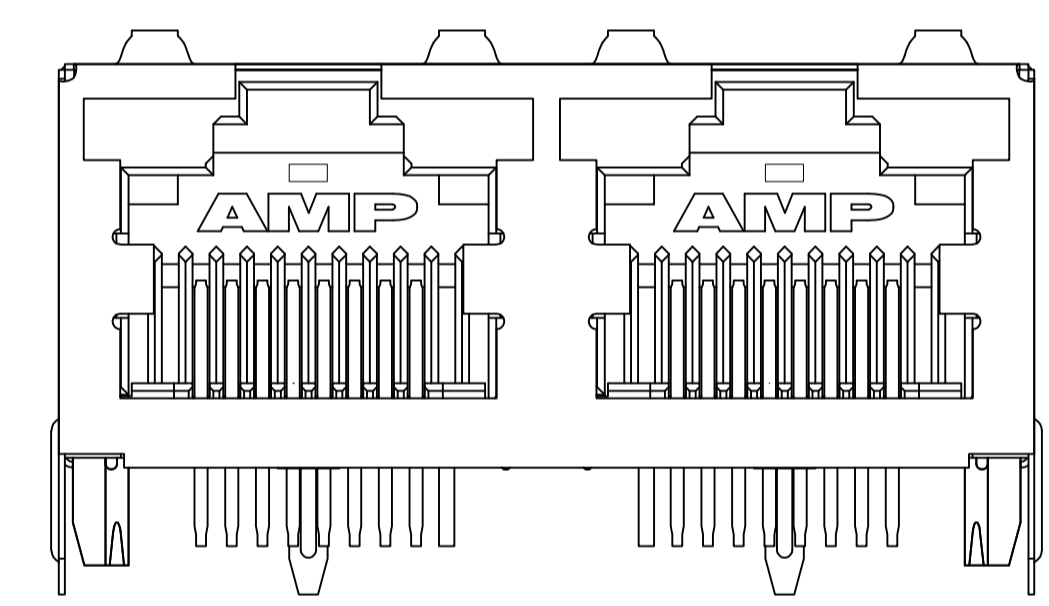


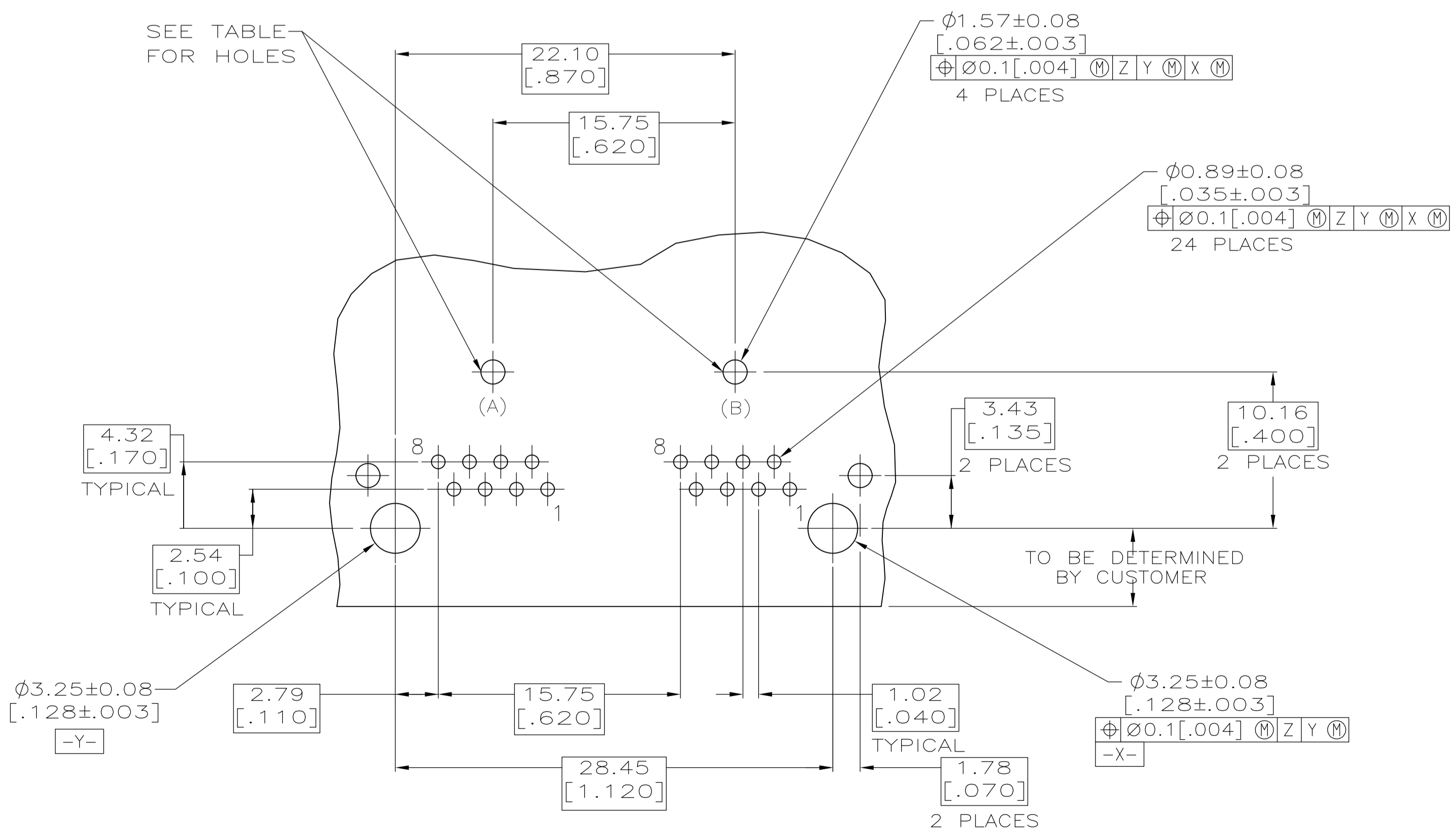
REVISIONS				
P	LTR	DESCRIPTION	DATE	OWN
A4	ECO-16-010974		25JUL2016	AD SH



- △ MATERIAL: HOUSING – HIGH TEMPERATURE THERMOPLASTIC, BLACK, UL94V-0; IR REFLOW SOLDERING PROCESS COMPATIBLE. TERMINALS – 0.36[.014] THICK PHOS BRONZE PLATED WITH 3.81µm[.000150] MINIMUM THICK MATTE TIN IN SOLDER AREA. 1.27µm [.000050] MINIMUM GOLD IN LOCALIZED PLATE AREA. ENTIRE TERMINAL PLATED WITH 1.27µm [.000050] MINIMUM THICK NICKEL. SHIELD – 0.196[.0077] THICK COPPER ZINC ALLOY PREPLATED WITH 1.27µm[.000050] MINIMUM SATIN NICKEL WITH 2.03µm[.000080] MINIMUM TIN POST DIPPED ON PCB GROUND TABS.
- 2. JACK CAVITY CONFORMS TO FCC RULES AND REGULATIONS PART 68, SUBPART F.
- △ SUGGESTED PANEL OPENING DIMENSIONS.
- △ SUGGESTED CLEARANCE BETWEEN TOP OF CONNECTOR AND TOP PANEL OPENING.
- △ TAPE&REEL PACKAGING WITH ANTISTATIC.



PN: 6116522-3  
SIMILAR TO 6116522-1, BUT WITHOUT EMI FINGERS ON BOTH SID



SUGGESTED PRINTED CIRCUIT BOARD LAYOUT (COMPONENT SIDE)

REAR TABS	EMI FINGERS	PACKAGE	PART NUMBER
2	4	TRAY	6116522-3
2	8	△ T&R	6116522-2
2	8	TRAY	6116522-1

THIS DRAWING IS A CONTROLLED DOCUMENT.		BIN L VARELA - DOCKS 10JUN2005		TE Connectivity	
DIMENSIONS: mm [INCHES]		CHK J. WESTMAN 10JUN2005			
TOLERANCES UNLESS OTHERWISE SPECIFIED:		APVD S. FLICKINGER 10JUN2005		NAME	
0 PLC ± -		PRODUCT SPEC		INVERTED MODULAR JACK ASSEMBLY, 1X2, SHIELDED, PANEL GROUND	
1 PLC ± -		108-1163-4		SIZE	
2 PLC ± 0.25(.01)		APPLICATION SPEC		CAGE CODE	
3 PLC ± 0.13(.005)		114-2154		DRAWING NO	
4 PLC ± -		WEIGHT 0.000000		RESTRICTED TO	
ANGLES ± -		A1 00779		6116522	
MATERIAL		CUSTOMER DRAWING		SCALE 4:1 SHEET 1 OF 1 REV A4	