
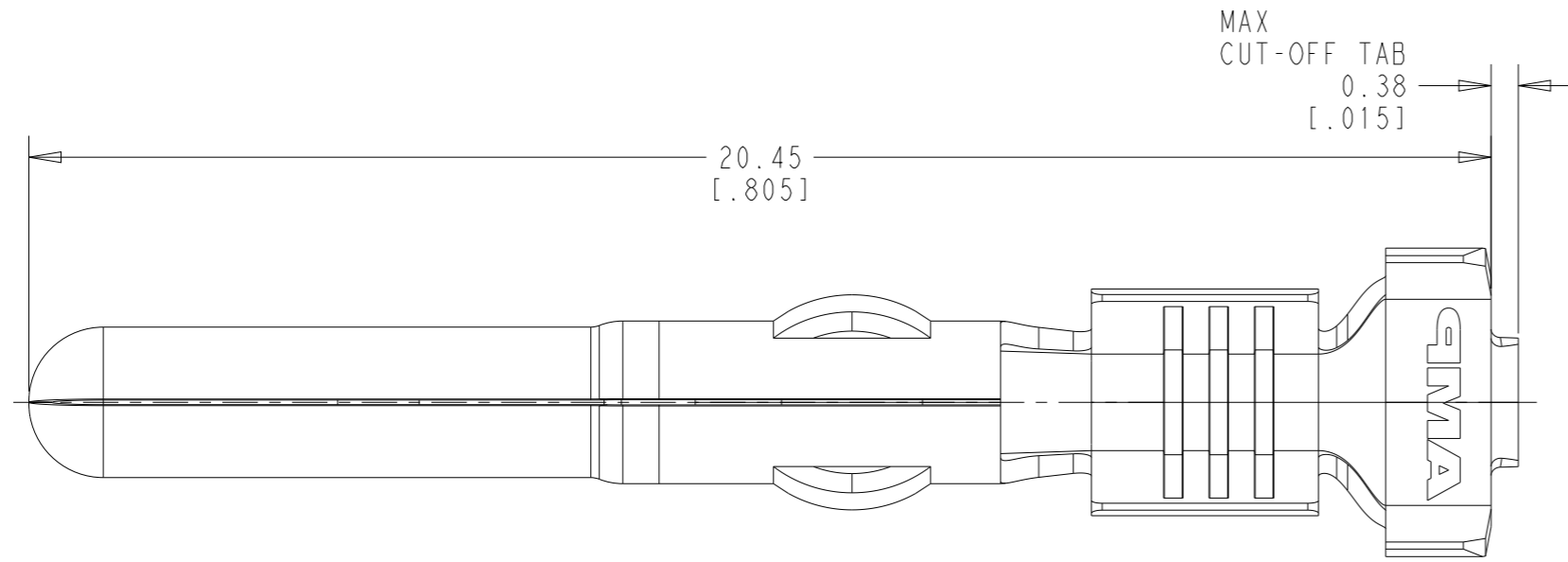


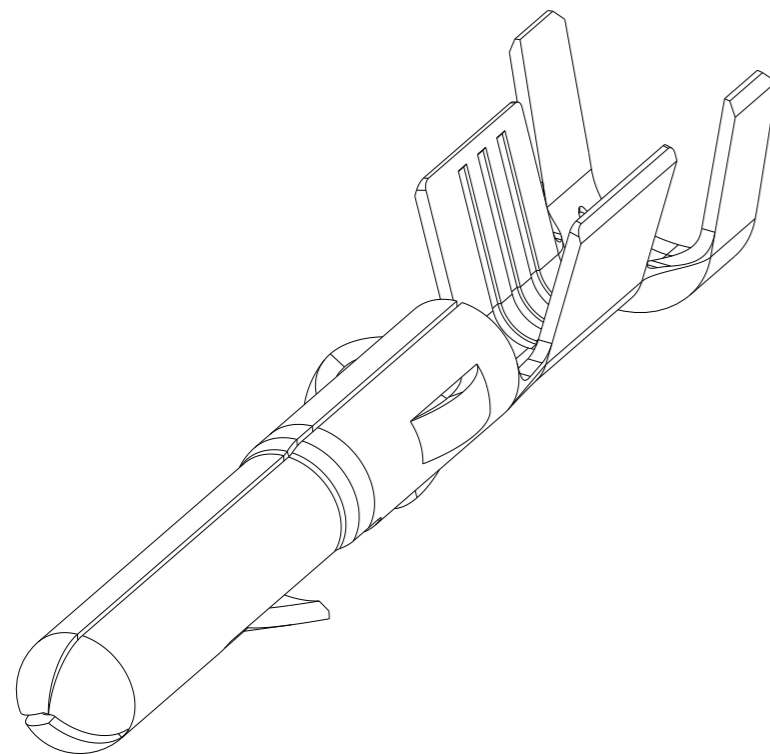
P	LTR	DESCRIPTION	DATE	DWN	APVD
S1		REVISED PER ECO-11-005294	05APR2011	RK	HMR
S2		REVISED PER ECN-23-233438	02OCT2023	WLS	VS

NOTES:


- FOR ADDITIONAL INFORMATION SEE DRAWING 61117.
- THIS TERMINAL IS SUPPLIED IN INDIVIDUAL FORM, NOT AS A CONTINUOUS STRIP.
-  NICKEL ON ENTIRE TERMINAL WITH 0.76µm [30µin] GOLD ON MATING AREA AND WIRE BARREL.
- WIRE RANGE: 0.5 - 2mm<sup>2</sup> [20 - 14 AWG].
- INSULATION RANGE: 3.30[.130] MAX DIA.
- DIMENSIONS IN BRACKETS ARE IN INCHES.



61118-5	GOLD 	.012 BRASS	60620-5
61118-4	PRE-TIN	.012 PH BRZ	60620-4
61118-1	PRE-TIN	.012 BRASS	60620-1
MAKE FROM	FINISH	MATERIAL	PART NUMBER



SCALE 8:1

THIS DRAWING IS A CONTROLLED DOCUMENT.		DWN M. FEHER 26NOV1979	 TE Connectivity	
DIMENSIONS: mm [INCHES]		CHK D. S. HEIDE 07JAN1980		
TOLERANCES UNLESS OTHERWISE SPECIFIED:		APVD V. SHEETAR 02OCT2023	NAME PIN, LOOSE PIECE COMMERCIAL MATE-N-LOK	
0 PLC ±- 1 PLC ±- 2 PLC ±- ±0.38 [0.015] 3 PLC ±- [0.015] 4 PLC ±- ANGLES ±-		PRODUCT SPEC 108-1000	RESTRICTED TO	
MATERIAL SEE TABLE		APPLICATION SPEC 114-1012	SIZE A3	CAGE CODE 00779
FINISH SEE TABLE		WEIGHT -	DRAWING NO G-60620	REV S2
CUSTOMER DRAWING			SCALE 10:1	SHEET 1 OF 1