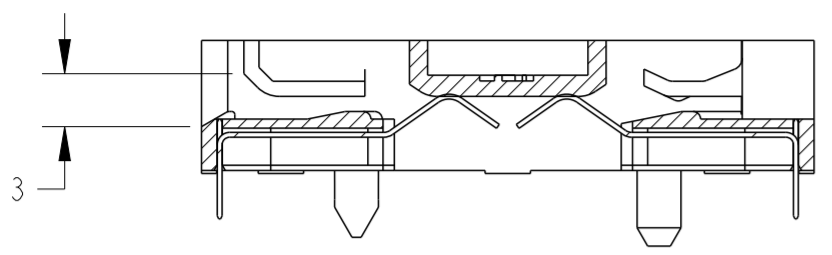


THIS DRAWING IS UNPUBLISHED. RELEASED FOR PUBLICATION
 © COPYRIGHT - ALL RIGHTS RESERVED.

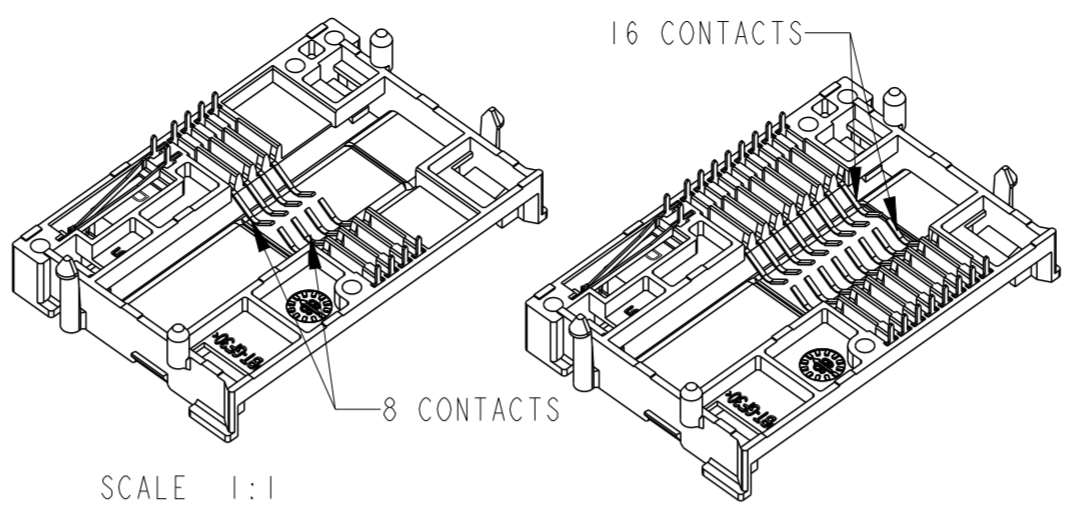
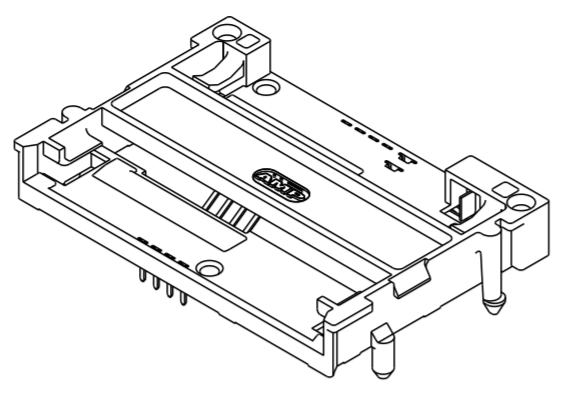
PN 5953398-1

PN 5953398-2

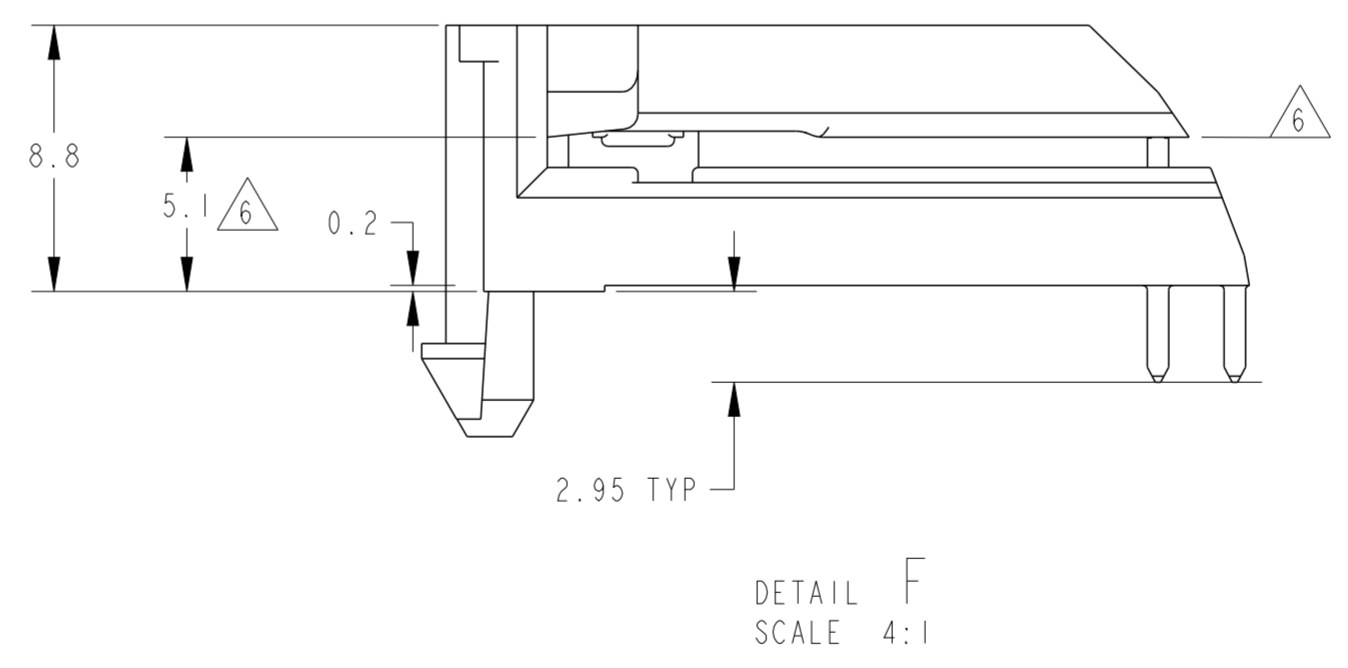
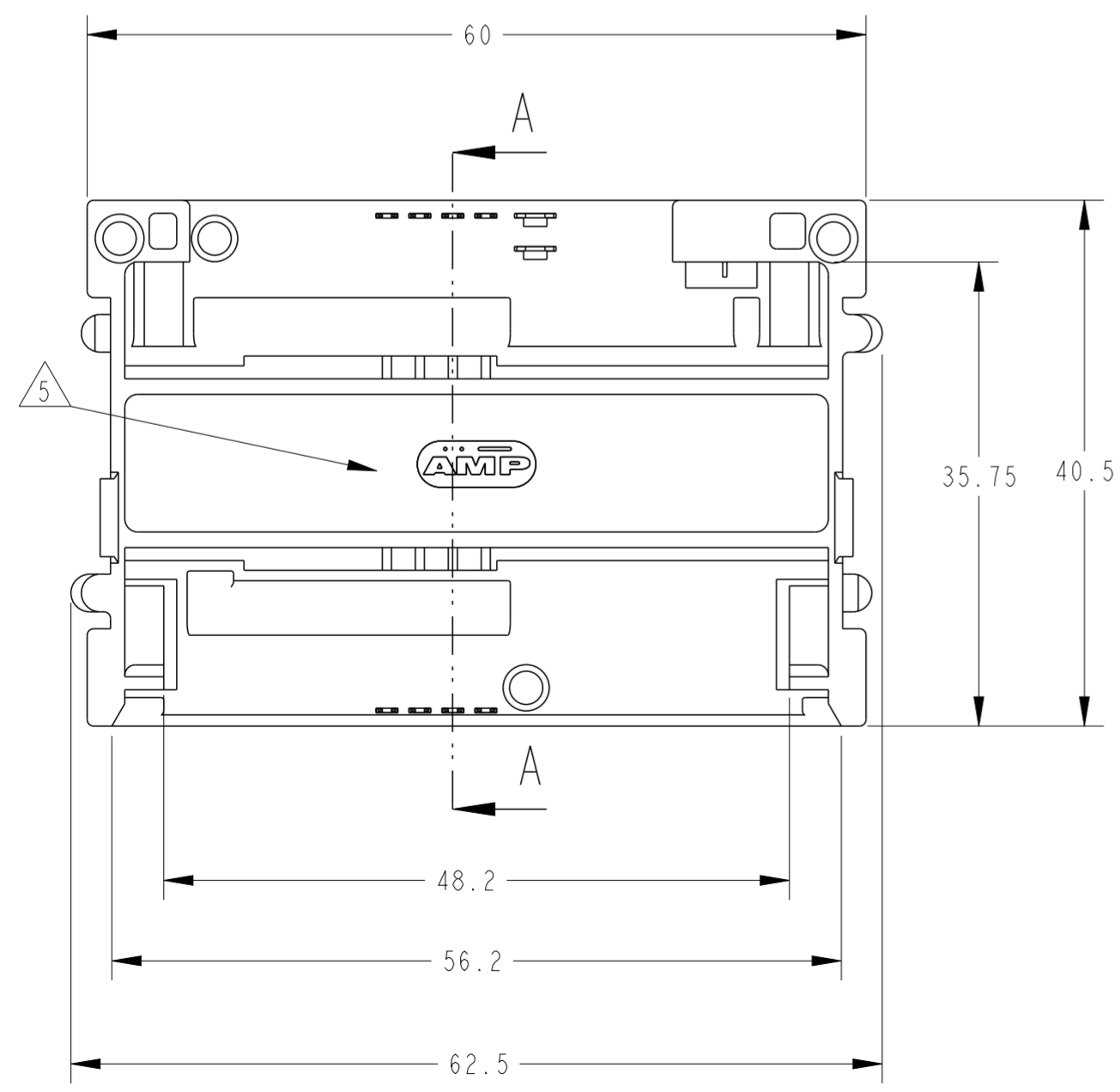
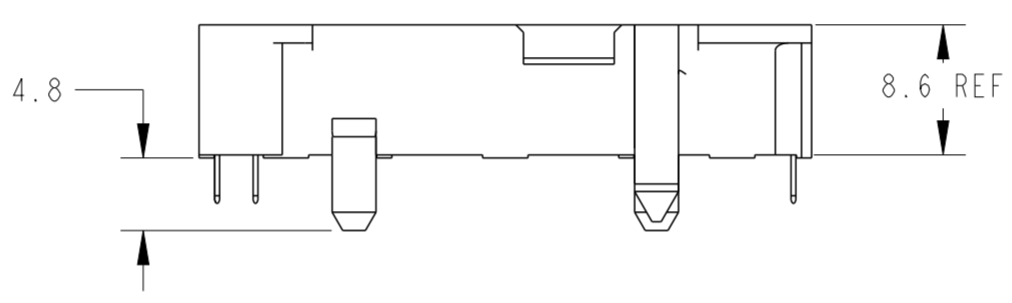
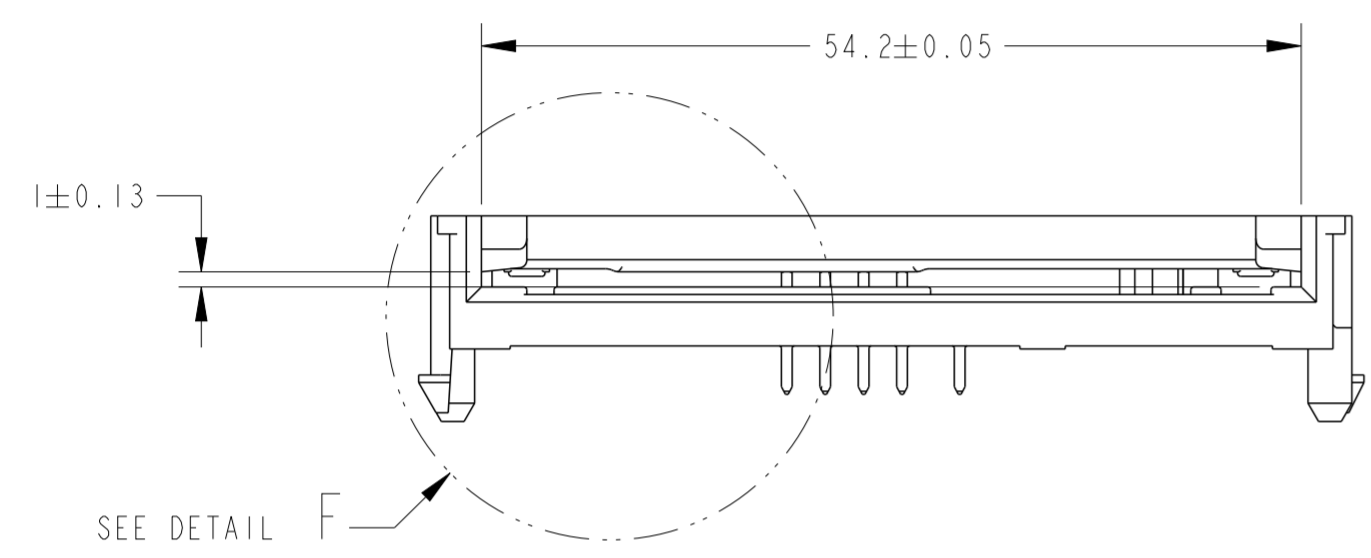
LOC		DIST		REVISIONS			
P	LTR	DESCRIPTION	DATE	DWN	APVD		
D		ECR-11-025634	20DEC2011	GG	RRP		
D1		REVISED PER ECR-19-006701	26APR2019	R.Z	S.L		
D2		ECN-22-175631	21SEP2022	RR	SZ		



SECTION A-A



SCALE 1:1



DETAIL F SCALE 4:1

NOTES:

CONTACTS PLATING :

- 1 OVERALL: Ni 2µm MIN, ALL OVER THE CONTACTS.
- SOLDER ZONE: Sn 2.5µm MIN ON THE SOLDER ZONE OF THE CONTACTS.
- MATING ZONE: PLATING CONFIRMS TO PRODUCT REQUIREMENTS AS PER SPECIFICATION 108-15202.

MATERIAL :

- 2 HOUSING: PBT-GF, BLACK UL 94V0. CONTACTS: PHOSPHOR BRONZE.
- 3 TE SMART CARD RECEPTACLE DESIGNED TO ACCEPT ISO 7810-7816 TYPE INTEGRATED CIRCUIT SMART CARDS (0.76MM REF. THICKNESS) SEE SHEET 2/2
- 4 8 POSITIONS 5953398-1 SHOWN ON DRAWING
- 5 LOGO SHAPE AND POSITION VARY DEPENDING ON MOLD CAVITY NUMBER.
- 6 DIMENSION APPLICABLE IN CARD CONTACT AREA ONLY SURFACE VARY DEPENDING ON MOLD CAVITY NUMBER

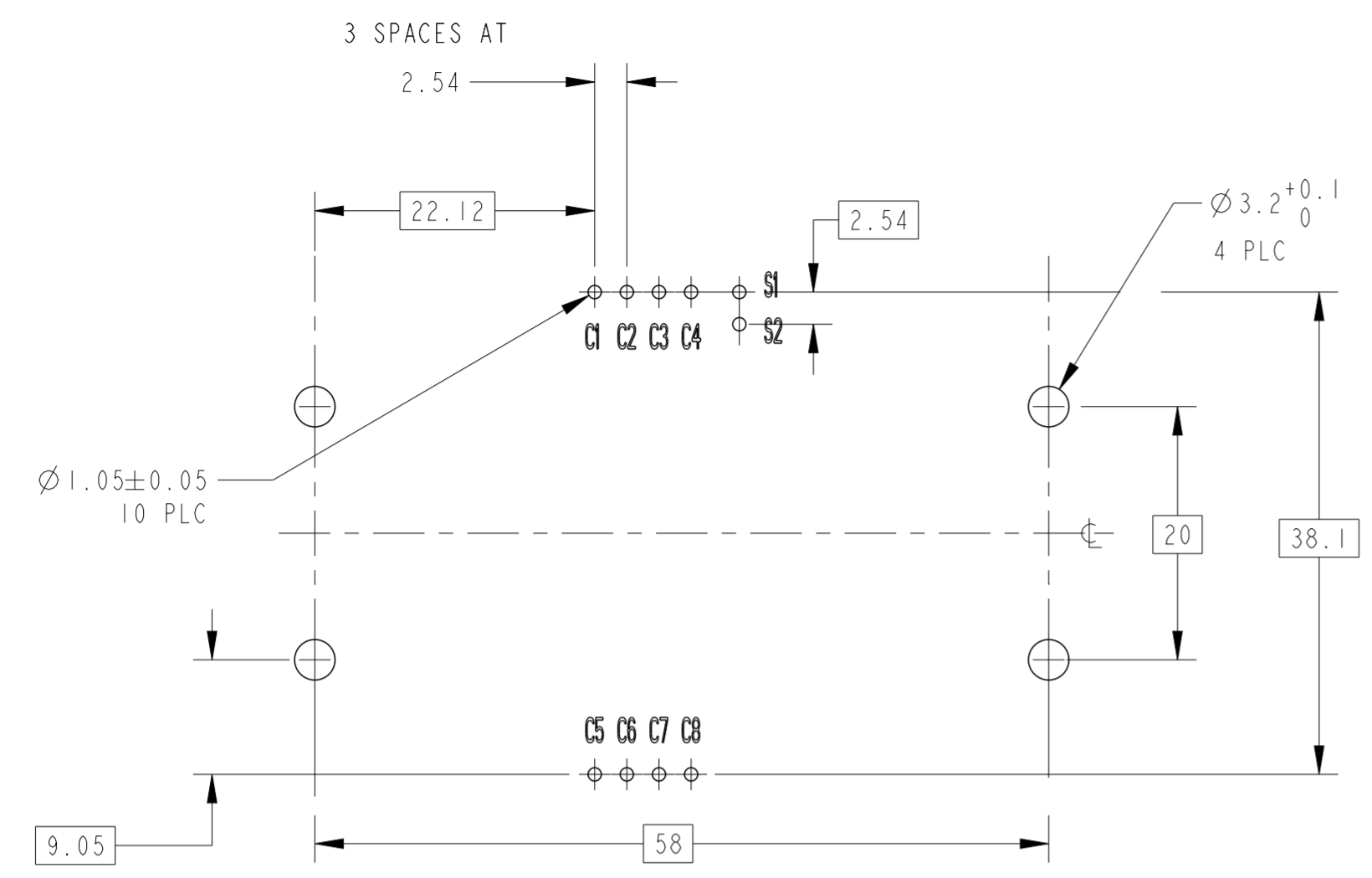
(D1)

OBSOLETE
OBSOLETE

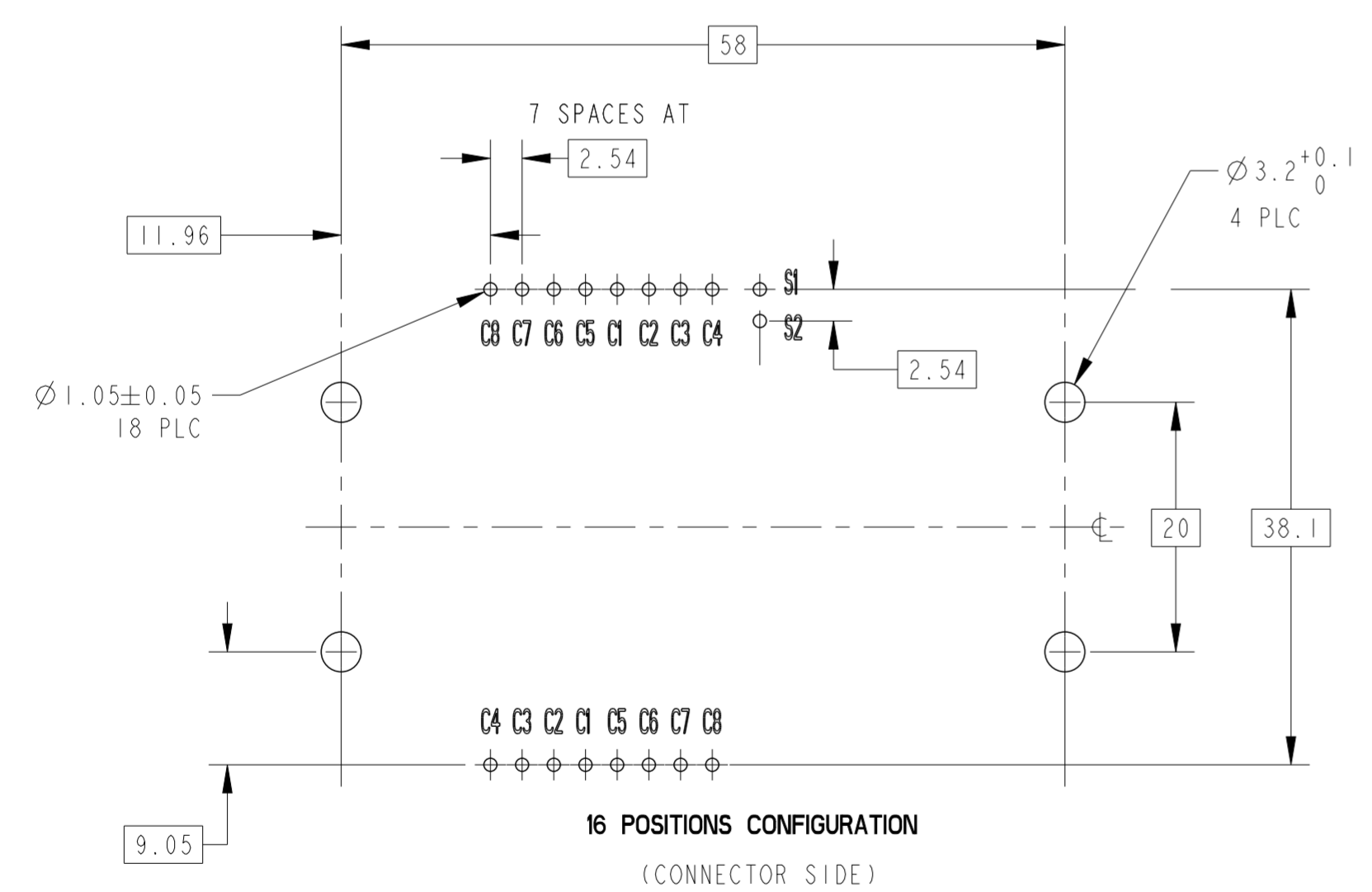
PartNumber : 5953398-1	8 POSITIONS ISO 7816
PartNumber : 5953398-2	16 POSITIONS ISO / CP8 AFNOR

THIS DRAWING IS A CONTROLLED DOCUMENT.		DWN R. Coolen 16 Dec 04	TE Connectivity	
DIMENSIONS: mm		CHK W. Jansen	NAME	
TOLERANCES UNLESS OTHERWISE SPECIFIED:		APVD P. Jaeger	PRODUCT SPEC	
0 PLC ±0,5	1 PLC ±0,3	APPLICATION SPEC	108-15202	
2 PLC ±0,13	3 PLC ± -	WEIGHT	8,5/9 g	
4 PLC ± -	ANGLES ± -	CUSTOMER DRAWING	SCALE 2:1	
MATERIAL	FINISH	SIZE	CAGE CODE	DRAWING NO
		A2		G-5953398
		SHEET	OF	REV
		1	2	D2

THIS DRAWING IS UNPUBLISHED. RELEASED FOR PUBLICATION
 © COPYRIGHT - ALL RIGHTS RESERVED.



8 POSITIONS CONFIGURATION
 (CONNECTOR SIDE)
 SCALE 2:1

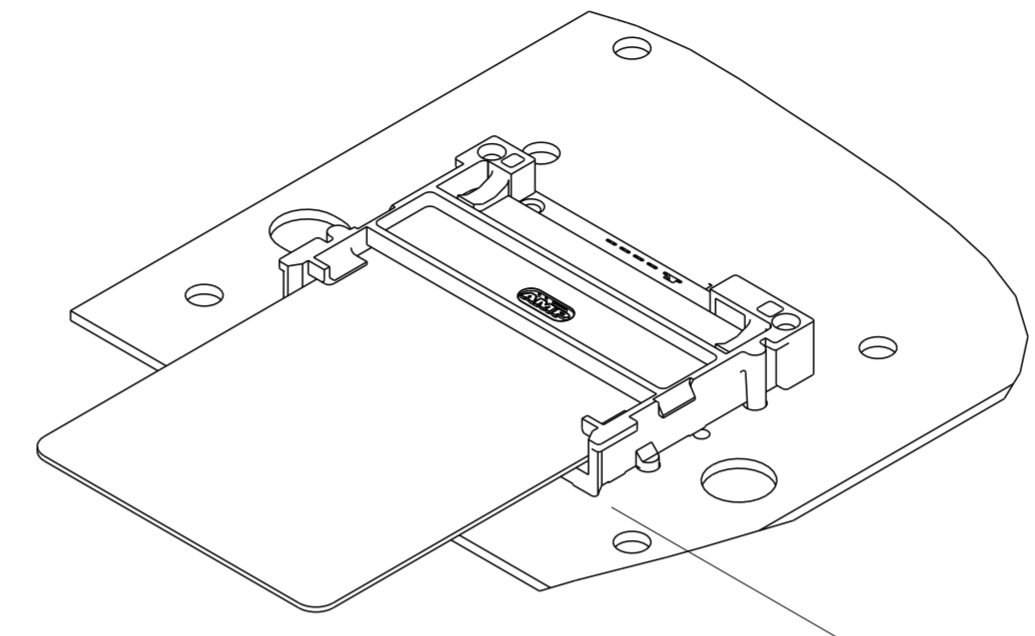


16 POSITIONS CONFIGURATION
 (CONNECTOR SIDE)

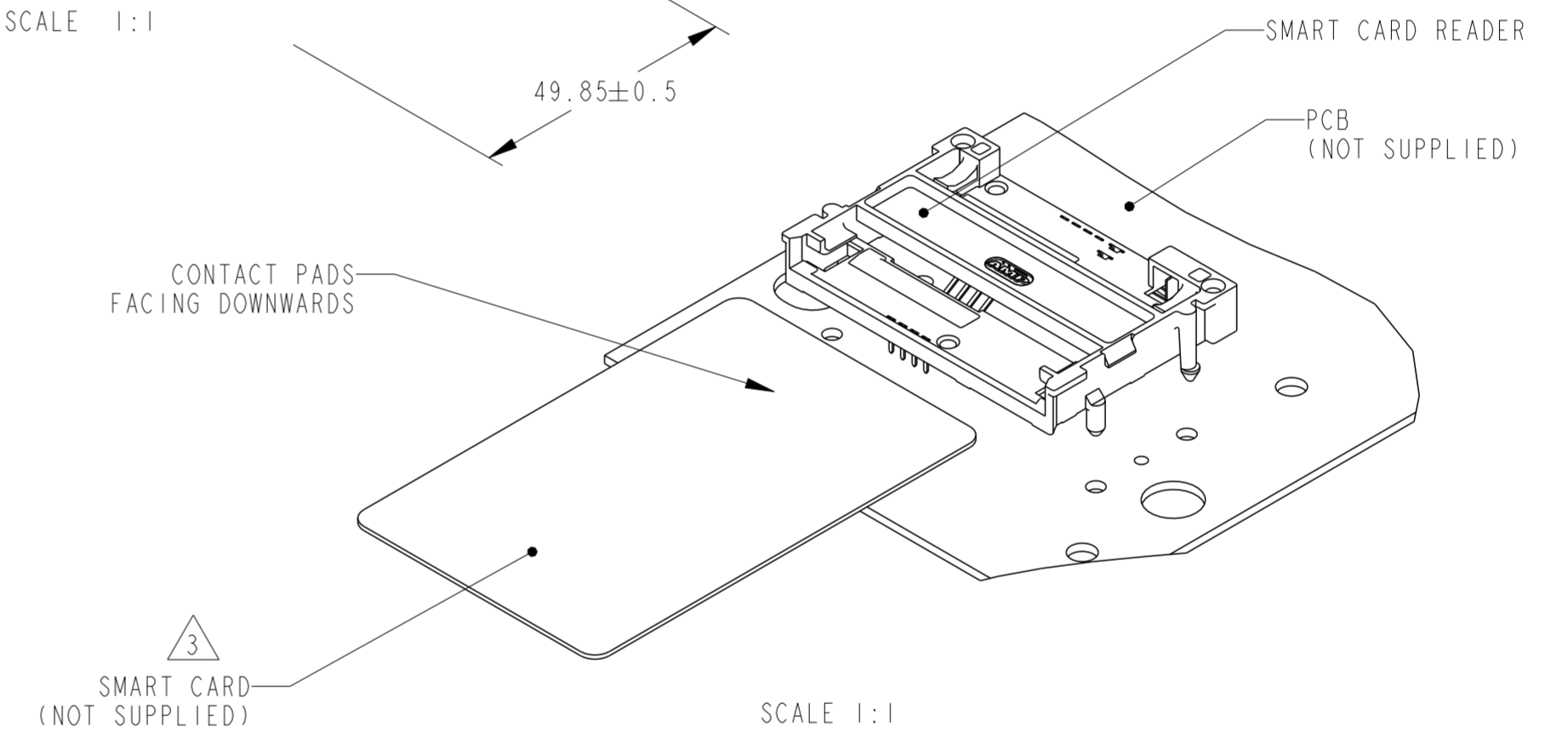
POSITION TOLERANCE FOR ALL HOLES $\text{⊕} \text{⌀} 0.1$
 PCB BOARD THICKNESS 1.57 ± 0.1 (.062)

RECOMMENDED PCB LAYOUT

LOC	DIST	REVISIONS					
IR	-	P	LTR	DESCRIPTION	DATE	DWN	APVD
		-		SEE SHEET 1	-	-	-



SCALE 1:1



PCB MOUNTING CONFIGURATION

SCALE 1:1

THIS DRAWING IS A CONTROLLED DOCUMENT.		DWN R. Coolen 16 Dec 04	TE Connectivity	
DIMENSIONS: mm		CHK W. Jansen		
TOLERANCES UNLESS OTHERWISE SPECIFIED:		APVD P. Jaeger	PRODUCT SPEC	SMART CARD READER 0.76
0 PLC ±0.5		APPLICATION SPEC	108-15202	PCB MOUNT THROUGH HOLE, LOW PROFILE
1 PLC ±0.3		WEIGHT	8,5/9 g	BLADE SWITCH NORMALLY CLOSED
2 PLC ±0.13		SIZE	A2	
3 PLC ±		CAGE CODE		
4 PLC ±		DRAWING NO	G-5953398	
ANGLES ±		RESTRICTED TO		
FINISH ±		SCALE	2:1	
MATERIAL		CUSTOMER DRAWING	SHEET 2 OF 2	REV D2