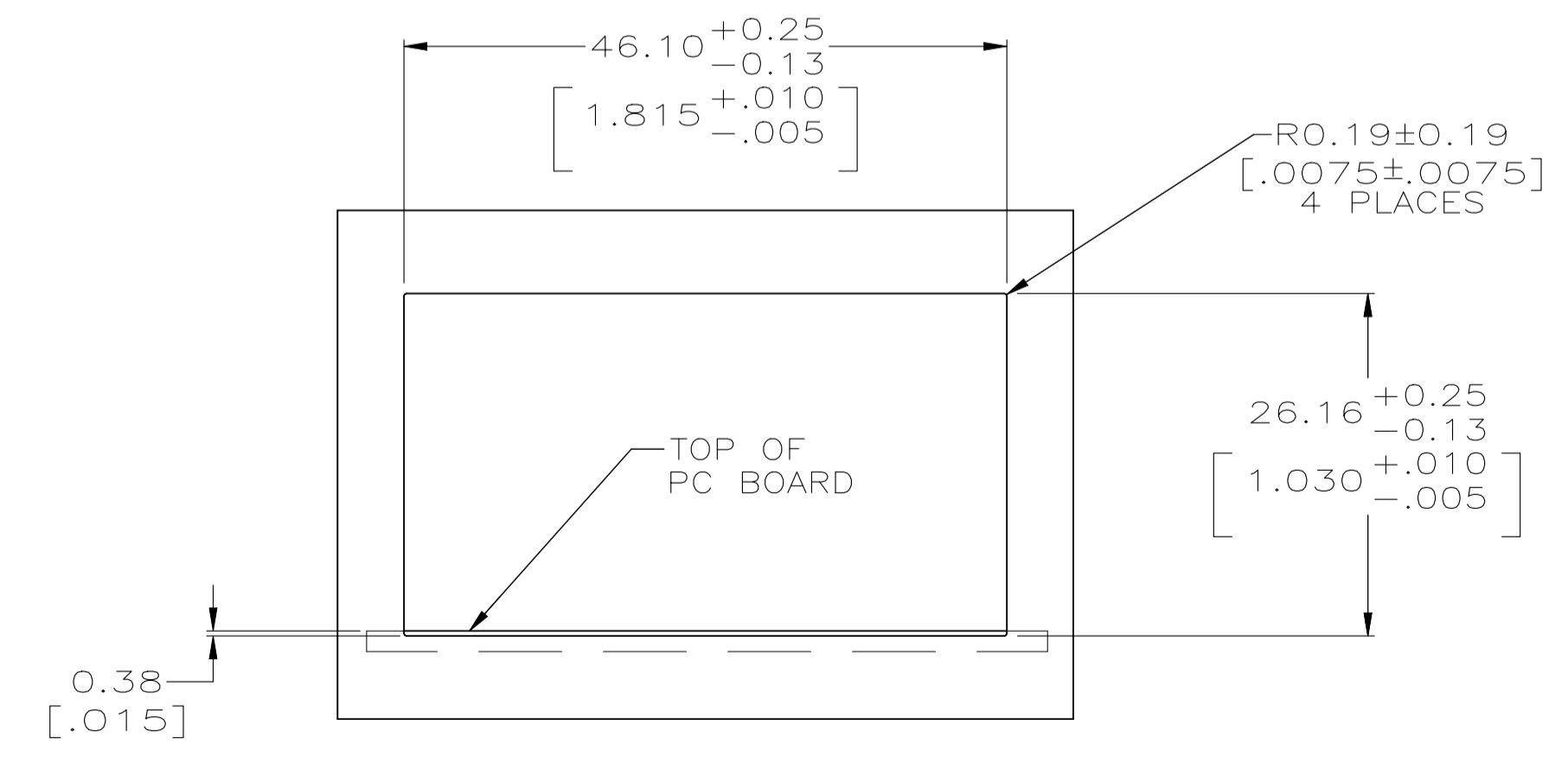
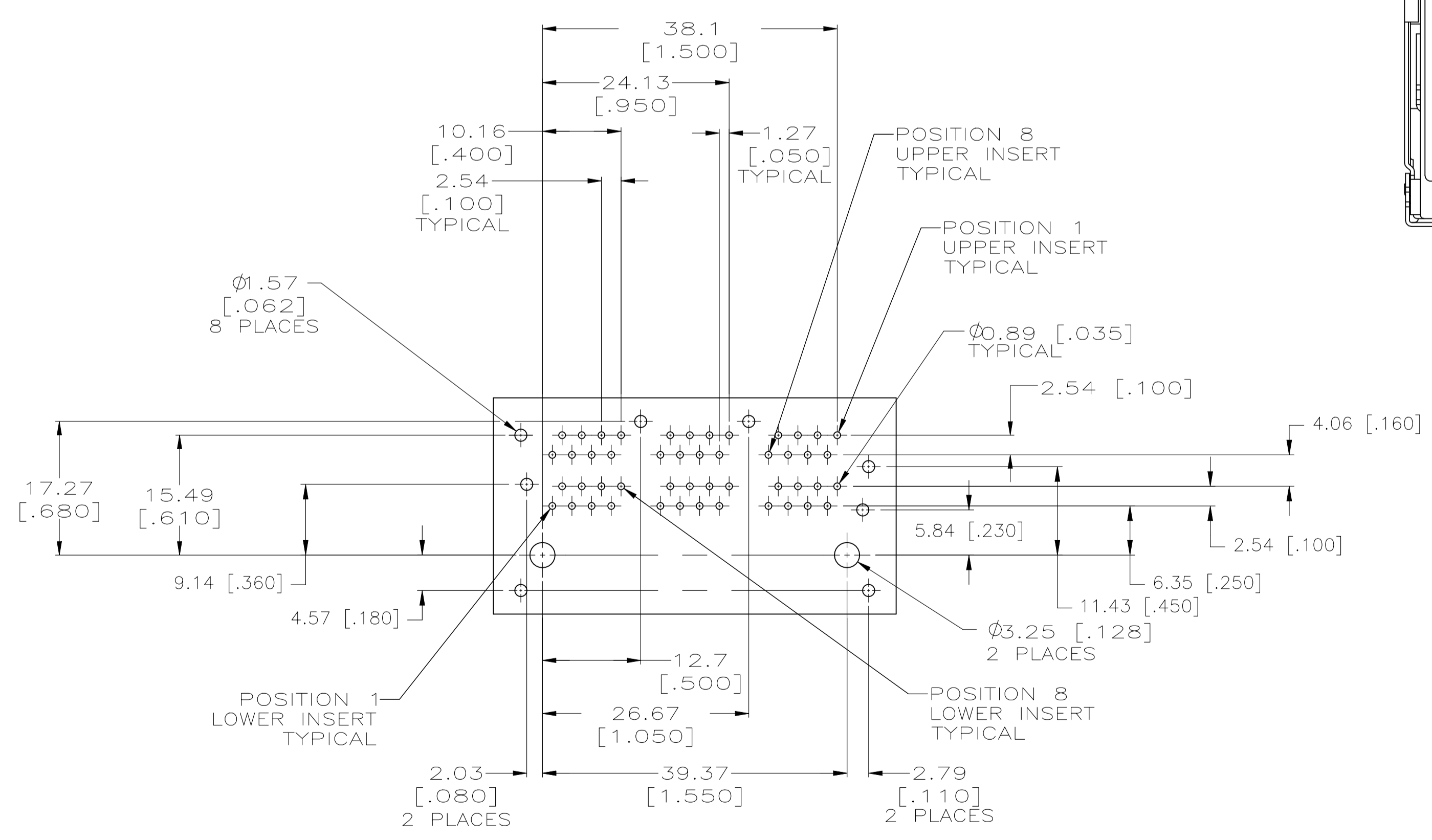
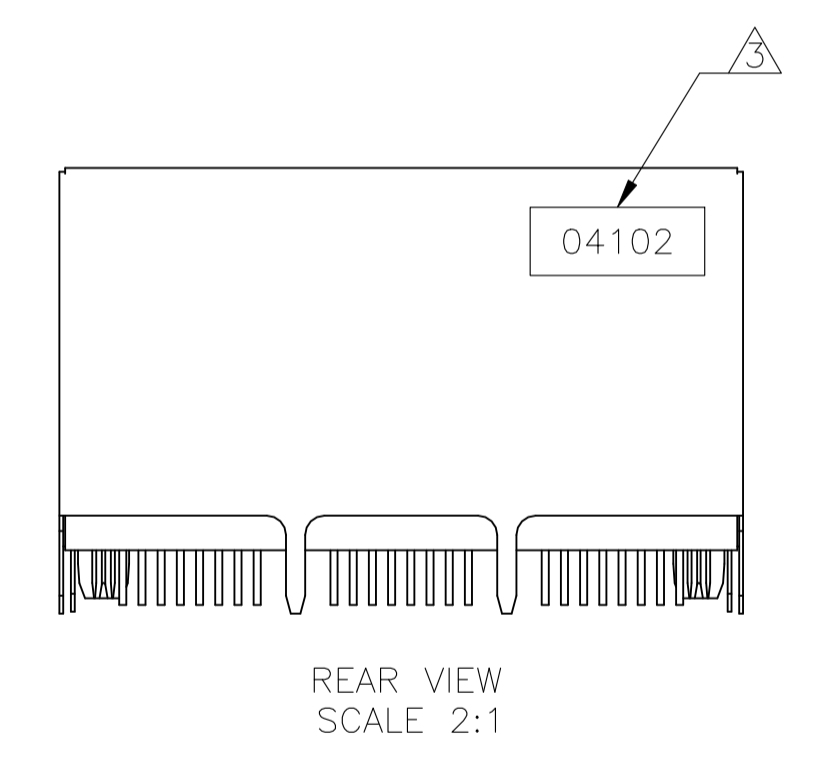
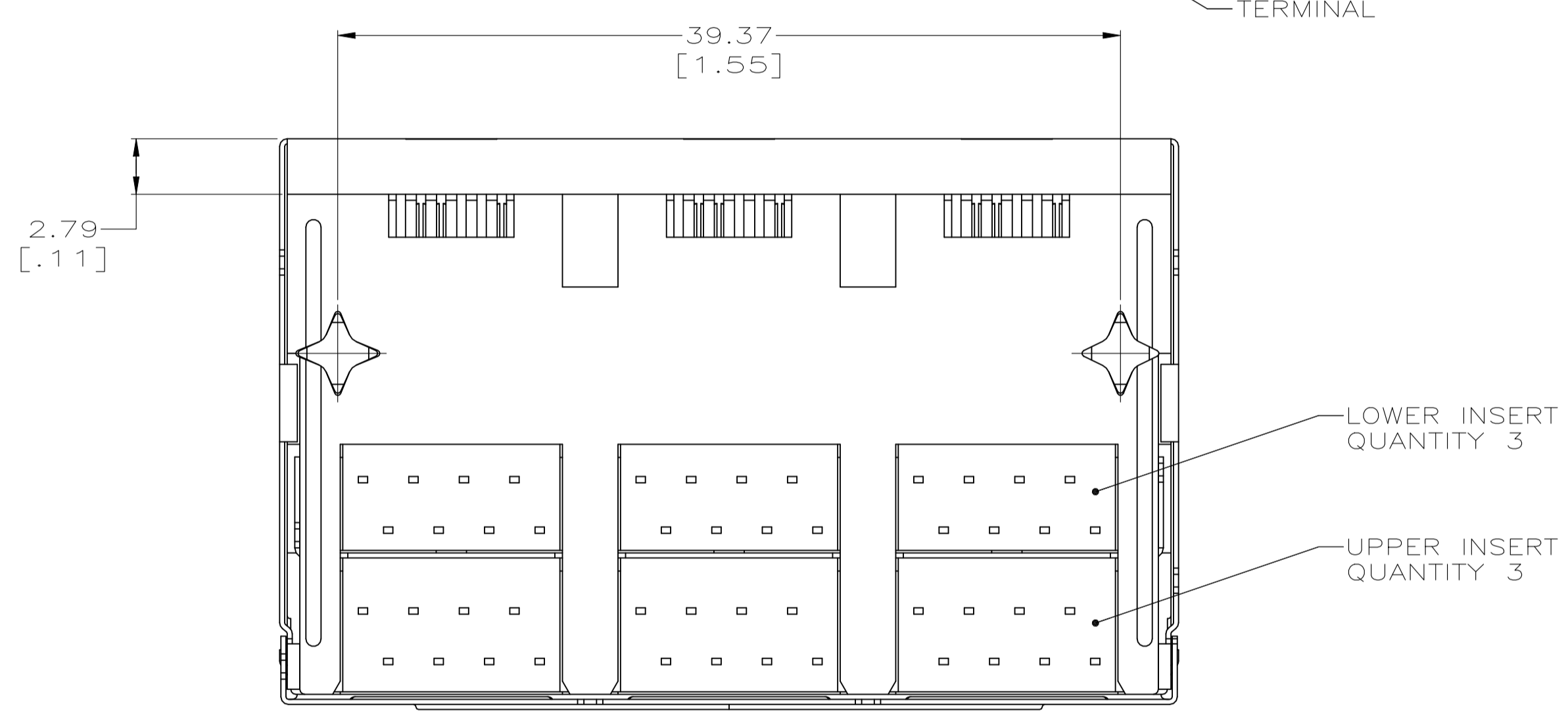
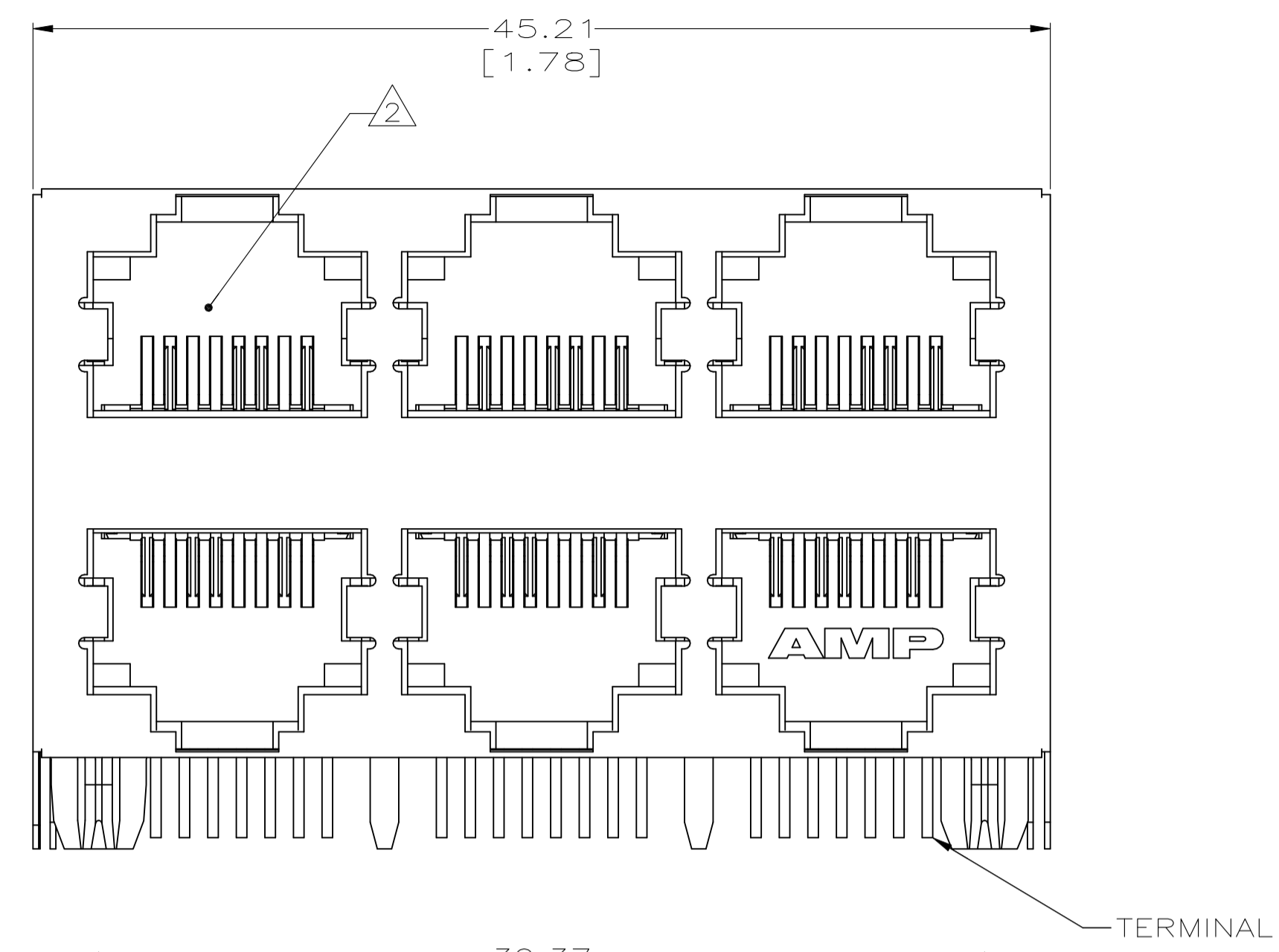
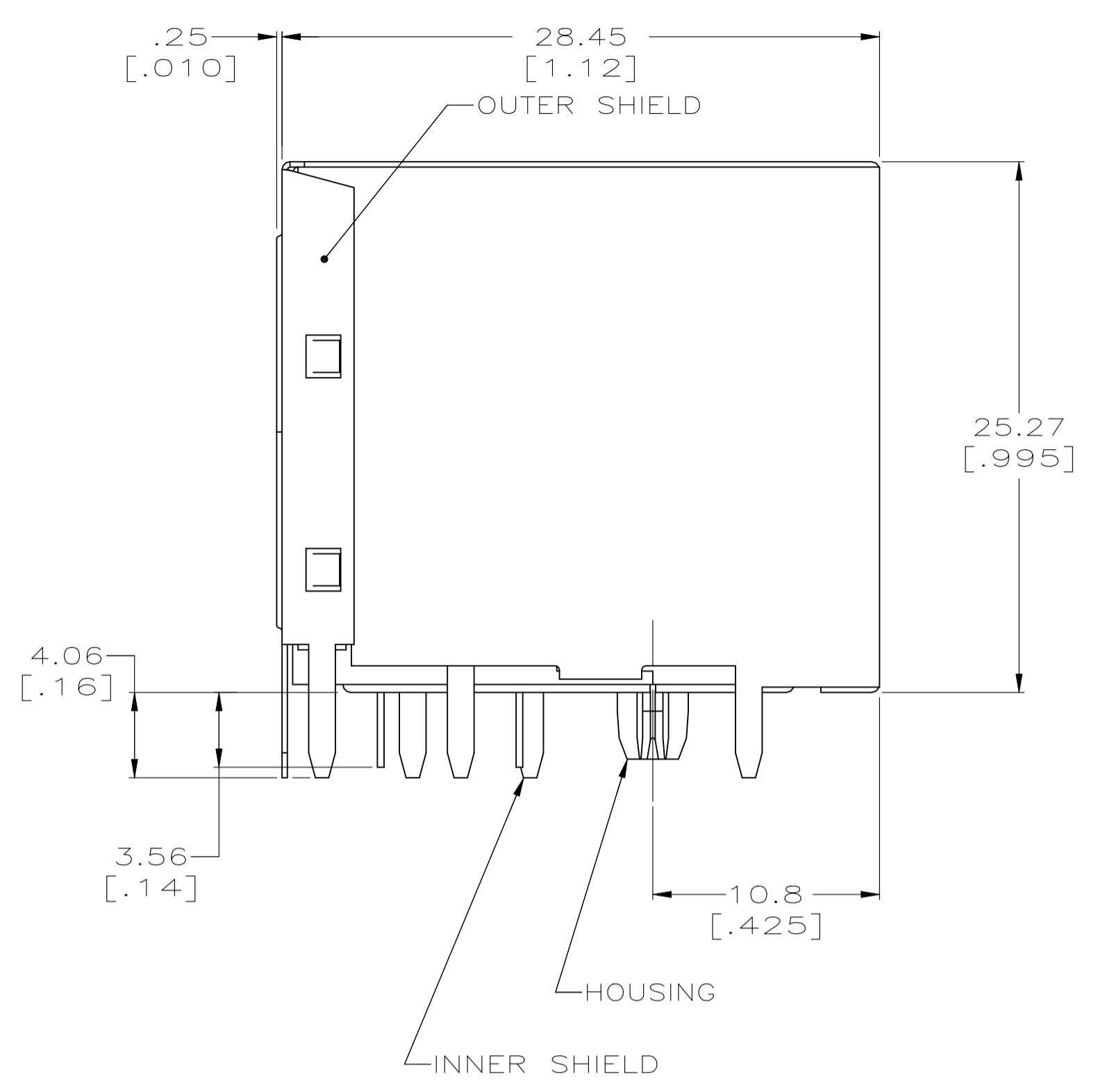


LOC		DIST		REVISIONS			
AA	22	REV	DATE	BY	APP'D	DATE	BY
A1	REVISED	ECR-08-031628	03DEC08	AZ	SY		



△ MATERIAL:
 HOUSING - PCT POLYESTER, BLACK, UL94V-0.
 OVERMOLDED TERMINAL ARRAY - PBT, BROWN.
 TERMINALS - 0.33 [.013] THICK PHOS BRONZE
 PLATED WITH 1.27um [.000050] MIN THICK
 HARD GOLD IN LOCALIZED AREA AND 3.81um
 [.000150] MIN THICK MATTE TIN IN SOLDER
 AREA OVER 1.27um [.000050] MIN THICK
 NICKEL UNDERPLATE.
 SHIELDS - 0.25 [.010] THICK COPPER ALLOY
 PLATED WITH 1.27 um [.000050] MINIMUM NICKEL
 AND 2.03 um [.000080] MINIMUM HOT TIN DIP
 ON PCB GROUND TABS.

△ JACK CAVITY CONFORMS TO FCC RULES AND
 REGULATIONS, PART 68 SUBPART F.

△ DATE CODE LOCATED ON REAR OF PART
 APPROXIMATELY AS SHOWN:
 FIRST 2 DIGITS ARE LAST 2 DIGITS OF YEAR,
 SECOND 2 DIGITS ARE MANUFACTURING
 WORK WEEK,
 LAST DIGIT IS DAY OF WEEK, WITH SUNDAY = 1.

PC BOARD LAYOUT VIEWED FROM COMPONENT SIDE
 SCALE 2:1

SUGGESTED PANEL CUTOUT DIMENSIONS
 SCALE 2:1

REAR VIEW
 SCALE 2:1

5569256-1
 PART NUMBER

THIS DRAWING IS A CONTROLLED DOCUMENT.		DIN A. FERNANDEZ-DICKS 15JUN2005	Tyco Electronics Corporation Harrisburg, PA 17105-3608
DIMENSIONS: mm [INCHES]		CHK J. WESTMAN 15JUN2005	
TOLERANCES UNLESS OTHERWISE SPECIFIED:		APVD S. FLICKINGER 15JUN2005	NAME S. FLICKINGER
0. PLC ± -		PRODUCT SPEC 108-1163-2	STACKED MODULAR JACK ASSEMBLY, 2 X 3 PORT, 8 POSITION, SHIELDED, PRINTED CIRCUIT BOARD GROUND, CATEGORY 5
1. PLC ± -		APPLICATION SPEC 114-2048	SIZE A1
2. PLC ± 0.25(.01)		WEIGHT -	CAGE CODE 00779
3. PLC ± 0.13(.005)		CUSTOMER DRAWING	DRAWING NO. 5569256
4. PLC ± -		SCALE 4:1	SHEET 1 of 1
ANGLES ± -		REV A1	