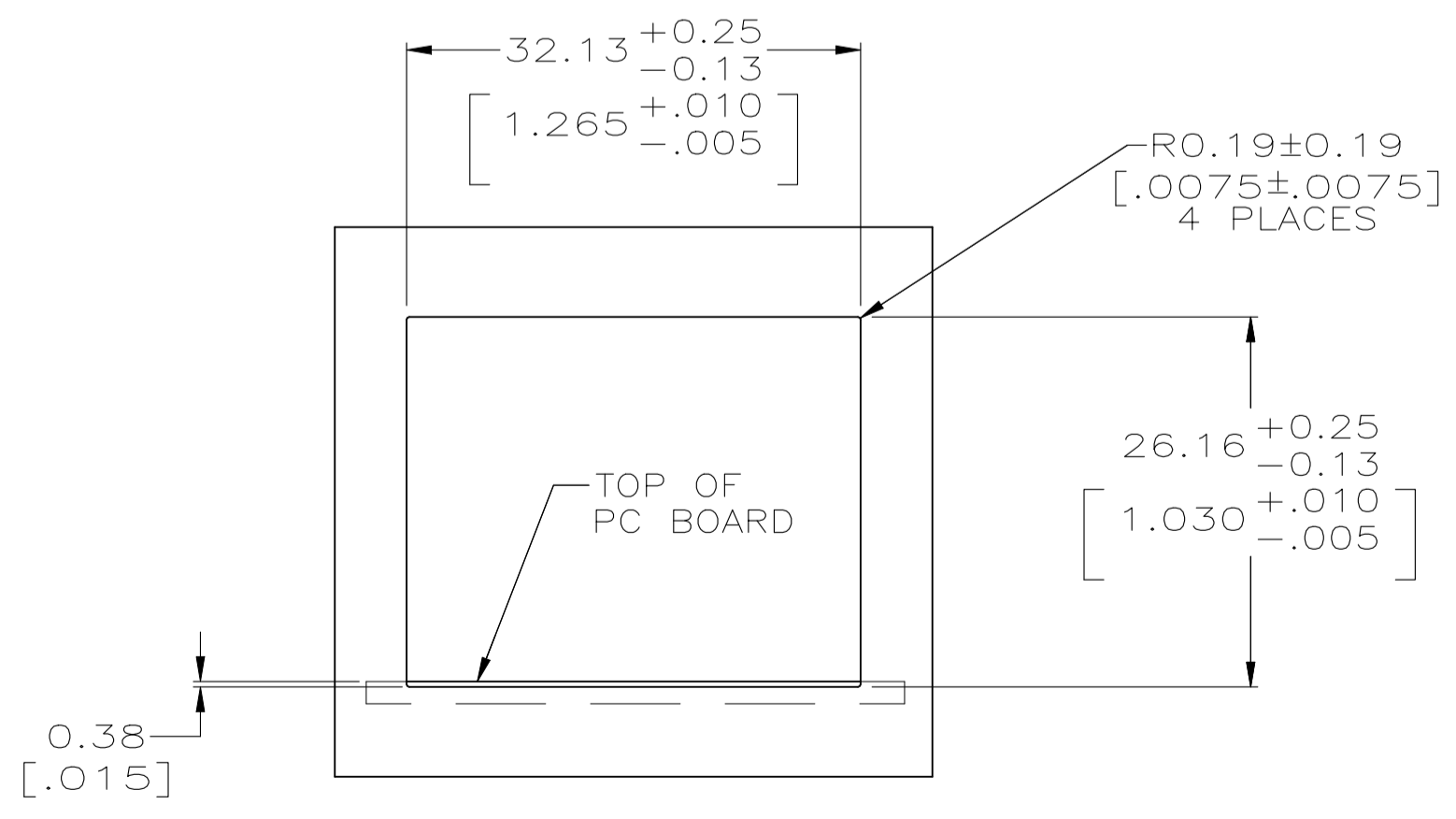
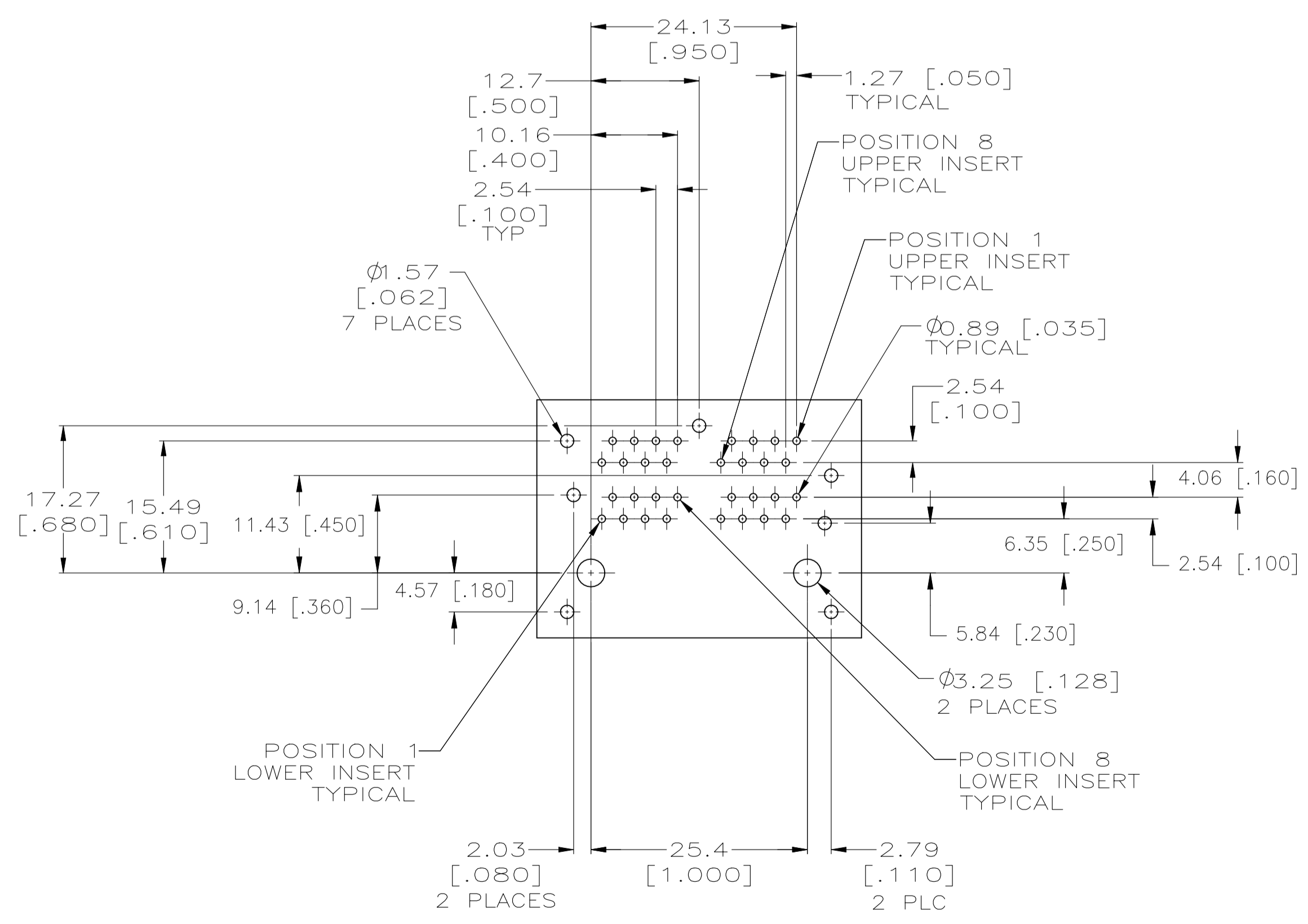
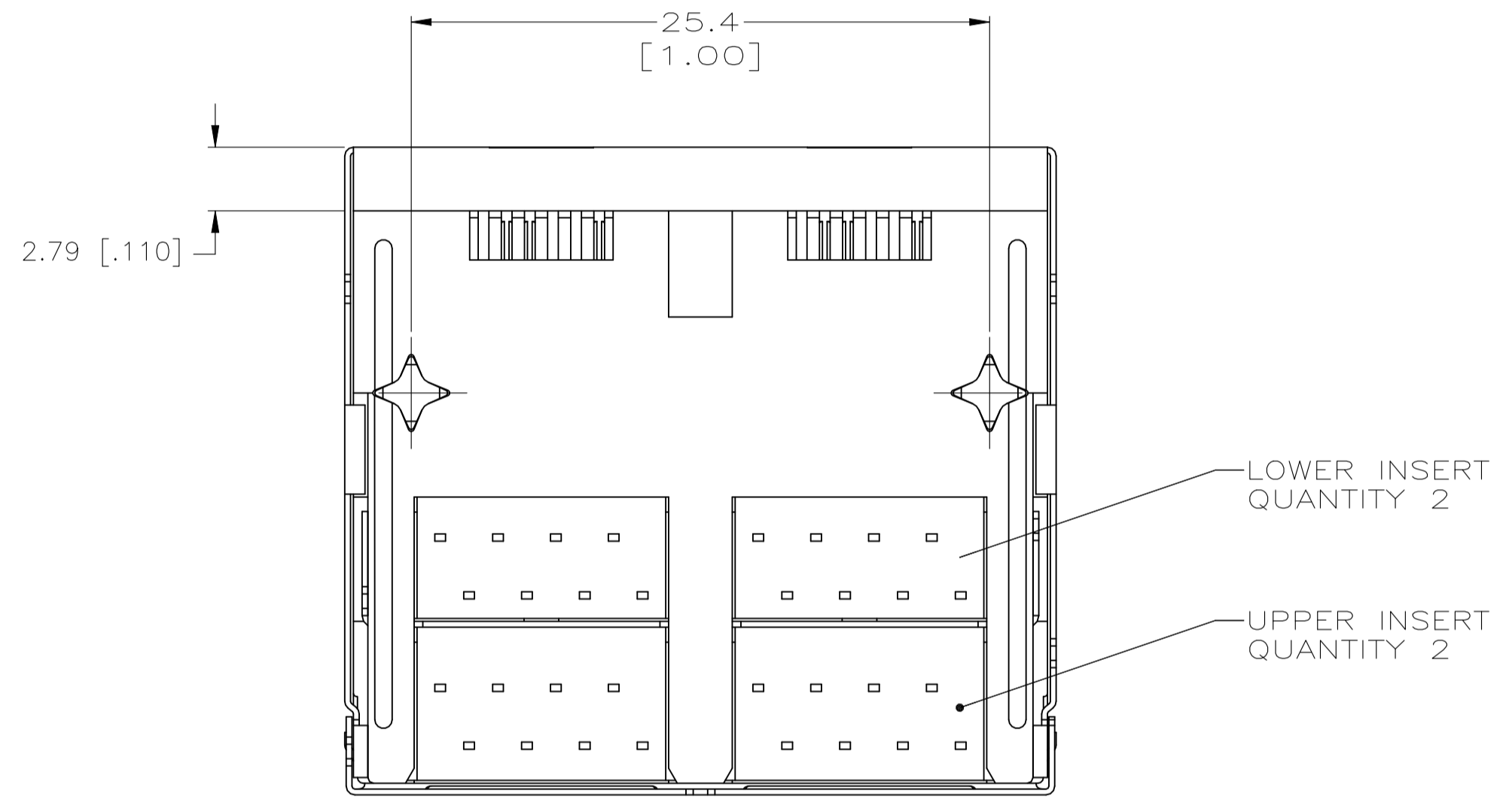
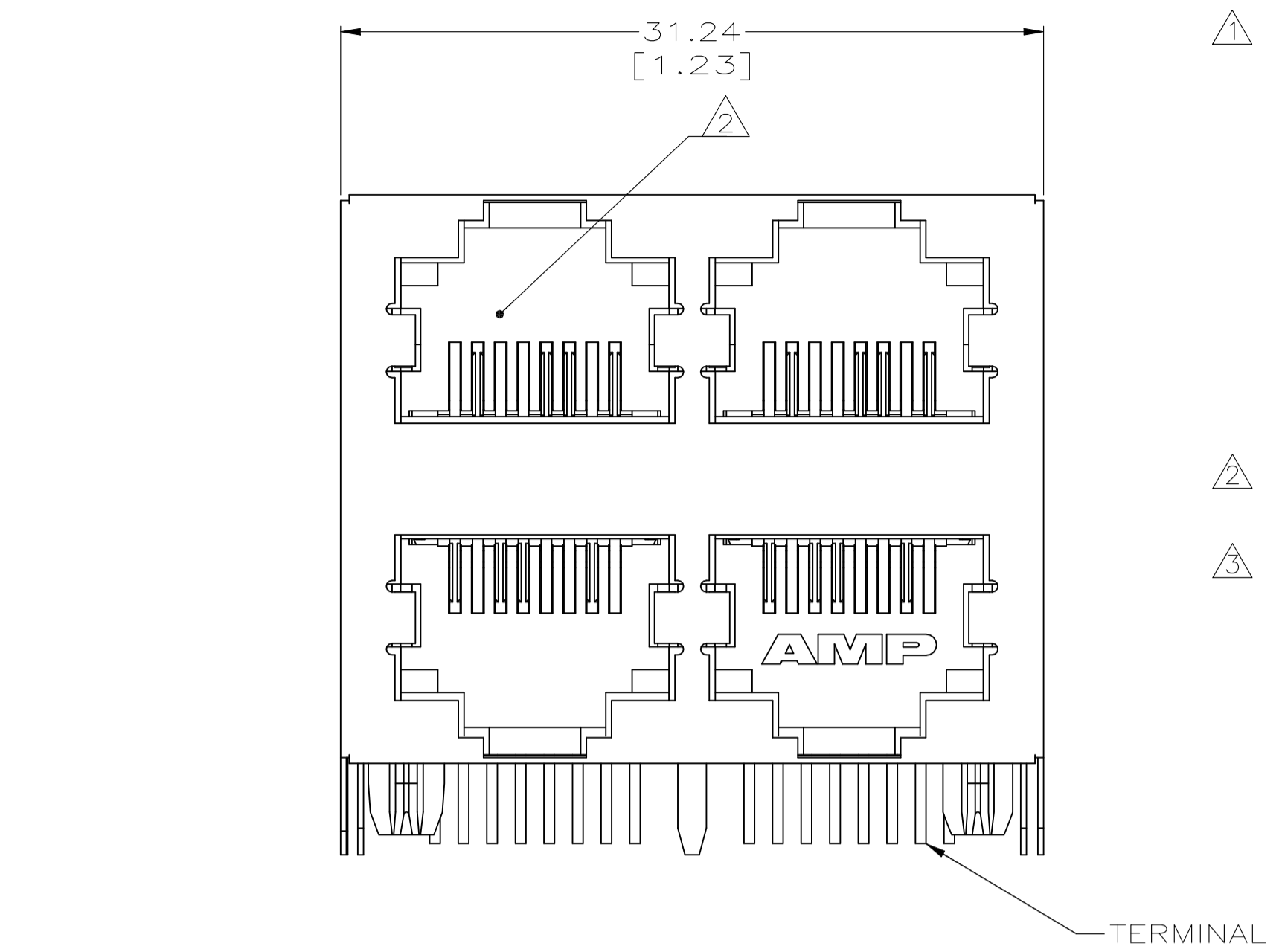
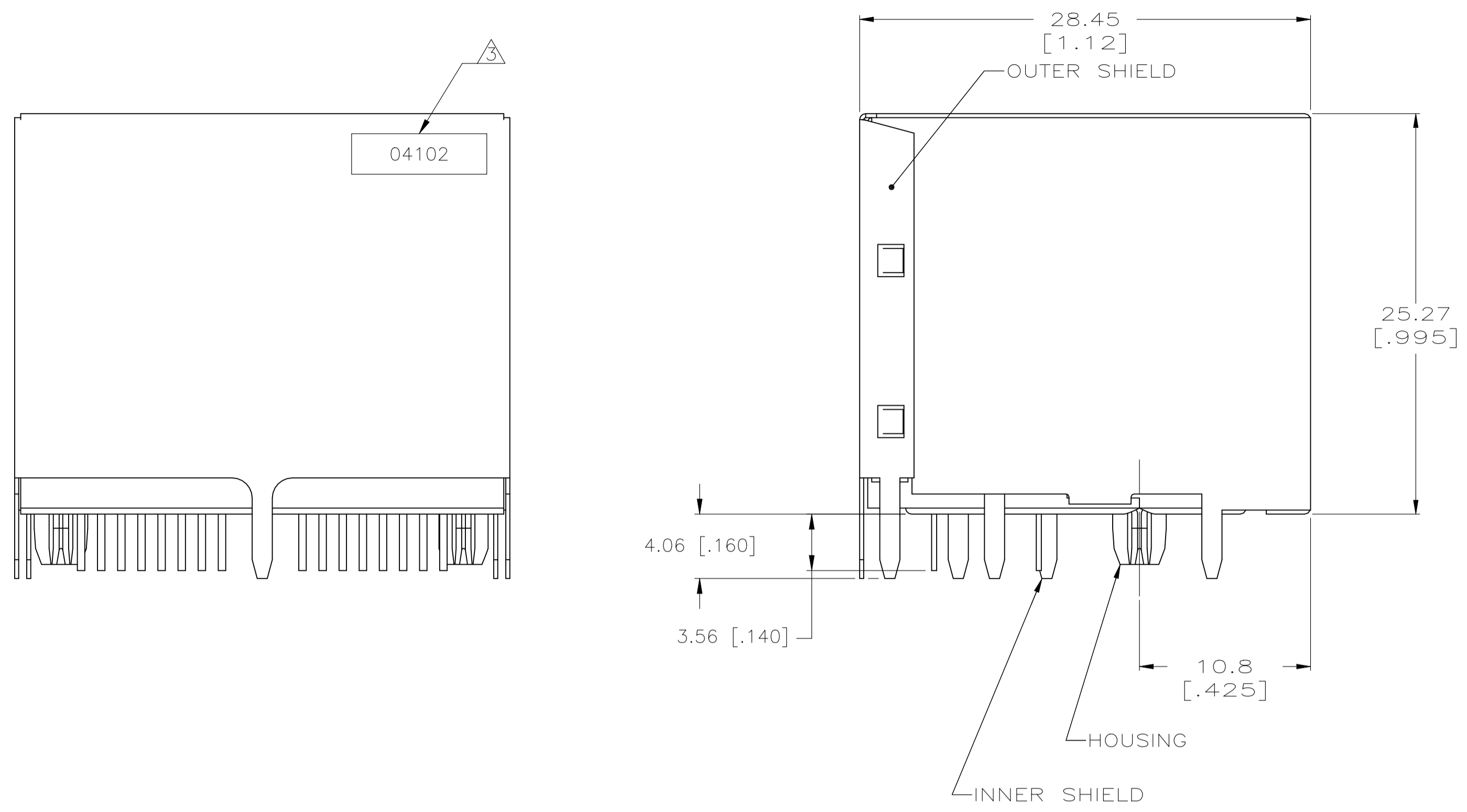


REVISIONS					
REV	DATE	DESCRIPTION	BY	CHK	APP'D
A3	19APR2023	REVISED AS PER ECR-23-169440.	JK	WH	

**MATERIAL:**  
 HOUSING - PCT POLYESTER, BLACK, UL94V-0.  
 OVERMOLDED TERMINAL ARRAY - PBT, BROWN.  
 TERMINALS - 0.33 [.013] THICK PHOS BRONZE PLATED WITH 1.27um [.000050] MIN THICK HARD GOLD IN LOCALIZED AREA AND 3.81um [.000150] MIN THICK MATTE TIN IN SOLDER AREA OVER 1.27um [.000050] MIN THICK NICKEL UNDERPLATE.  
 OUTER SHIELD AND INNER SHIELD - 0.25 [.010] THICK COPPER ALLOY PLATED WITH 1.27 um [.000050] MINIMUM NICKEL AND 2.03 um [.000080] MINIMUM HOT TIN DIP ON PCB GROUND TABS.

**JACK CAVITY CONFORMS TO FCC RULES AND REGULATIONS, PART 68 SUBPART F.**

**DATE CODE LOCATED ON REAR OF PART APPROXIMATELY AS SHOWN:  
 FIRST 2 DIGITS ARE LAST 2 DIGITS OF YEAR, SECOND 2 DIGITS ARE MANUFACTURING WORK WEEK, LAST DIGIT IS DAY OF WEEK, WITH SUNDAY = 1.**



SUGGESTED PANEL CUTOUT DIMENSIONS  
 SCALE 2:1

PC BOARD LAYOUT VIEWED FROM COMPONENT SIDE  
 SCALE 2:1

5569255-1  
 PART NUMBER

THIS DRAWING IS A CONTROLLED DOCUMENT.		DIN A. FERNANDEZ-DICKS 14JUN2005		TE Connectivity	
DIMENSIONS: mm [INCHES]		TOLERANCES UNLESS OTHERWISE SPECIFIED:		APVD S. FLICKINGER 14JUN2005	
0. PLC	± -	PRODUCT SPEC		NAME	
1. PLC	± -	108-1163-2		STACKED MODULAR JACK ASSEMBLY, 2 X 2 PORT, 8 POSITION, SHIELDED, PRINTED CIRCUIT BOARD GROUND, CATEGORY 5	
2. PLC	± 0.25(.01)	APPLICATION SPEC		SIZE CAGE CODE DRAWING NO	
3. PLC	± 0.13(.005)	114-2048		WEIGHT 0.000000 A1 00779 C=5569255	
4. PLC	± -	CUSTOMER DRAWING		SCALE 4:1 SHEET 1 OF 1 REV A3	