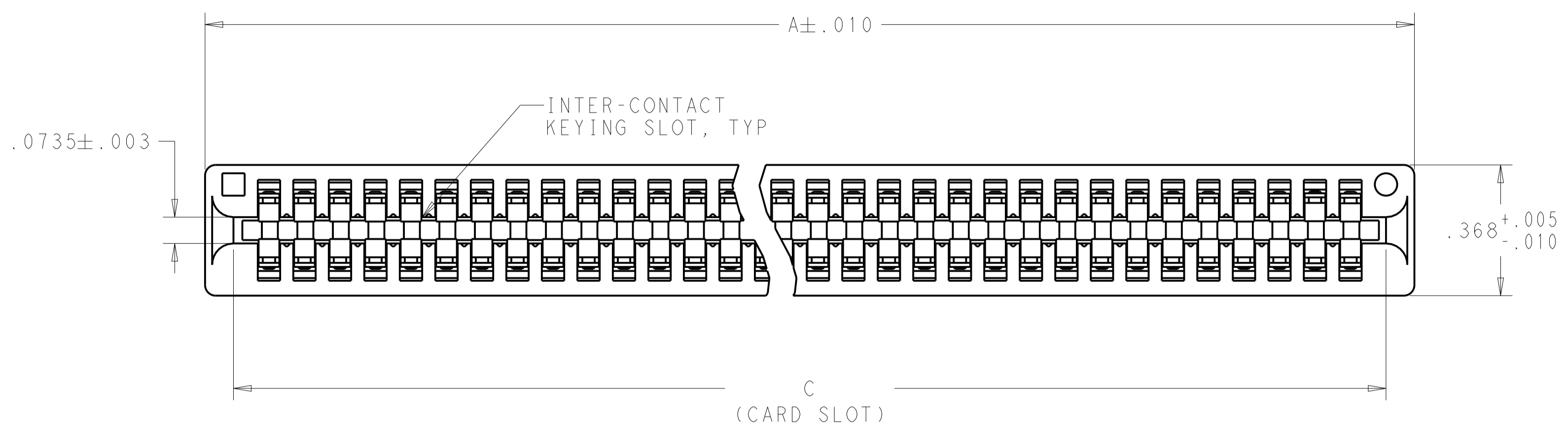
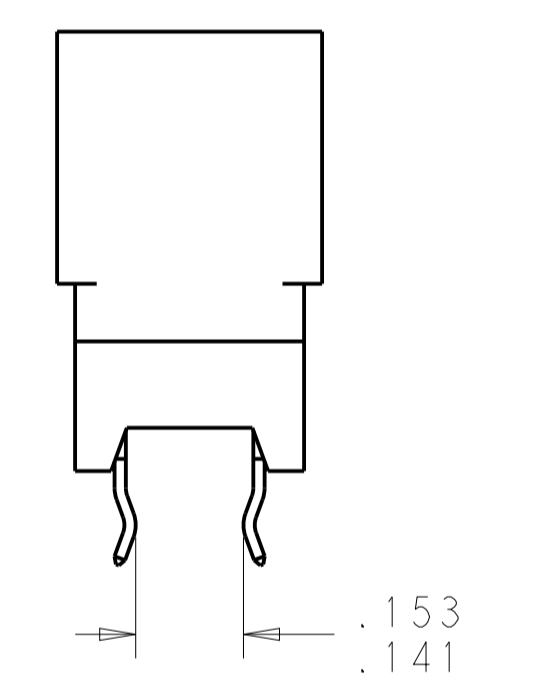
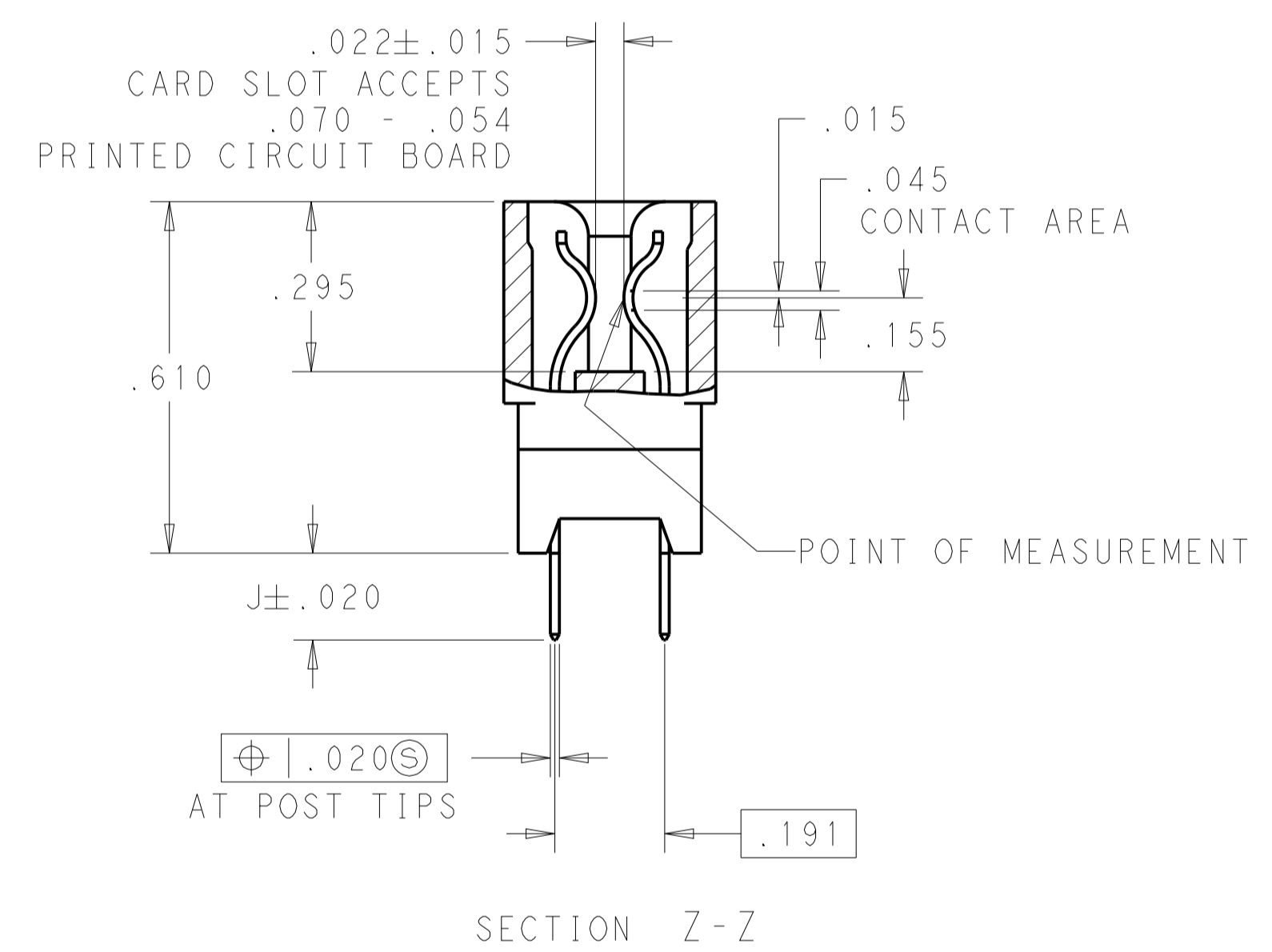
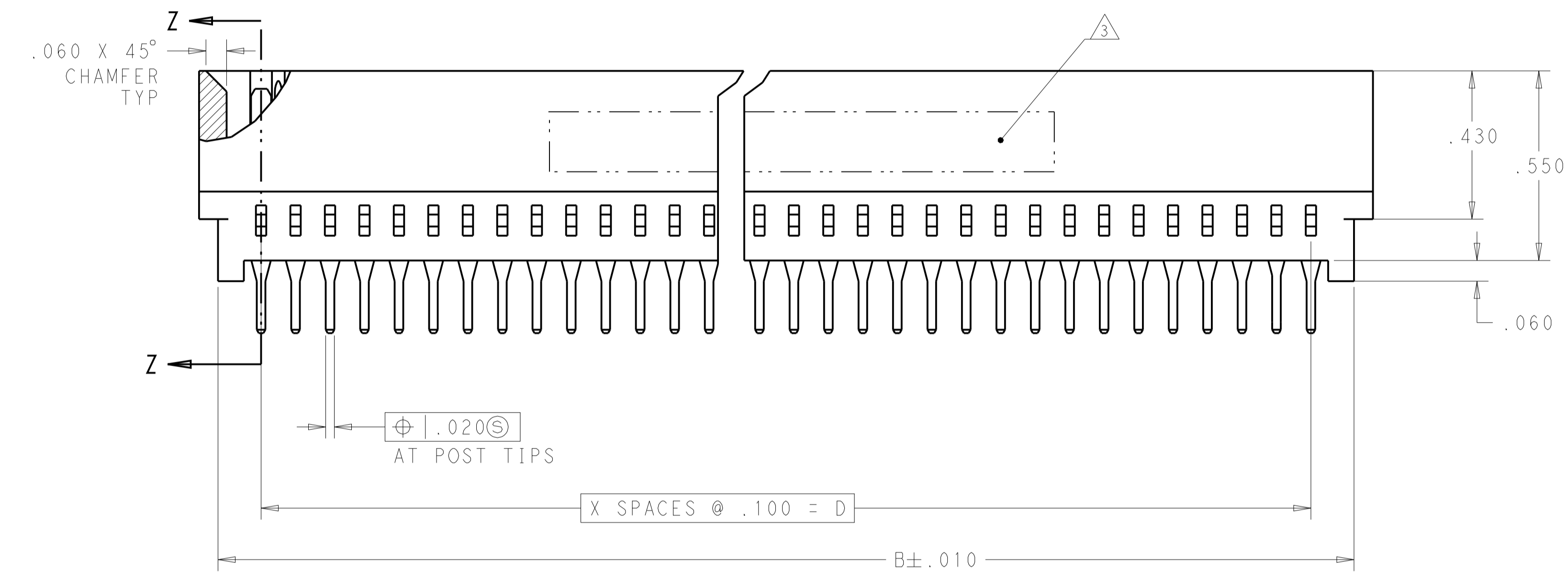


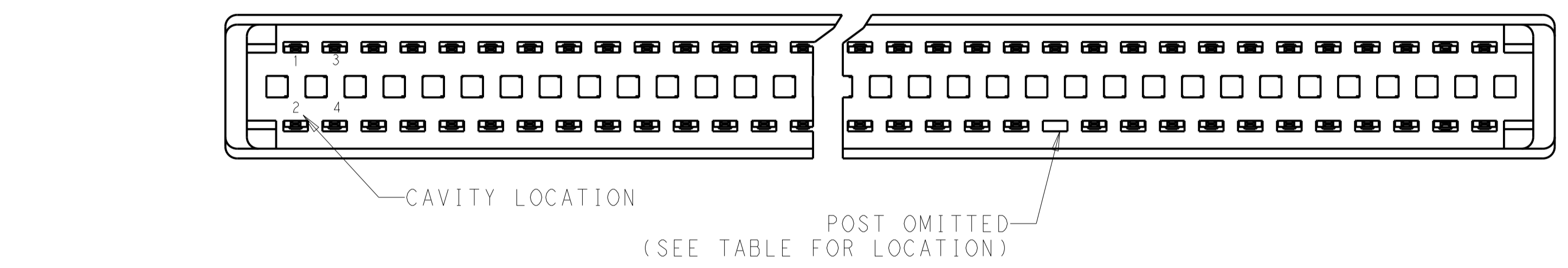
REVISIONS				
REV	LTN	DESCRIPTION	DATE	APVD
F8		REV PER ECR-15-018146	15DEC2015	SZ SZ
G		ECO-20-002949	24FEB2020	SZ SZ
G1		ECO-20-014510	14SEP2020	SZ SZ



- 1 MATERIAL:
HOUSING - GLASS FILLED POLYESTER, COLOR BLACK
CONTACT - PHOSPHOR BRONZE
- 2 FINISH:
(SEE TABLE FOR GOLD PLATING) IN CONTACT AREA.
.000100 MIN MATE TIN ON SOLDER POSTS. ALL OVER
.000050 MIN THK. NICKEL
- 3 AMP LOGO, TE PART NUMBER, DATE CODE AND CSA LOGO INK STAMPED WHITE (HOT STAMPED OR LAZER PRINTED) IN THE APPROXIMATE AREA SHOWN, EITHER SIDE PERMISSABLE WHEN HOUSING SIZE PERMITS
- 4. RECOMMENDED PCB FINISHED HOLE $\varnothing .040 \pm .003$
- 5 .000015 MIN
- 6 .000030 MIN
- 7 OBSOLETE PARTS: OBSOLETE CIS STREAMLINING PER D.RENAUD/D.SINISI

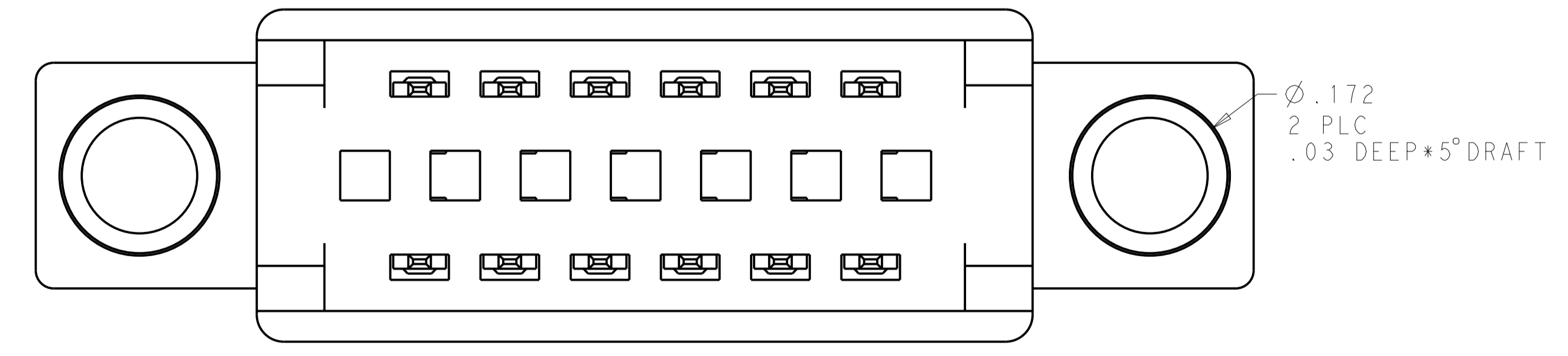
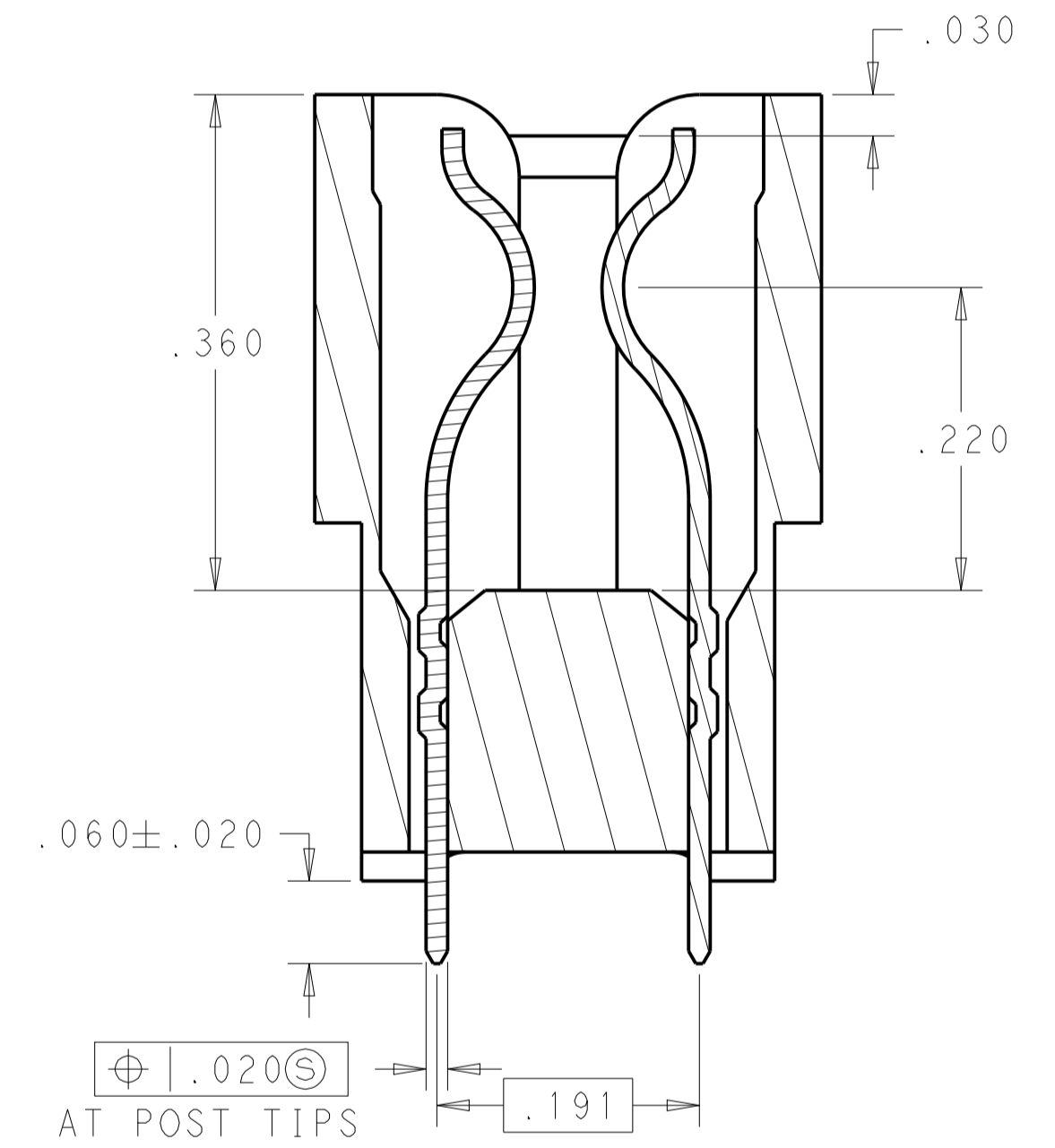
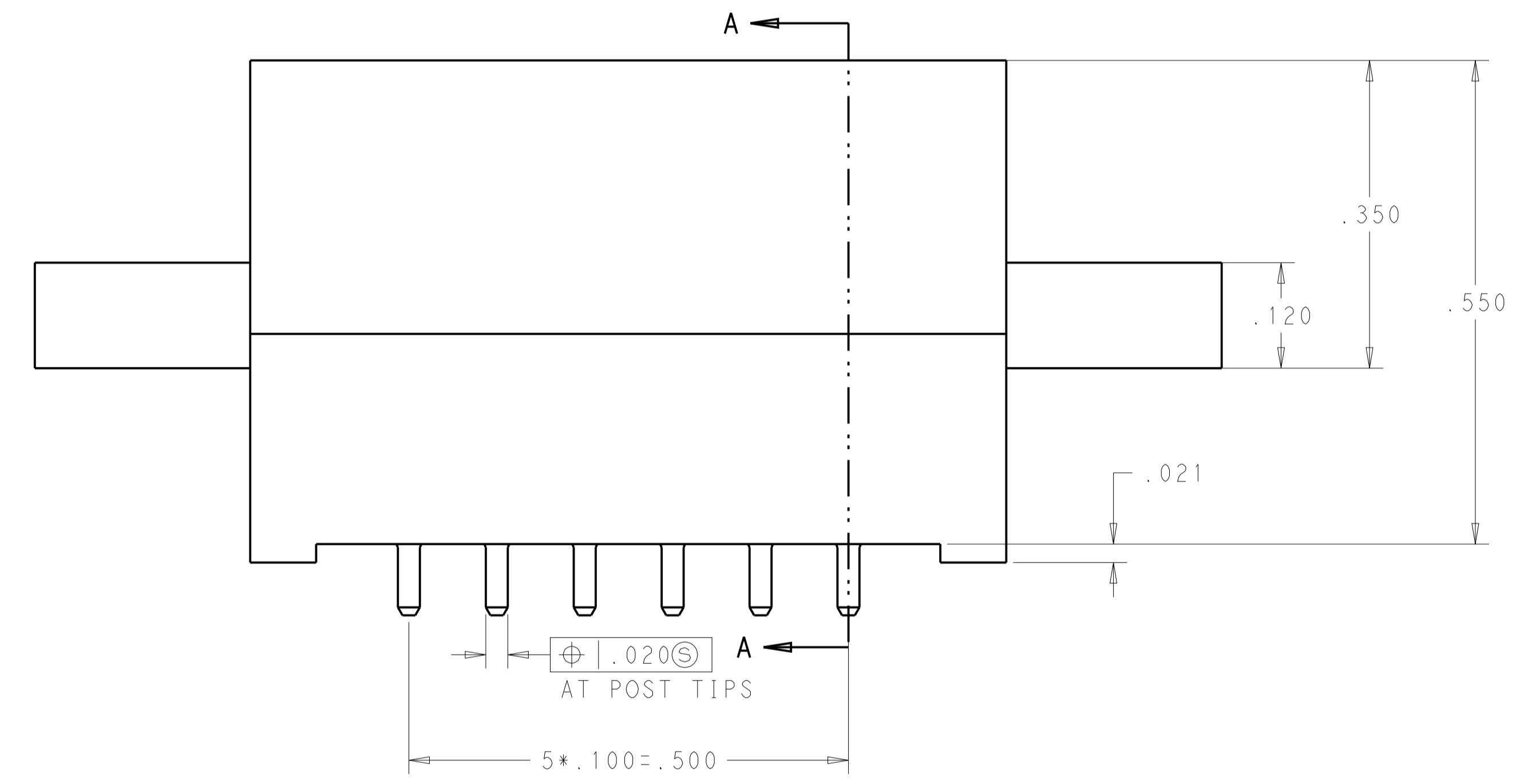
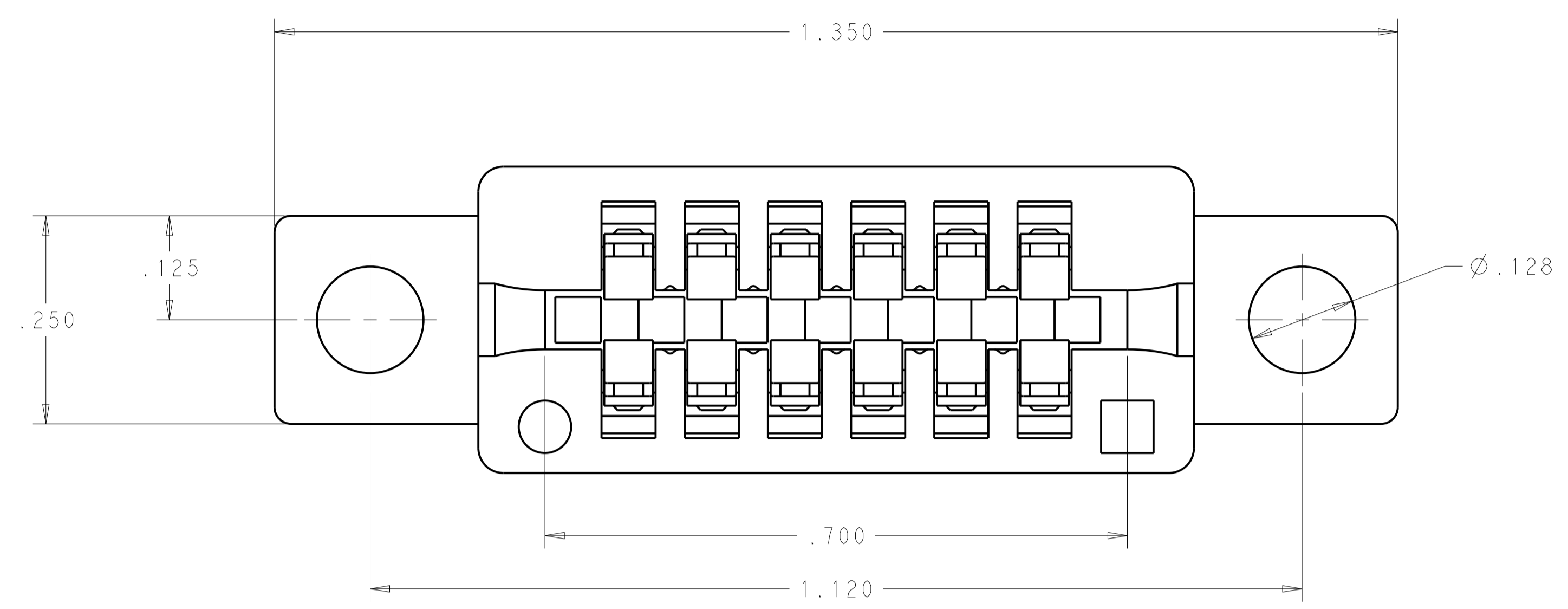


BOARD RETENTION FEATURE
8-530843-3 ONLY



THIS DRAWING IS A CONTROLLED DOCUMENT.		DWN: 30OCT2009 AWF/GRZYBOWSKI	TE Connectivity
DIMENSIONS: INCHES		CHK: E.HOWARD APVD: M.PERCHEK	
TOLERANCES UNLESS OTHERWISE SPECIFIED:		PRODUCT SPEC: 108-9039	NAME: CONNECTOR ASSEMBLY STANDARD EDGE II, .100 CENTERLINE
0 PLC \pm 1 PLC $\pm .005$ 2 PLC \pm 3 PLC \pm 4 PLC \pm ANGLES $\pm .2$		APPLICATION SPEC: 114-13018	
MATERIAL:	FINISH:	WEIGHT:	RESTRICTED TO:
CUSTOMER DRAWING		SIZE: A1	SCALE: 15:4
		CAGE CODE: 5530843	SHEET 1 OF 5
		REV: G1	

REVISIONS				
P.	LTN	DESCRIPTION	DATE	APVD
-	-	SEE SHEET 1	-	-

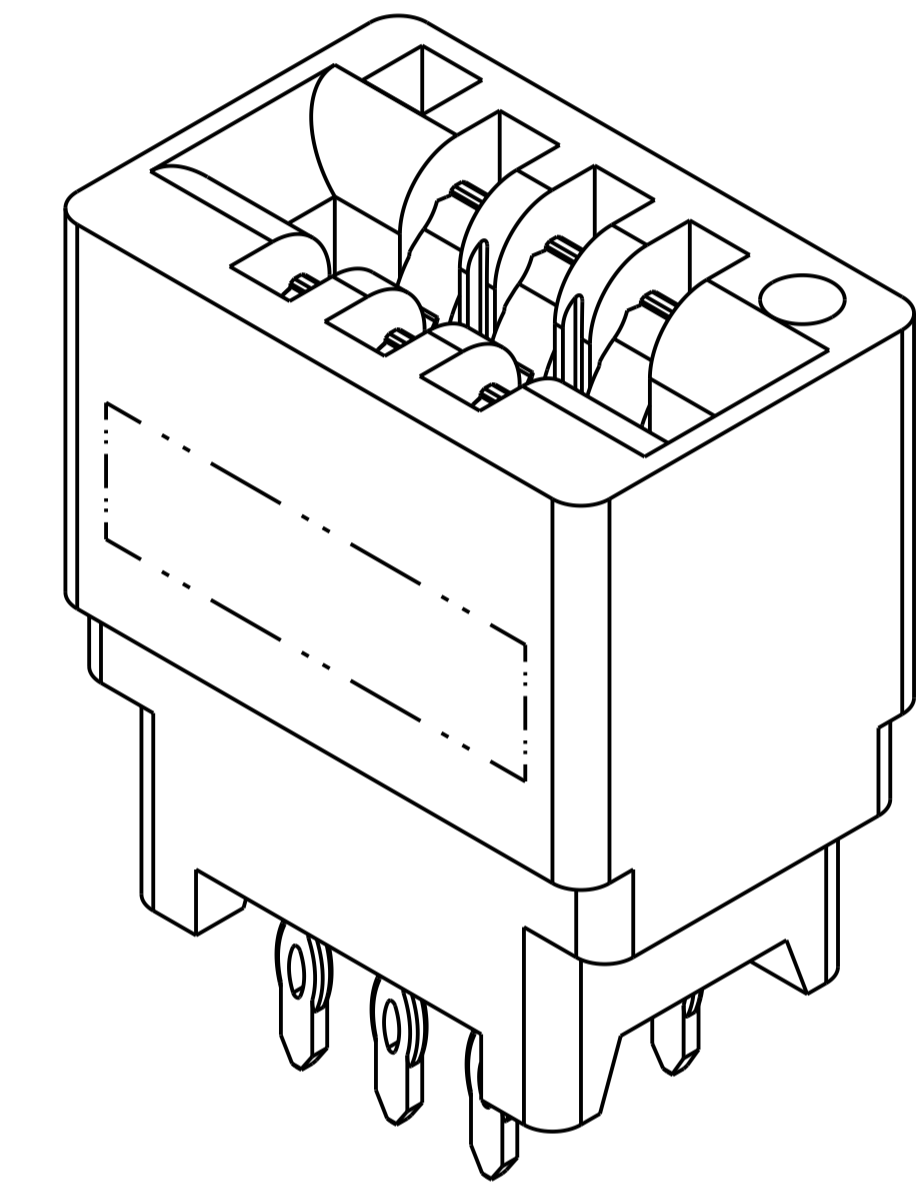
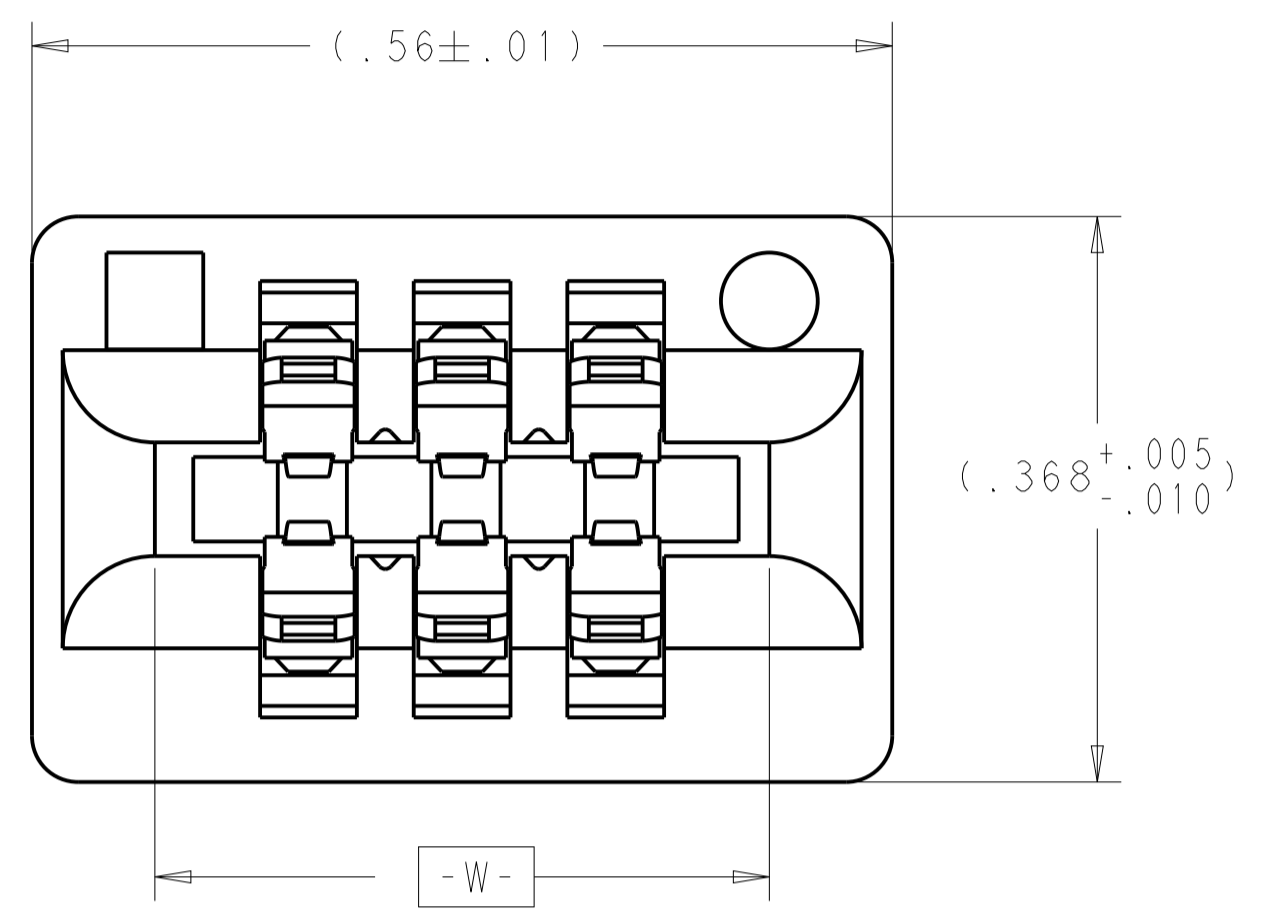


PART 8-5530843-6

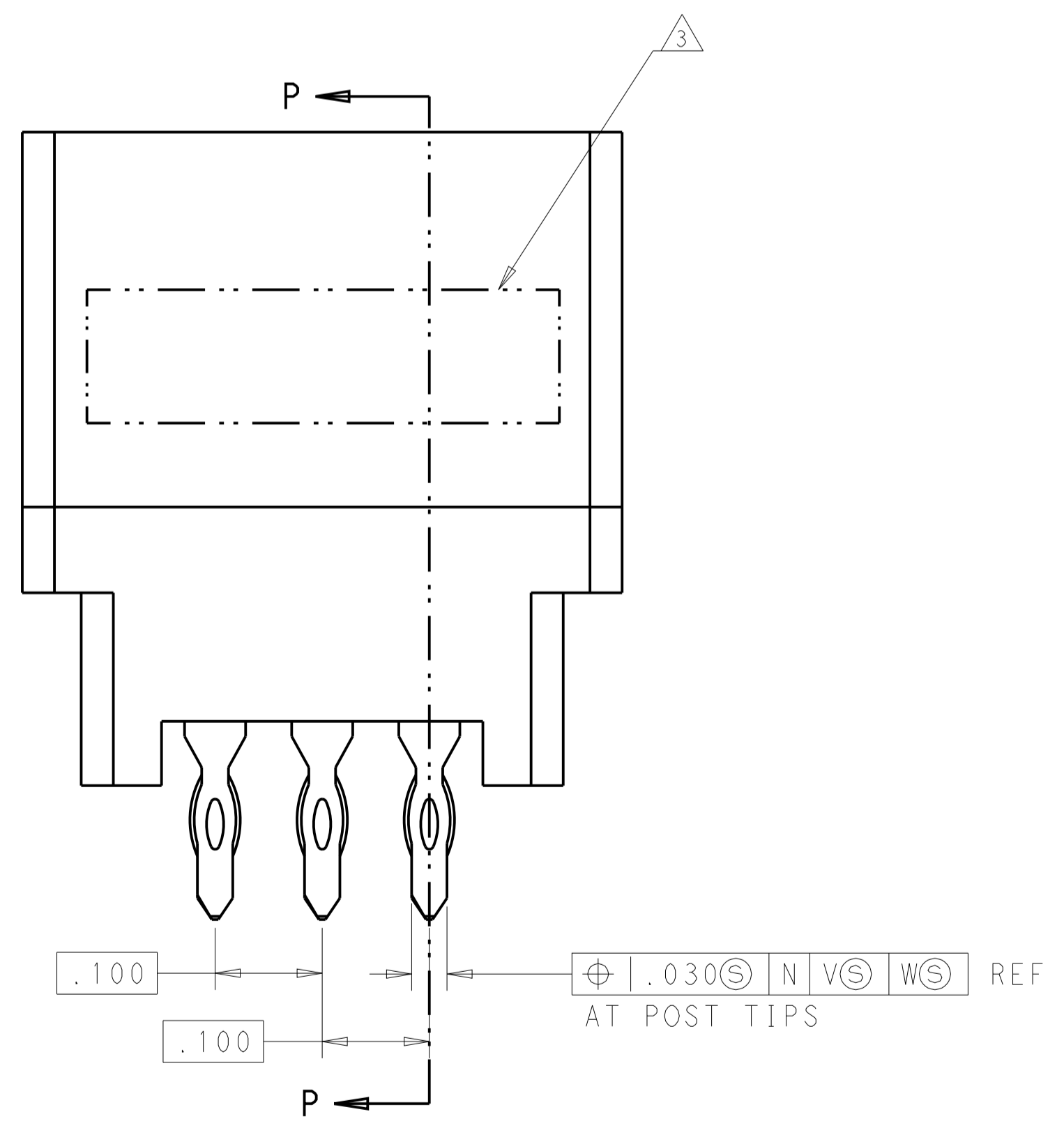
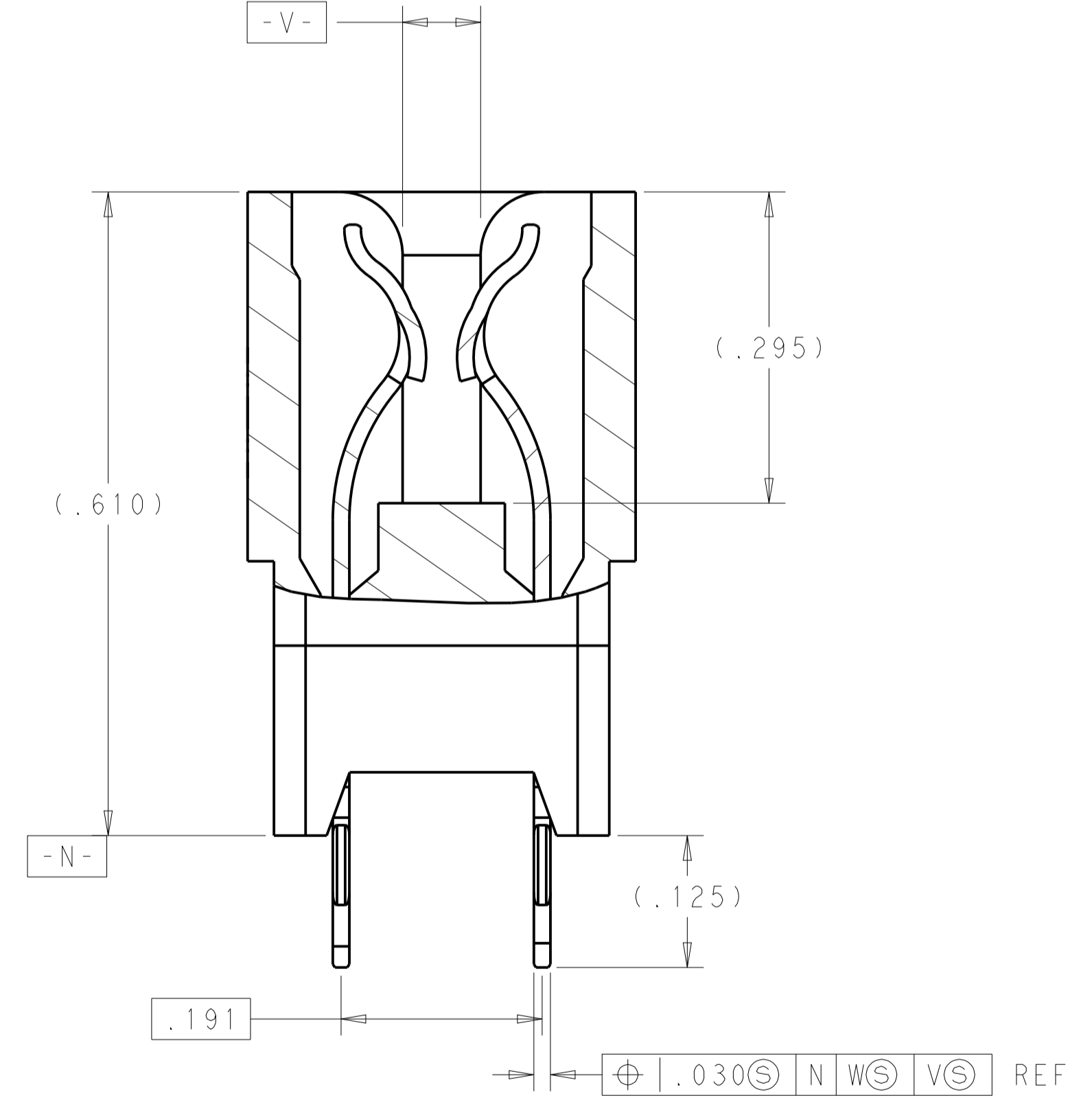
THIS DRAWING IS A CONTROLLED DOCUMENT.		DWN: AWF/GRZYBOWSKI 30OCT2009 CHK: E. HOWARD APVD: M. PERCHERK 30OCT2009	TE Connectivity
DIMENSIONS: INCHES	TOLERANCES UNLESS OTHERWISE SPECIFIED: 0 PLC ±. 1 PLC ±.005 2 PLC ±. 3 PLC ±. 4 PLC ±. ANGLES ±.2	PRODUCT SPEC: 108-9039 APPLICATION SPEC: 114-13018 WEIGHT:	
MATERIAL: -		FINISH: -	RESTRICTED TO: - SCALE: 15:4 SHEET: 2 OF 5 REV: G1 CUSTOMER DRAWING

REVISIONS				
P.	LTN.	DESCRIPTION	DATE	APVD.
-	-	SEE SHEET 1	-	-

- 1 MATERIAL:
HOUSING - GLASS FILLED POLYESTER, COLOR BLACK
CONTACT - HIGH CONDUCTIVITY COPPER ALLOY
- 2 FINISH:
MATING AREA - NOBLE METAL OVER NICKEL
PRESS-FIT TAIL - MATTE TIN OVER NICKEL
- 3 TE PART NUMBER, DATE CODE MARKED IN THE APPROXIMATE AREA SHOWN, EITHER SIDE PERMISSABLE WHEN HOUSING SIZE PERMITS
- 4 PRESS-FIT TYPE CONNECTOR SHARE THE SAME PC BOARD HOLE LAYOUT AND MATING BOARD WITH SOLDER TYPE CONNECTOR, A CUSTOMIZED SEATING TOOL IS REQUIRED TO INSTALL PRESS-FIT TYPE CONNECTORS CORRECTLY ONTO PC BOARD.



CARD SLOT ACCEPTS
 .070 - .054
 PRINTED CIRCUIT BOARD



6 PART 9-5530843-3
 (PRESS-FIT TYPE)

SECTION P-P

THIS DRAWING IS A CONTROLLED DOCUMENT.		DWN: 30OCT2009 AWF/GRZYBOWSKI	
DIMENSIONS: INCHES		CHK: E. HOWARD APVD: M. PERCZYNSKI 30OCT2009	
TOLERANCES UNLESS OTHERWISE SPECIFIED:		PRODUCT SPEC	NAME: CONNECTOR ASSEMBLY STANDARD EDGE II, .100 CENTERLINE
0 PLC ±.005		APPLICATION SPEC	
1 PLC ±.005		114-13018	RESTRICTED TO
2 PLC ±.005		WEIGHT	A100779C=5530843
3 PLC ±.005		CUSTOMER DRAWING	SCALE 15:4 SHEET 3 OF 5 REV G1
4 PLC ±.005			
ANGLES ±.2			
MATERIAL			
FINISH			

REVISIONS				
P.	LTN	DESCRIPTION	DATE	APPV
-	-	SEE SHEET 1	-	-

OBSOLETE	8-5530843-2
OBSOLETE	8-5530843-1
OBSOLETE	4-5530843-1
OBSOLETE	1-5530843-9
OBSOLETE	1-5530843-2
PART NUMBER	

			Z	J	D	C	B	A	X	NO. OF DUAL POSITIONS	PART NUMBER	
(G)	5, 6, 13, 14, 15, 16	3, 4, 19, 20, 21, 22	△	1.286	.125	1.100	1.300	1.350	1.460	11	12	9-5530843-5
(G)	5, 6, 7, 8, 11, 12, 13, 14.	-	△	.886	.125	0.700	0.900	0.950	1.060	7	8	9-5530843-4
(G)	-	-	△	.386	.125	.200	.400	.450	.560	2	3	9-5530843-3
(G)	3, 4, 21, 22, 25, 26, 29, 30, 33, 34	-	△	1.886	.125	1.700	1.900	1.950	2.060	17	18	9-5530843-2
(F8)	9, 10, 11, 12, 19, 20, 21, 22, 29, 30, 31, 32	-	△	2.086	.125	1.900	2.100	2.150	2.260	19	20	9-5530843-1
(F6)	13, 14, 15, 16, 27, 28, 29, 30	-	△	2.086	.125	1.900	2.100	2.150	2.260	19	20	9-5530843-0
(F4)	3, 4, 5, 6, 9, 10, 13, 14, 17, 18, 19, 20, 21, 22	-	△	1.286	.125	1.100	1.300	1.350	1.460	11	12	8-5530843-9
(F4)	11, 12, 23, 24, 29, 30, 35, 36, 37, 38	-	△	2.086	.125	1.900	2.100	2.150	2.260	19	20	8-5530843-8
	17, 18, 19, 20	-	△	1.286	.125	1.100	1.300	1.350	1.460	11	12	8-5530843-7
			△	0.686	-	.500	.700	-	-	5	6	8-5530843-6
			△	1.286	.187	1.100	1.300	1.350	1.460	11	12	8-5530843-5
	19, 20, 21, 22, 23, 24, 27, 28, 31, 32, 35, 36, 39, 40, 43, 44, 45, 46, 47, 48, 51, 52, 55, 56, 59, 60	-	△	3.186	.125	3.000	3.200	3.250	3.360	30	31	8-5530843-4
		3, 4, 5, 6, 19, 20, 21, 22	△	1.286	.125	1.100	1.300	1.350	1.460	11	12	8-5530843-3
		-	△	.386	.125	.200	.400	.450	.560	2	3	7-5530843-7
(G1)			△	.586	.187	.400	.600	.650	.760	4	5	5530843-9
			△	.686	.187	.500	.700	.750	.860	5	6	7-5530843-6
			△	.686	.125	.500	.700	.750	.860	5	6	7-5530843-5
			△	3.186	.125	3.000	3.200	3.250	3.360	30	31	7-5530843-0
			△	3.186	.125	3.000	3.200	3.250	3.360	30	31	6-5530843-5
			△	6.086	.125	5.900	6.100	6.150	6.260	59	60	5-5530843-5
			△	2.086	.125	1.900	2.100	2.150	2.260	19	20	5-5530843-4
			△	1.786	.125	1.600	1.800	1.850	1.960	16	17	5-5530843-3
			△	1.086	.125	.900	1.100	1.150	1.260	9	10	5-5530843-0
			△	1.886	.125	1.700	1.900	1.950	2.060	17	18	2-5530843-7
			△	3.586	.125	3.400	3.600	3.650	3.760	34	35	2-5530843-3
			△	5.086	.187	4.900	5.100	5.150	5.260	49	50	2-5530843-2
			△	4.086	.187	3.900	4.100	4.150	4.260	39	40	2-5530843-0
			△	3.086	.187	2.900	3.100	3.150	3.260	29	30	1-5530843-8
			△	2.586	.187	2.400	2.600	2.650	2.760	24	25	1-5530843-6
			△	4.386	.125	4.200	4.400	4.450	4.560	42	43	1-5530843-0
			△	3.686	.125	3.500	3.700	3.750	3.860	35	36	5530843-8
			△	3.086	.125	2.900	3.100	3.150	3.260	29	30	5530843-7
			△	2.886	.125	2.700	2.900	2.950	3.060	27	28	5530843-6
			△	2.586	.125	2.400	2.600	2.650	2.760	24	25	5530843-5
			△	2.286	.125	2.100	2.300	2.350	2.460	21	22	5530843-4
			△	1.886	.125	1.700	1.900	1.950	2.060	17	18	5530843-3
			△	1.586	.125	1.400	1.600	1.650	1.760	14	15	5530843-2
			△	1.286	.125	1.100	1.300	1.350	1.460	11	12	5530843-1
	OMITTED PIN	BOARD RETENTION FEATURE LOCATION (SEE DETAIL Y)	FINISH	Z	J	D	C	B	A	X	NO. OF DUAL POSITIONS	PART NUMBER

△ OBSOLETE

THIS DRAWING IS A CONTROLLED DOCUMENT. DWN: JAW/GRZYBOWSKI 300C12009
 CHS: E. HOWARD
 APPV: M. PERCHERK 300C12009

STE TE Connectivity

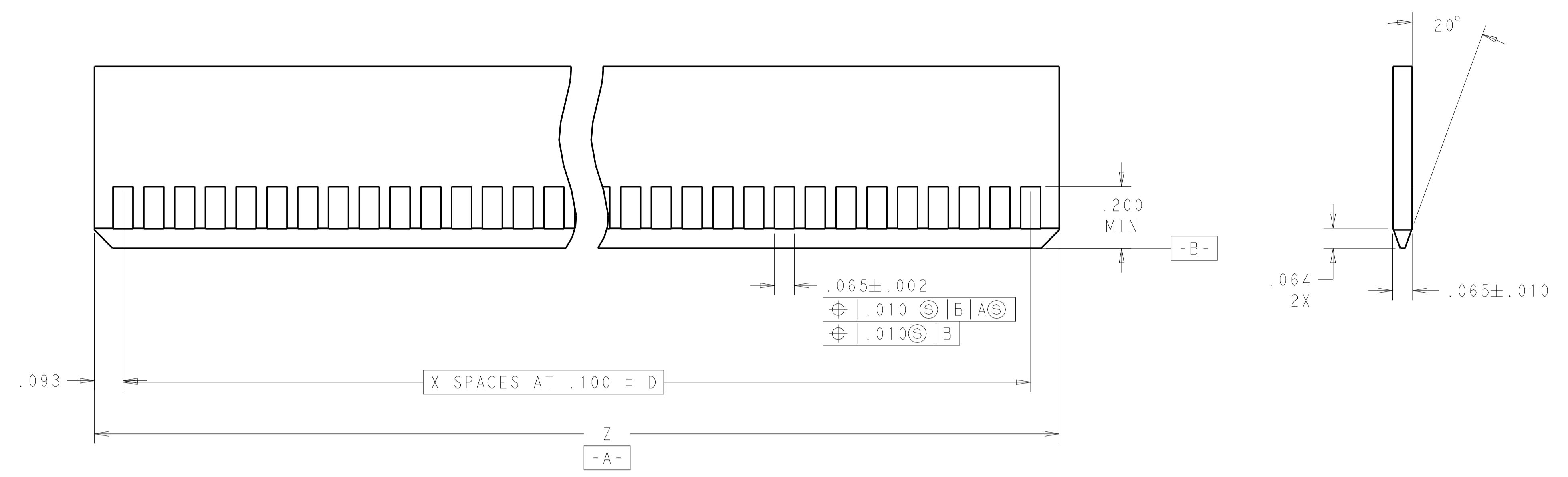
NAME: CONNECTOR ASSEMBLY
 STANDARD EDGE II,
 .100 CENTERLINE

PRODUCT SPEC: 108-9039
 APPLICATION SPEC: 114-13018

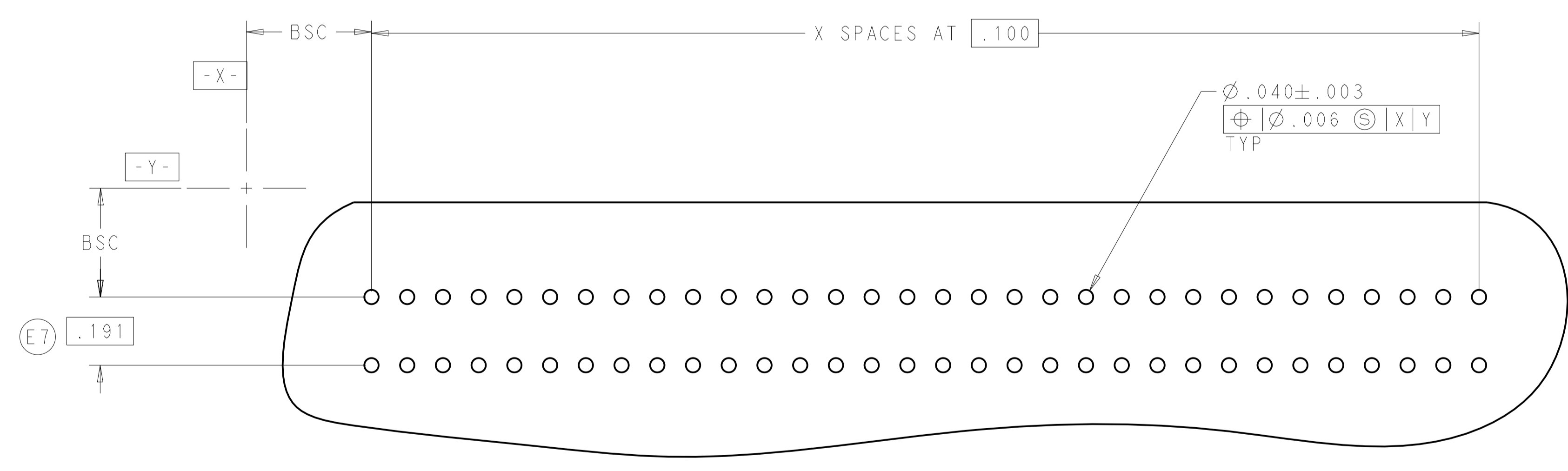
SIZE: 114-13018
 WEIGHT: -
 CUSTOMER DRAWING

SCALE: 15:4 SHEET 4 OF 5 REV: G1

REVISIONS				
P.	LTN.	DESCRIPTION	DATE	APVD.
-	-	SEE SHEET 1	-	-



RECOMMENDED MAIN BOARD EDGE CONFIGURATION



RECOMMENDED PC BOARD HOLE LAYOUT

THIS DRAWING IS A CONTROLLED DOCUMENT.		DWN: AWF/GRZYBOWSKI	30OCT2009	TE Connectivity
DIMENSIONS: INCHES		CHK: E. HOWARD	APVD: M. PERCHERK	
DIMENSIONS: INCHES 0 PLC ± 2 PLC ±.005 3 PLC ± 4 PLC ± ANGLES ±.2		TOLERANCES UNLESS OTHERWISE SPECIFIED: PRODUCT SPEC: 108-9039 APPLICATION SPEC: 114-13018		NAME: CONNECTOR ASSEMBLY STANDARD EDGE II, .100 CENTERLINE SIZE: A1 CAGE CODE: 5530843
MATERIAL: -		WEIGHT: -		RESTRICTED TO: - SCALE: 15:4 SHEET: 5 OF 5 REV: G1
CUSTOMER DRAWING				