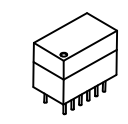
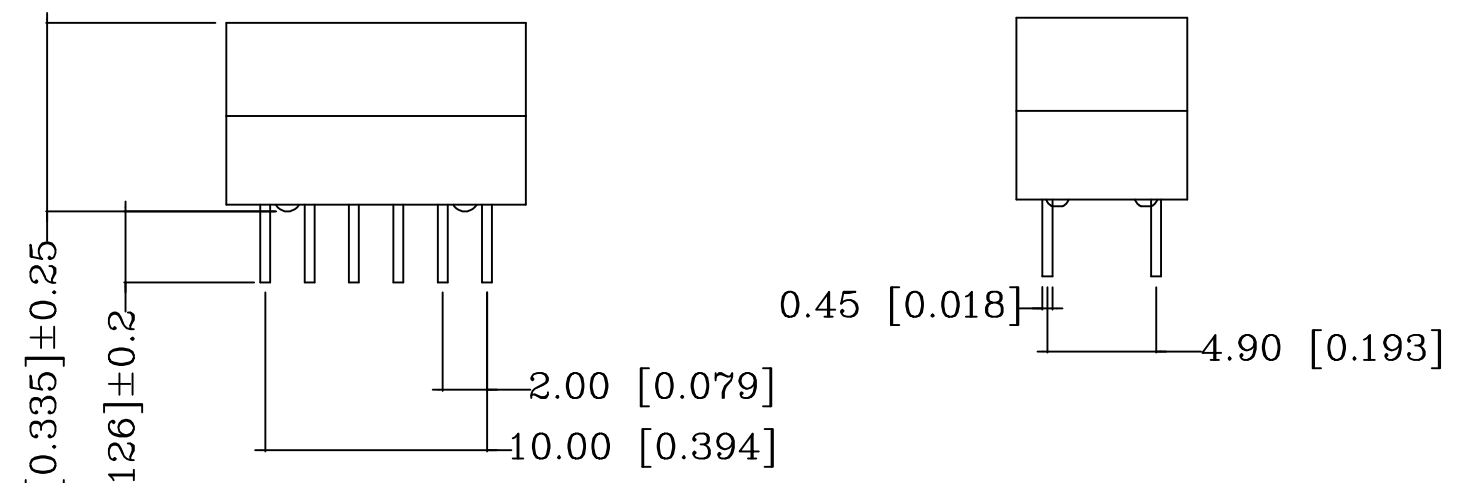
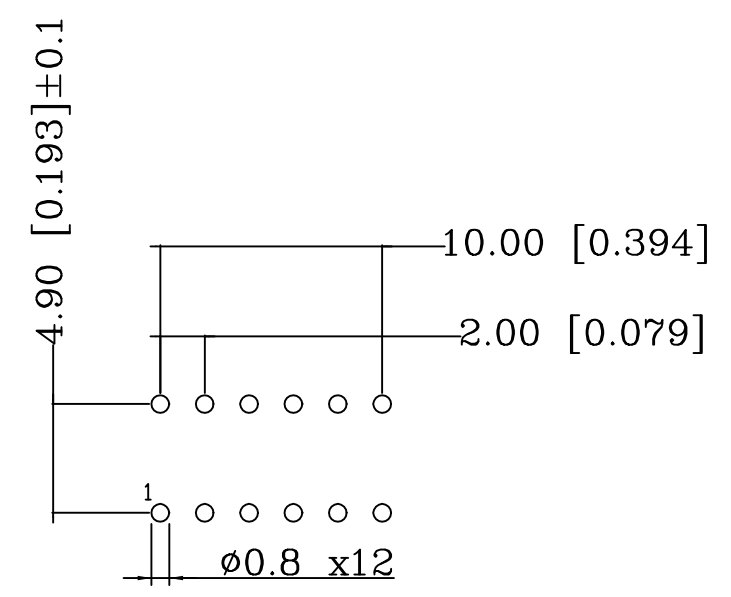


THIS DRAWING IS UNPUBLISHED  
 RELEASED FOR PUBLICATION - ,2018.  
 © COPYRIGHT - 2017 by TE Connectivity Germany GmbH ALL RIGHTS RESERVED.

REVISIONS				
P	LTR	DESCRIPTION	DATE	DWN APVD
	A1	NEW RELEASE	20DEC2018	GCM JDB

- ⚠ Material:  
 COVER : Black PF2A5-151J, UL-94-V0  
 HEADER : Black PF2A5-151J, UL-94-V0  
 SOLDER PIN: CP WIRE  
 SOLDER PIN PLATING: 4 μm (157 μ inch) MIN. 100% TIN,  
 8 μm (315 μ inch) MIN. COPPER OVER ALL
- THE PART IS RECOMMENDED FOR WAVE SOLDERING PROCESS  
 SOLDERING: TEMPERATURE +260 ±5 °C, 10 ±1 s
  - OPERATING TEMPERATURE: T= -40 °C TO +85 °C
  - STORAGE TEMPERATURE: T= -40 °C TO +85 °C
  - DC CURRENT/VOLTAGE RATING-PSE PINS: 720mA @57V(CONTINUOUS)
  - MEET IEEE 802.3at REQUIRMENT
- ⚠ UNLESS OTHERWISE SPECIFIED, SEE TABLE FOR ALL DIMENSIONS TOLERANCES
- PACKAGING: TUBE ACCORDING TO PACKAGING SPECIFICATION 107-18128

SUGGESTED PCB LAYOUT



1:1

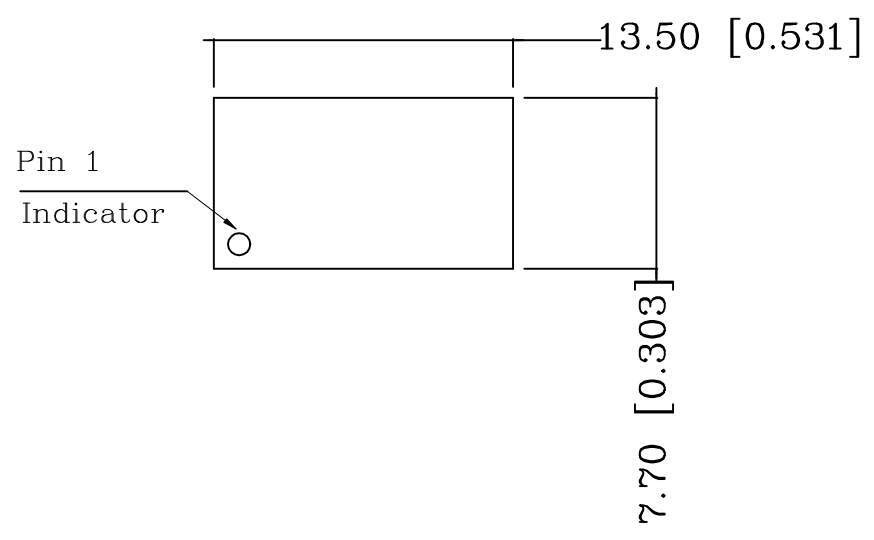


TABLE OF TOLERANCE (mm)	
RANGE	TOLERANCE
0-10	±0.15
>10-40	±0.25
>40-70	±0.30
>70	±0.40

THIS DRAWING IS A CONTROLLED DOCUMENT.		DWN	20DEC2018		 TE Connectivity
		CHK	20DEC2018		
		APVD	20DEC2018		
		PRODUCT SPEC	108-94693		
DIMENSIONS: mm [INCHES]		TOLERANCES UNLESS OTHERWISE SPECIFIED:		NAME DISCR.ETH.MAG. 10/100 SINGLE THT POE	
		0 PLC ± - 1 PLC ± - 2 PLC ± - 3 PLC ± - 4 PLC ± - ANGLES ± -		APPLICATION SPEC 114-94555	
MATERIAL 1		FINISH 1		SIZE A3	
		WEIGHT CUSTOMER DRAWING		CAGE CODE 00779	
				DRAWING NO 5-2337823-2	
				RESTRICTED TO -	
				SCALE 4:1	
				SHEET 1 of 2	
				REV A1	

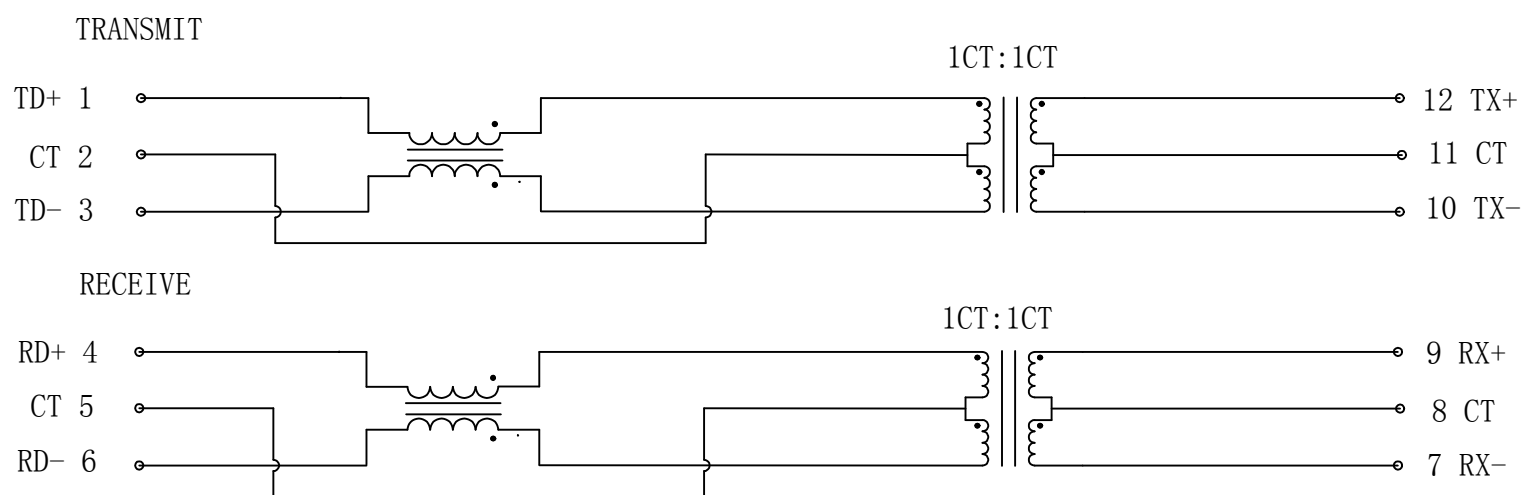
THIS DRAWING IS UNPUBLISHED RELEASED FOR PUBLICATION - ,2018.

© COPYRIGHT - 2017 by TE Connectivity Germany GmbH ALL RIGHTS RESERVED.

REVISIONS

P	LTR	DESCRIPTION	DATE	DWN	APVD
-	-	SEE SHEET 1	-	-	-

CIRCUIT DIAGRAM



Electrical Specifications @ 25 °C (Unless other specified meet IEEE 802.3 Specification)		
Turn Ratio	1CT:1CT ±2%	
Inductance (OCL) @100kHz/0.1V with 8mA DC Bias	350 µH min.	
Insertion Loss	0.1-100MHz	-1 dB max.
	1-30MHz	-18 dB min.
Return Loss (Zout = 100 OHMS)	40MHz	-14.4 dB min.
	50MHz	-13.1 dB min.
	80MHz	-12 dB min.
Crosstalk	30MHz	-40 dB min.
	60MHz	-35 dB min.
	100MHz	-30 dB min.
DCMR	30MHz	-40 dB min.
	60MHz	-35 dB min.
	100MHz	-30 dB min.
Isolation Voltage (Input - Output)	1500 Vrms	



CONTROL CODE

DATE CODE

"0213"

YY-YEAR

WW-WEEK

THIS DRAWING IS A CONTROLLED DOCUMENT.		DWN GANESH C M 20DEC2018	TE Connectivity NAME DISCR.ETH.MAG. 10/100 SINGLE THT POE	
DIMENSIONS: mm [INCHES]		CHK A.C. NGOUMGANG 20DEC2018		
TOLERANCES UNLESS OTHERWISE SPECIFIED:		APVD J. DE BRUIJN 20DEC2018	PRODUCT SPEC	
0 PLC ± - 1 PLC ± - 2 PLC ± - 3 PLC ± - 4 PLC ± - ANGLES ± -		108-94693	APPLICATION SPEC	
MATERIAL		114-94555	RESTRICTED TO	
FINISH		1	SIZE A3	CAGE CODE 00779
		CUSTOMER DRAWING	DRAWING NO 5-2337823-2	REV A1
			SCALE 4:1	SHEET 2 of 2