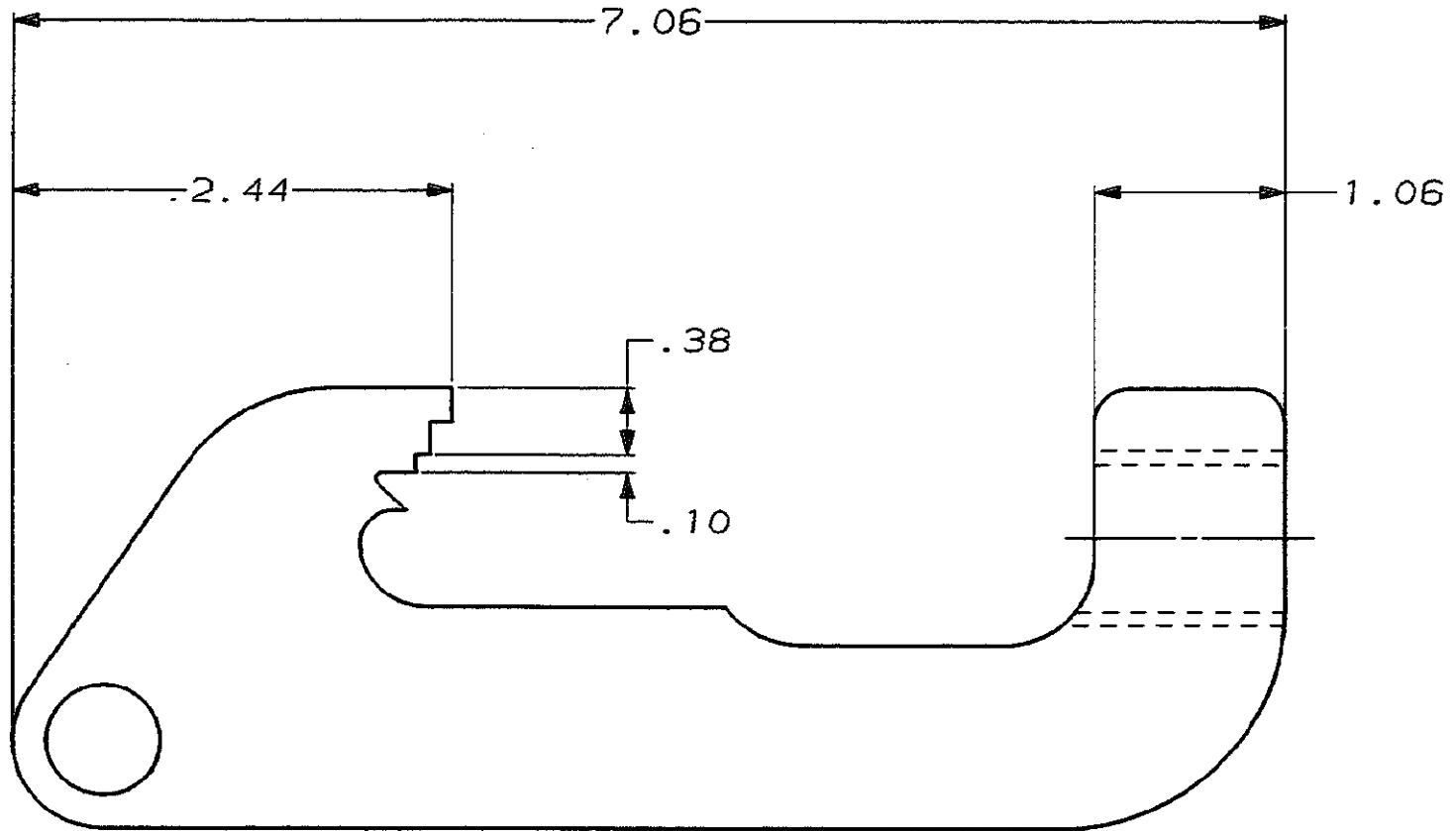
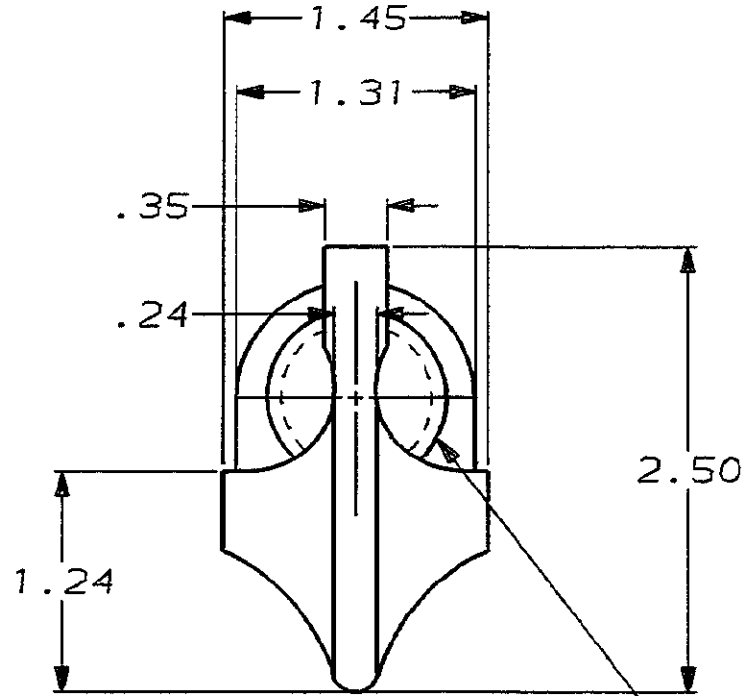


PART NUMBER	REV	FIRST USED
C-47667-8-1	0	69437

THIS DRAWING IS A CONTROLLED DOCUMENT FOR AMP INCORPORATED. IT IS SUBJECT TO CHANGE AND THE CONTROLLING ENGINEERING ORGANIZATION SHOULD BE CONTACTED FOR THE LATEST REVISION.



1-12 UNF-3B  
TRIPLE LEAD THREAD

FOR U.L. APPROVAL ONLY

THIS INFORMATION IS CONFIDENTIAL AND IS DISCLOSED TO YOU ON CONDITION THAT NO FURTHER DISCLOSURE IS MADE BY YOU TO OTHER THAN AMP PERSONNEL WITHOUT WRITTEN AUTHORIZATION FROM AMP INCORPORATED, HARRISBURG, PA.

LOC	A
DIST	-

P	F	LTR	REVISION RECORD	APP	DATE

C-47667-8

DWG SIZE	PART NO	DESCRIPTION	ITEM NO
← REVISION OF EACH ASSY NO (WHEN BLANK, USE DWG REVISION)			
QTY REQD PER ASSY		PARTS LIST	
DIMENSIONS IN INCHES. DO NOT SCALE PRINT. TOLERANCES UNLESS OTHERWISE SPECIFIED: 2 PLC DEC ±.02 3 PLC DEC ±- 4 PLC DEC ±- ANGLES ±- SURF TEXTURE: √ REMOVE BURRS, BREAK SHARP EDGES R.015 MAX		MATL 100-52 ALLOY STEEL	HT TR Rc 42-46 FIN 112-157 BLACKEN
DR M. UNGER	5/6/93	APP <i>[Signature]</i>	REL <i>[Signature]</i>
NAME AMPACT HEAD FOR TOOL NO 69437			MACHINE REF AMPACT
SCALE 1:1	DWG NO B	C-47667-8	SHEET 1 OF 1 REV 0